

DEWALT®



**Instruction Manual
Guide D'utilisation
Manual de instrucciones**

D36000, D36000S

10" (254 mm) High Capacity Wet Tile Saw

Scie à carrelage humide haute capacité 254 mm (10 po)

Sierra de Azulejos Húmedos de Alta Capacidad de 254 mm (10")

www.DEWALT.com

**If you have questions or comments, contact us.
Pour toute question ou tout commentaire, nous contacter.
Si tiene dudas o comentarios, contáctenos.**

1-800-4-DEWALT

English (**original instructions**)

1

Français (*traduction de la notice d'instructions originale*)

10

Español (*traducido de las instrucciones originales*)

20

Definitions: Safety Alert Symbols and Words

This instruction manual uses the following safety alert symbols and words to alert you to hazardous situations and your risk of personal injury or property damage.

DANGER: Indicates an imminently hazardous situation which, if not avoided, **will** result in **death or serious injury**.

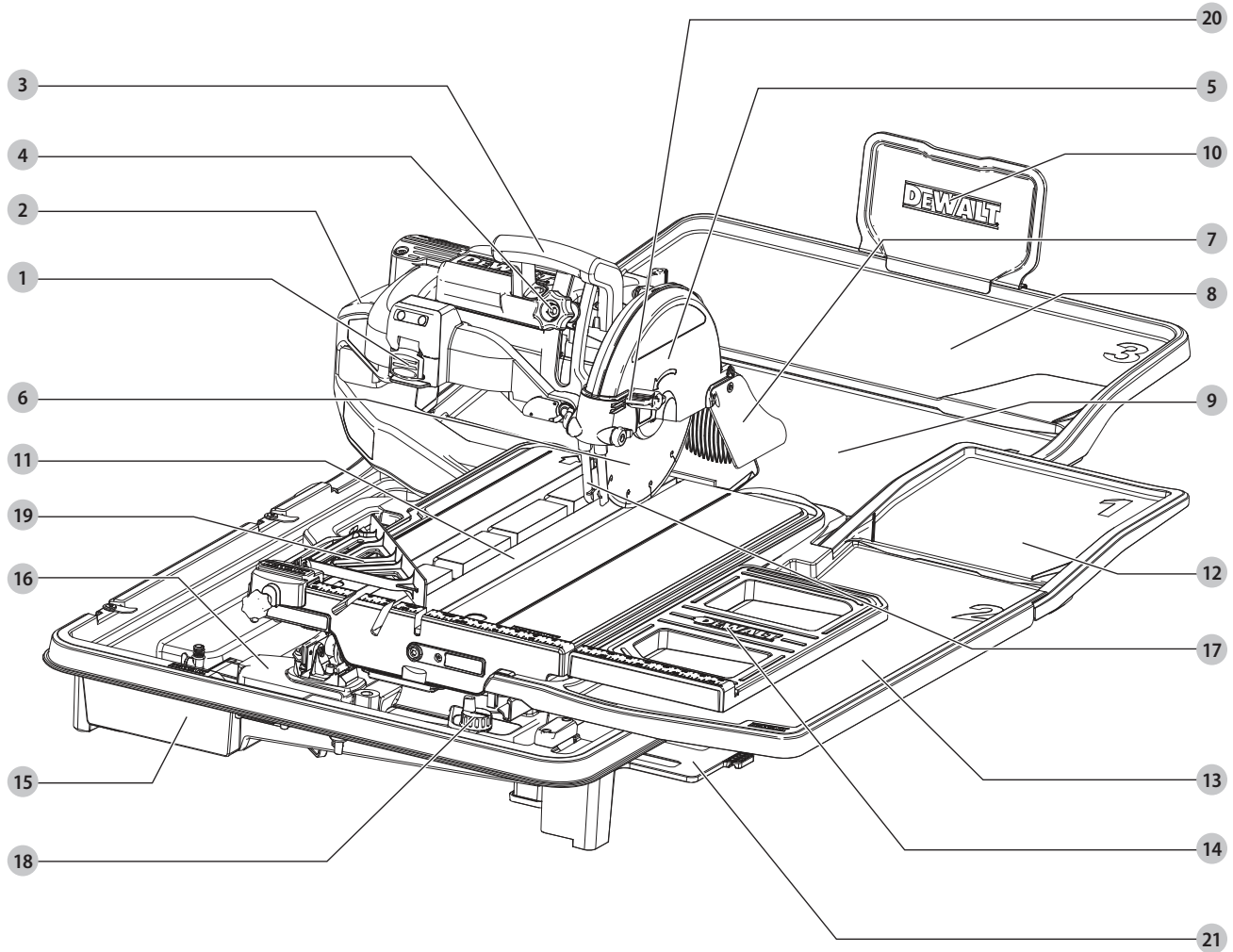
WARNING: Indicates a potentially hazardous situation which, if not avoided, **could** result in **death or serious injury**.

CAUTION: Indicates a potentially hazardous situation which, if not avoided, **may** result in **minor or moderate injury**.

(Used without word) Indicates a safety related message.

NOTICE: Indicates a practice **not related to personal injury** which, if not avoided, **may** result in **property damage**.

Fig. A



- 1 On/Off switch
- 2 Motor arm assembly
- 3 Plunge handle
- 4 Head lock knob
- 5 Cutting wheel cover
- 6 Cutting wheel
- 7 Rubber shroud
- 8 Small rear water attachment
- 9 Large rear water attachment
- 10 Splash guard
- 11 Cutting cart assembly
- 12 Small cutting cart water attachment
- 13 Large cutting cart water attachment
- 14 Cutting cart side attachment
- 15 Water pan
- 16 Saw frame assembly
- 17 Water nozzles
- 18 Cutting cart stop knob
- 19 Edge guide
- 20 Cutting wheel cover knob
- 21 Storage

WARNING: Read all safety warnings and all instructions. Failure to follow the warnings and instructions may result in electric shock, fire and/or serious injury.

WARNING: To reduce the risk of injury, read the instruction manual.

If you have any questions or comments about this or any product, call DeWALT toll free at: (1-800-433-9258).

10" (254 mm) High Capacity Wet Tile Saw D36000, D36000S

IMPORTANT SAFETY WARNINGS AND INSTRUCTIONS

⚠️ WARNING: To reduce risk of injury:

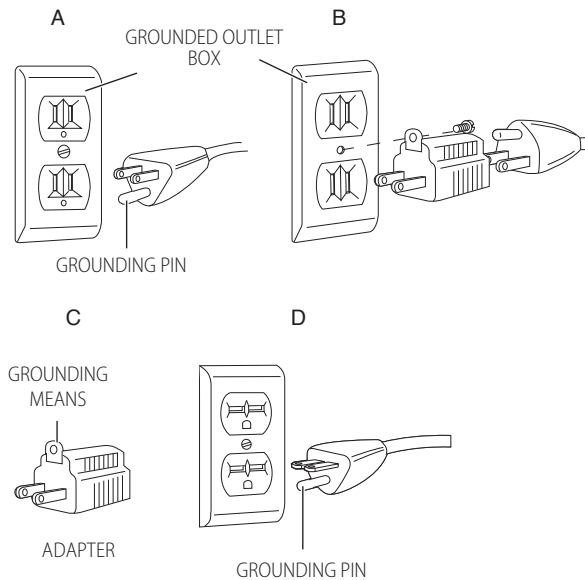
- Before any use, be sure everyone using this tool reads and understands all safety instructions and other information contained in this manual.
 - Save these instructions and review frequently prior to use and in instructing others.
1. **KEEP GUARDS IN PLACE** and in working order.
 2. **REMOVE ADJUSTING KEYS AND WRENCHES.** Form habit of checking to see that keys and adjusting wrenches are removed from tool before turning it on.
 3. **KEEP WORK AREA CLEAN.** Cluttered areas and benches invite accidents.
 4. **DON'T USE IN DANGEROUS ENVIRONMENT.** Don't use power tools in damp or wet locations, or expose them to rain. Keep work area well lighted.
 5. **KEEP CHILDREN AWAY.** All visitors should be kept safe distance from work area.
 6. **MAKE WORKSHOP KID PROOF** with padlocks, master switches, or by removing starter keys.
 7. **DON'T FORCE TOOL.** It will do the job better and safer at the rate for which it was designed.
 8. **USE RIGHT TOOL.** Don't force tool or attachment to do a job for which it was not designed.
 9. **USE PROPER EXTENSION CORD.** Make sure your extension cord is in good condition. When using an extension cord, be sure to use one heavy enough to carry the current your product will draw. An undersized cord will cause a drop in line voltage resulting in loss of power and overheating. Minimum Gauge for Cord Sets shows the correct size to use depending on cord length and nameplate ampere rating. If in doubt, use the next heavier gauge. The smaller the gauge number, the heavier the cord.
 10. **WEAR PROPER APPAREL.** Do not wear loose clothing, gloves, neckties, rings, bracelets, or other jewelry which may get caught in moving parts. Non-slip footwear is recommended. Wear protective hair covering to contain long hair.
 11. **ALWAYS USE SAFETY GLASSES.** Also use face or dust mask if cutting operation is dusty. Everyday eyeglasses only have impact resistant lenses, they are NOT safety glasses.
 12. **SECURE WORK.** Use clamps or a vise to hold work when practical. It's safer than using your hand and it frees both hands to operate tool.
 13. **DON'T OVERREACH.** Keep proper footing and balance at all times.
 14. **MAINTAIN TOOLS WITH CARE.** Keep tools sharp and clean for best and safest performance. Follow instructions for lubricating and changing accessories.
 15. **DISCONNECT TOOLS** before servicing; when changing accessories, such as blades, bits, cutters, and the like.
 16. **REDUCE THE RISK OF UNINTENTIONAL STARTING.** Make sure switch is in off position before plugging in.
 17. **USE RECOMMENDED ACCESSORIES.** Consult the owner's manual for recommended accessories. The use of improper accessories may cause risk of injury to persons.
 18. **NEVER STAND ON TOOL.** Serious injury could occur if the tool is tipped or if the cutting tool is unintentionally contacted.
 19. **CHECK DAMAGED PARTS.** Before further use of the tool, a guard or other part that is damaged should be carefully checked to determine that it will operate properly and perform its intended function – check for alignment of moving parts, binding of moving parts, breakage of parts, mounting, and any other conditions that may affect its operation. A guard or other part that is damaged should be properly repaired or replaced.
 20. **DIRECTION OF FEED.** Feed work into a blade or cutter against the direction of rotation of the blade or cutter only.
 21. **NEVER LEAVE TOOL RUNNING UNATTENDED. TURN POWER OFF.** Don't leave tool until it comes to a complete stop.

Grounding Instructions (Fig. B)

- In the event of a malfunction or breakdown, grounding provides a path of least resistance for electric current to reduce the risk of electric shock. This tool is equipped with an electric cord having an equipment-grounding conductor and a grounding plug. The plug must be plugged into a matching outlet that is properly installed and grounded in accordance with all local codes and ordinances.
- Do not modify the plug provided – if it will not fit the outlet, have the proper outlet installed by a qualified electrician.
- Improper connection of the equipment-grounding conductor can result in a risk of electric shock. The conductor with insulation having an outer surface that is green with or without yellow stripes is the equipment-grounding conductor. If repair or replacement of the electric cord or plug is necessary, do not connect the equipment-grounding conductor to a live terminal.
- Check with a qualified electrician or service personnel if the grounding instructions are not completely understood, or if in doubt as to whether the tool is properly grounded.
- Use only 3-wire extension cords that have 3-prong grounding plugs and 3-pole receptacles that accept the tool's plug.
- Repair or replace damaged or worn cord immediately.

This tool should be grounded while in use to protect the operator from electric shock. The tool is equipped with a 3-conductor cord and 3-prong grounding type plug to fit the proper grounding type receptacle. The green (or green and yellow) conductor in the cord is the grounding wire. Never connect the green (or green and yellow) wire to a live terminal. If your unit is intended for use on less than 150 V, it has a plug that looks like that shown in sketch A. If it is for use on 150 to 250 V, it has a plug that looks like that shown in sketch D. An adapter, sketches B and C, is available for connecting sketch A type plugs to 2-prong receptacles. The green-colored rigid ear, lug, or the like, extending from the adapter must be connected to a permanent ground, such as a properly grounded outlet box. No adapter is available for a plug as shown in sketch D. ADAPTER SHOWN IN SKETCHES B AND C ARE NOT FOR USE IN CANADA.

Fig. B



⚠️ **WARNING:** To reduce the risk of electrocution, keep all connections dry and off the ground. Do not touch the plug with wet hands.

⚠️ **WARNING:** The saw and pump must be plugged into a GFCI protected receptacle. Test GFCI before each use. Do not use if GFCI fails.

⚠️ **WARNING:** Never use saw with salt water or a conductive fluid.

NOTE: Do not run the pump dry.

Additional Safety Rules for Wet Tile Saw

⚠️ **CAUTION:** Wear appropriate hearing protection during use. Under some conditions and duration of use, noise from this product may contribute to hearing loss.

⚠️ **CAUTION:** Do not connect unit to electrical power source until complete instructions are read and understood.

- **DON'T** operate saw without the cutting wheel cover in place.
- Clean tile saw after each use for optimal operation.
- Use safety equipment. Always wear eye protection. Dust mask, non-skid safety shoes, hard hat, or hearing protection must be used for appropriate conditions.
- Keep hands out of path of the cutting wheel. NEVER CUT A PIECE WHERE HAND WOULD BE 3" (76 mm) OR LESS FROM THE CUTTING WHEEL.
- Do not perform any operation freehand, that is without holding the workpiece firmly against the fence or edge guide.
- Never reach in back of the cutting wheel.
- **DON'T** - Cut dry. If the cutting wheel is not cooled with water, serious damage will occur. Dry cutting will increase exposure to harmful airborne dust.
- Turn off the tool and wait for the cutting wheel to stop before moving the workpiece or changing settings.
- To reduce risk of injury, return the cart to the full rear position after each cut.
- **DO** - Use cutting cart extension to support large tile.
- **DO** - Make certain the cutting wheel rotates in the correct direction as indicated by the arrow on the cutting wheel.
- **DO** - Be sure all clamp handles and knobs are tight before starting any operation.
- **DO** - Be sure all cutting wheel and clamp washers are clean and recessed sides of collars are against the cutting wheel. Tighten arbor nut securely.
- **DO** - Keep the cutting wheel properly aligned.
- **DO** - Keep the motor air slots free of chips and dirt.
- **DO** - Always empty water from the reservoir and disconnect from the power source before transporting. Water can splash into electrical components.
- **DO** - Keep hands out of the path of the cutting wheel.
- **DO** - Shut off power, disconnect cord from power source and wait for the cutting wheel to stop before servicing, adjusting tool or changing cutting wheel.
- **DON'T** - Attempt to operate on anything but designated voltage. Incorrect voltage may result in shock, fire, or unpredictable operation.
- **DON'T** - Operate unless all knobs and clamps are tight.
- **DON'T** - Use cutting wheels larger or smaller than those which are recommended.
- **DON'T** - Force cutting action. Allow motor to reach full speed before cutting. Stalling or partial stalling of motor can cause major damage.
- **DON'T** - Use metal cutting abrasive wheels. The excessive heat and abrasive particles generated by them will damage the saw.
- **DO** - Use continuous rim wheels only, no serrated edges or toothed cutting wheels.
- **DON'T** - Allow anyone to stand behind saw.
- **DON'T** - Place either hand in the cutting wheel area when the saw is connected to the power source.

- **DON'T** - Use cutting wheels rated less than 5000 R.P.M.
- **DON'T** - Place hands closer than 3" (76 mm) from the cutting wheel.
- **DON'T** - Reach behind or underneath the saw unless it is turned off and unplugged.
- **DON'T** - Move either hand from saw or workpiece until the cutting wheel has stopped.
- **SECURE WORK.** Always place tile flat on cart and securely against fence.
- NEVER USE A PAN HEATER OR OTHER HEAT SOURCE FOR HEATING WATER. Damage to the tool, fire or personal injury could result."
- If the plug or receptacle does get wet, **DON'T** unplug the cord. Disconnect the fuse or circuit breaker that supplies power to the tool. Then unplug and examine for presence of water in the receptacle.

Additional Safety Information

- ⚠ **WARNING:** Never modify the power tool or any part of it. Damage or personal injury could result.
- ⚠ **WARNING: ALWAYS** use safety glasses. Everyday eyeglasses are NOT safety glasses. Also use face or dust mask if operation is dusty. ALL USERS AND BYSTANDERS MUST ALWAYS WEAR CERTIFIED SAFETY EQUIPMENT:
 - ANSI Z87.1 eye protection (CAN/CSA Z94.3),
 - ANSI S12.6 (S3.19) hearing protection,
 - NIOSH/OSHA/MSHA respiratory protection.
- ⚠ **WARNING:** Some dust created by power sanding, sawing, grinding, drilling, and other construction activities contains chemicals known to the State of California to cause cancer, birth defects or other reproductive harm. Some examples of these chemicals are:
 - lead from lead-based paints,
 - crystalline silica from bricks and cement and other masonry products, and
 - arsenic and chromium from chemically-treated lumber.

Your risk from these exposures varies, depending on how often you do this type of work. To reduce your exposure to these chemicals: work in a well ventilated area, and work with approved safety equipment, such as those dust masks that are specially designed to filter out microscopic particles.
- **Avoid prolonged contact with dust from power sanding, sawing, grinding, drilling, and other construction activities. Wear protective clothing and wash exposed areas with soap and water.** Allowing dust to get into your mouth, eyes, or lay on the skin may promote absorption of harmful chemicals.
- ⚠ **WARNING:** Use of this tool can generate and/or disperse dust, which may cause serious and permanent respiratory or other injury. Always use NIOSH/OSHA approved respiratory protection appropriate for the dust exposure. Direct particles away from face and body.
- ⚠ **WARNING: Always wear proper personal hearing protection that conforms to ANSI S12.6 (S3.19) during use.** Under some conditions and duration of use, noise from this product may contribute to hearing loss.
- **Air vents often cover moving parts and should be avoided.** Loose clothes, jewelry or long hair can be caught in moving parts.
- **An extension cord must have adequate wire size (AWG or American Wire Gauge) for safety.** The smaller the gauge number of the wire, the greater the capacity of the cable, that is, 16 gauge has more capacity than 18 gauge. An undersized cord will cause a drop in line voltage resulting in loss of power and overheating. When using more than one extension to make up the total length, be sure each individual extension contains at least the minimum wire size. The following table shows the correct size to use depending on cord length and nameplate ampere rating. If in doubt, use the next heavier gauge. The lower the gauge number, the heavier the cord.

Minimum Gauge for Cord Sets					
Volts		Total Length of Cord in Feet (meters)			
120V		25 (7.6)	50 (15.2)	100 (30.5)	150 (45.7)
240V		50 (15.2)	100 (30.5)	200 (61.0)	300 (91.4)
Ampere Rating More Than	Not More Than	American Wire Gauge			
		18	16	14	12
0	6	18	16	16	14
6	10	18	16	14	12
10	12	16	16	14	12
12	16	14	12	Not Recommended	

The label on your tool may include the following symbols. The symbols and their definitions are as follows:

- V volts
- Hz hertz
- min minutes
- == or DC..... direct current
- Ⓛ Class I Construction (grounded)
- ... /min..... per minute
- BPM.....beats per minute
- IPM.....impacts per minute
- RPM.....revolutions per minute
- sfpm surface feet per minute
- SPM.....strokes per minute
- OPM.....oscillations per minute
- A.....amperes
- W.....watts
- ~ or AC..... alternating current
- ⎓ or AC/DC... alternating or direct current
- Ⓜ Class II Construction (double insulated)
- n₀ no load speed
- n rated speed
- Ⓧ earthing terminal
- ⚠ safety alert symbol
- ☠ visible radiation
- ⚠ avoid staring at light
- ☞ wear respiratory protection

- Ⓧ wear eye protection
- Ⓛ wear hearing protection
- Ⓜ read all documentation
- IPXX IP symbol

Motor

Be sure your power supply agrees with the nameplate marking. Voltage decrease of more than 10% will cause loss of power and overheating. These tools are factory tested; if this tool does not operate, check power supply.

- Always plug saw and pump into a GFCI receptacle.
- Always plug extension cord into a GFCI receptacle.
- Use only extension cords that are intended for outdoor use. These extension cords are identified by a marking "Acceptable for use with outdoor appliance; store indoors while not in use."
- Use only extension cords having an electrical rating not less than the rating of the product.
- Do not use damaged extension cords. Examine extension cord before using and replace if damaged.
- Do not abuse extension cords and do not yank on any cord to disconnect.
- Keep cord away from heat and sharp edges.
- Always disconnect the extension cord from the receptacle before disconnecting the product from the extension cord.

Intended Use

This wet tile saw is designed for professional cutting a variety of natural stone and porcelain tiles and other tile type applications.

DO NOT cut wood, metal or plastic.

DO NOT use under wet conditions or in presence of flammable liquids or gases.

DO NOT let children come into contact with the tool. Supervision is required when inexperienced operators use this tool.

Specifications

Voltage	120 V
Amps	15A
RPM	4200
Depth of cut	3-1/8" (80 mm)
Miter angles	22.5° and 45°
Cutting wheel sizes	7" (178 mm), 8" (203 mm), 9" (228 mm) and 10" (254 mm) Continuous rim cutting wheels and 6" (152 mm) Profile wheel

ASSEMBLY AND ADJUSTMENTS

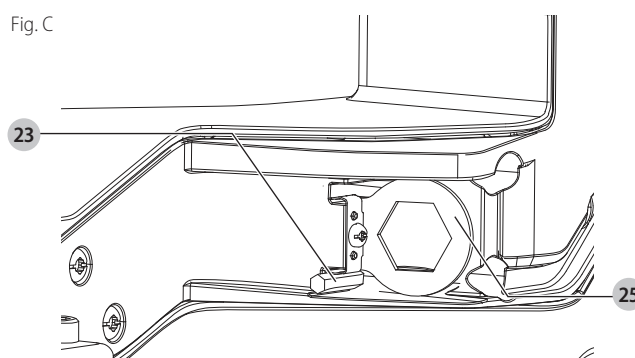
⚠ **WARNING: To reduce the risk of serious personal injury, turn unit off and disconnect it from power source before making any adjustments or removing/installing attachments or accessories.** An accidental start-up can cause injury.

Assembly

Wrench Storage (Fig. A, C)

Your wet tile saw comes supplied with the two wrenches you will need for assembly. A hex wrench **23** and a cutting wheel wrench **25** are stored at the back of the motor arm assembly **2**.

Fig. C



Motor Arm Assembly (Fig. A, C-E)

1. Place the water pan **15** on a flat, stable surface, or on the stand.
2. Place saw frame assembly **16** in the water pan **15**.

NOTE: Make sure the front of the saw frame assembly sits beneath the water pan bracket **53** to ensure a secure fit (Fig. D).
3. Using the supplied hex wrench **23** remove the screws **19** from the saw frame assembly.
4. Place motor arm assembly **2** on the saw frame assembly (Fig. E).
5. Secure the saw head by installing two of the screws **19** into the holes closest to the rail. Tighten the screws with the hex wrench provided. Install the other four screws in the other four holes and tighten.

Fig. D

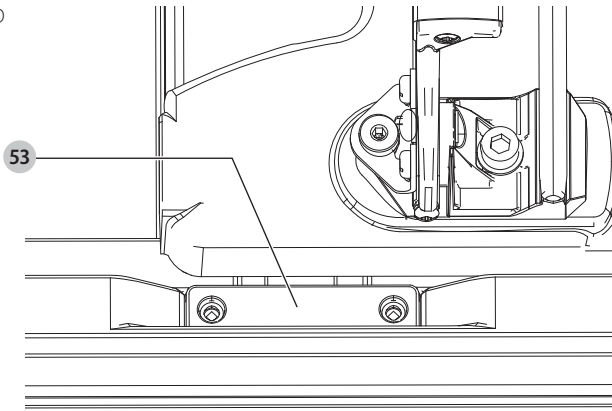
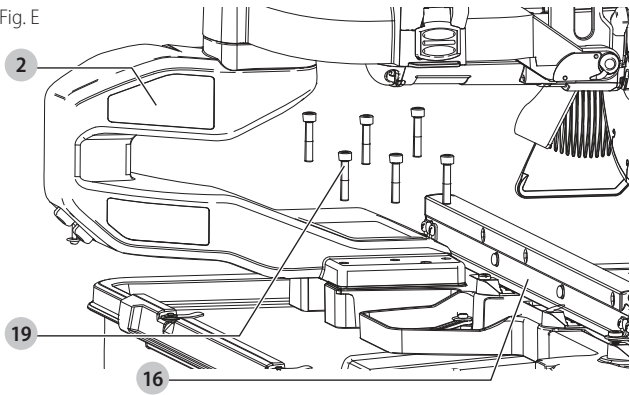


Fig. E



Attaching the Cutting Cart (Fig. F, G, Y)

1. Turn the cutting cart stop knob **18** into the unlock position (Refer to **Cutting Cart Stop Knob**) and slide the cutting cart onto the rails.
2. Align the arrow on the rear of the cutting cart **11** with the arrow on the rail on the left of the saw frame assembly **16**.
3. Slide the cutting cart assembly onto the rail system clearing the cutting cart stop knob **18** with the rollers.
4. Rotate the cutting cart stop knob into either the first or second position to keep the cutting cart on the rails during use. Refer to **Cutting Cart Stop Knob** for description of positions.

Fig. F

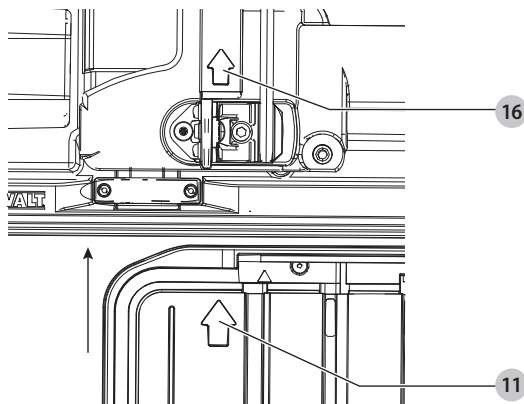
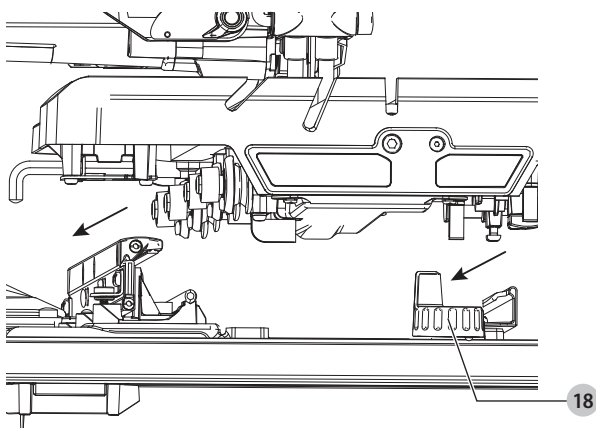


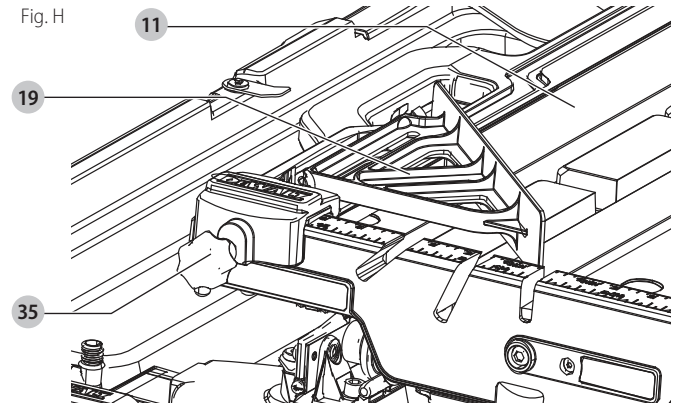
Fig. G



Attaching the Edge Guide (Fig. A, H)

1. Place edge guide **19** on the cutting cart assembly **11**.
2. Turn the edge guide lock **35** clockwise to tighten.

Fig. H



Assembling the Water Pump and Water Attachments (Fig. A, I, J)

1. Place the threaded fitting **26** onto the water pump **27**. Attach the clear water tube **28** to the threaded fitting (Fig. I).
NOTE: The ideal position for the water pump is in the front left corner of water pan, near the drain plug.
2. Insert the pump power cord into the socket **29** (Fig. J) or plug it into a separate GFCI protected receptacle.
3. Fill the pan with 5 gallons clean of water. The pump should be submerged.
NOTE: For longer pump life, always place the pump in a clean water source.
NOTE: The edge of the water pan **55** is the maximum fill line. DO NOT fill the water pan above the maximum water fill line.
4. Install the small rear water attachment **8**, large rear water attachment **9**, and splash guard **10** if needed.
5. Install the small cutting cart water attachment **12** and large cutting cart water attachment **13** if needed.

Fig. I

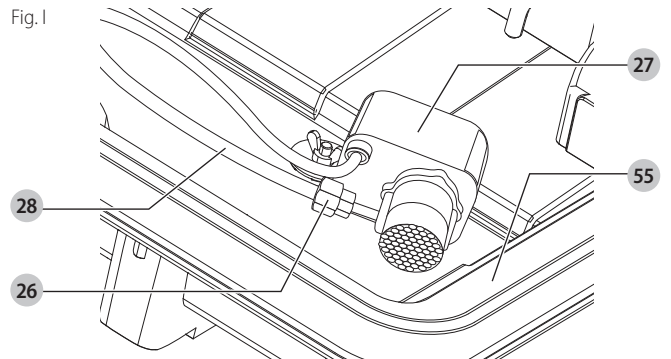
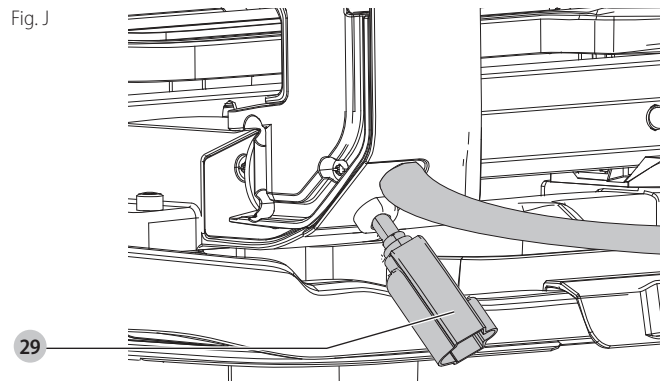


Fig. J



Installing the Cutting Wheel (Fig. A, C, K, P)

1. Loosen (do not remove) the cutting wheel cover knob **20** on the side of the cutting wheel cover **5**. Pull the rubber side flap back and lift the cover toward the rear of the saw.
2. Press spindle lock button **33**. Remove the cutting wheel nut **30** with cutting wheel wrench **25** provided. Remove outer flange **31**.
3. Install the cutting wheel **6** against the inner flange **32** with the rotational arrow facing the same way as on the rotational arrow on the cutting wheel cover. Press the spindle lock button **33** while tightening the cutting wheel nut.
4. Replace cover and tighten the cutting wheel cover knob **20**.
5. Adjust cutting wheel depth (Refer to **Depth of Cut**).

Fig. K

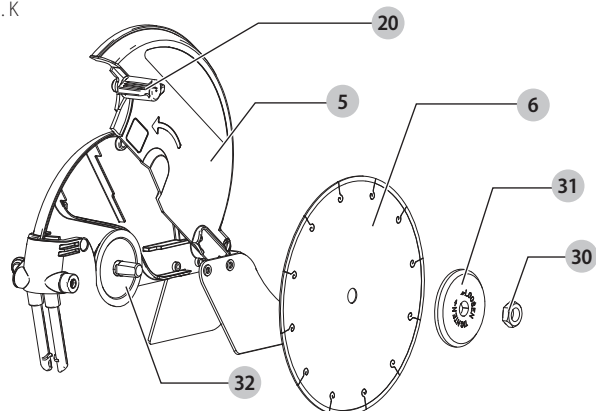


Fig. N

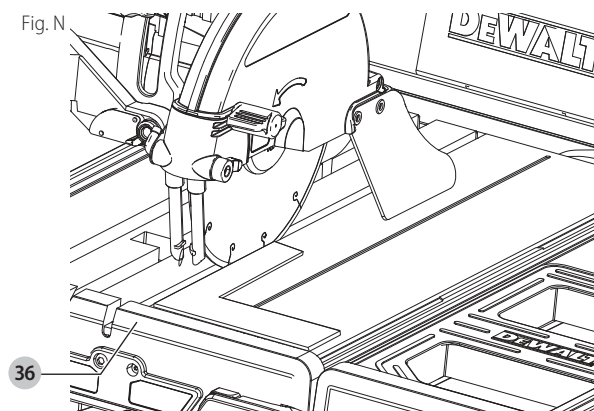
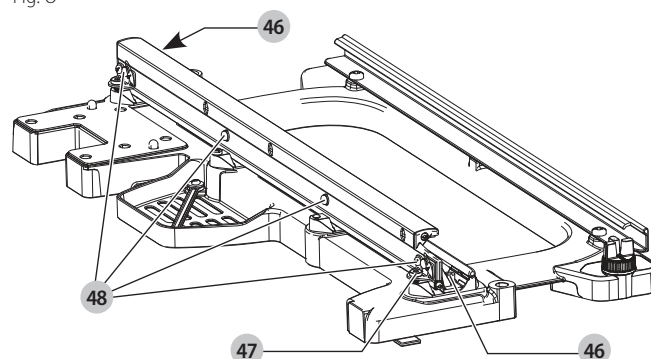


Fig. O



Adjustments

Cutting Wheel Square to Cart (Fig. L, M)

1. Open the cutting wheel cover **5** using the cutting wheel cover knob **20**.
2. Place a 90 degree square on the cutting cart against the cutting wheel.
3. If the gap is not consistent, loosen the bevel lock knob **41** and adjust the 0° bevel adjustment screw **44** with supplied wrench until the cutting wheel is 90° to the cart surface.
4. Ensure that the cutting wheel does not touch either side of the groove in the cutting cart by pushing the cart past the cutting wheel with saw turned off.

Fig. L

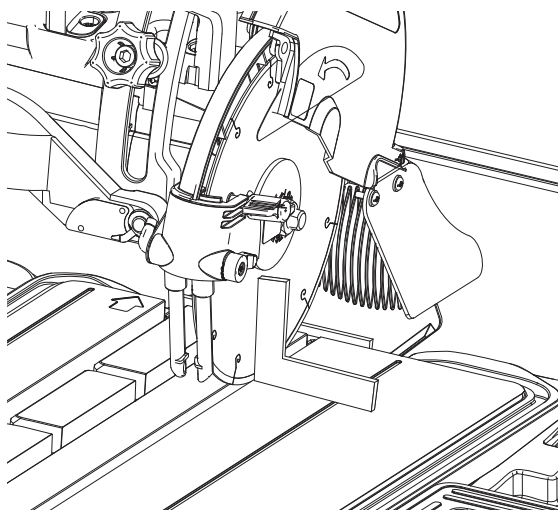
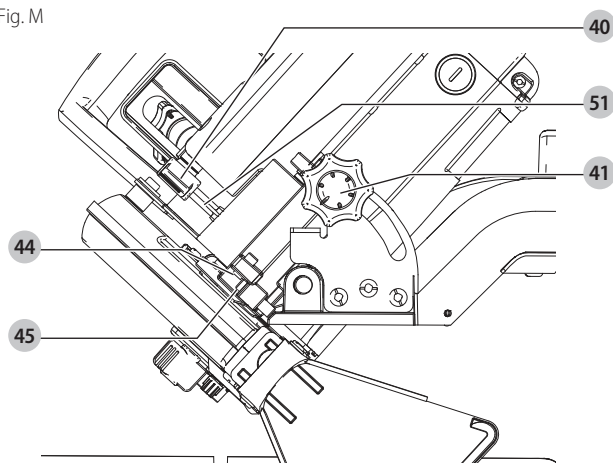


Fig. M



Cutting Wheel 45° to the Cart (Fig. M)

1. Loosen bevel locking knob and rotate the cutting head to 45°.
2. Put a 45° guide on the cutting cart surface next to the cutting wheel. If it is not at 45°, adjust the 45° bevel adjustment screw **45** with the supplied wrench until the cutting wheel is 45° to the cart surface.
3. With saw turned off, ensure that the cutting wheel does not touch either side of the groove in the cutting cart by pushing the cart past the cutting wheel.

Cutting Parallel to Cutting Cart (Fig. N, O)

1. Lay a 90° square flat on the cutting cart surface with one end against the cart fence **36**. Roll the cart forward so that the square is aligned to the cutting wheel, keeping the square against the fence.
2. If the cutting wheel is not 90° to the cart fence, the rail will need adjustment.
3. Loosen the four rail assembly mounting screws **48**.

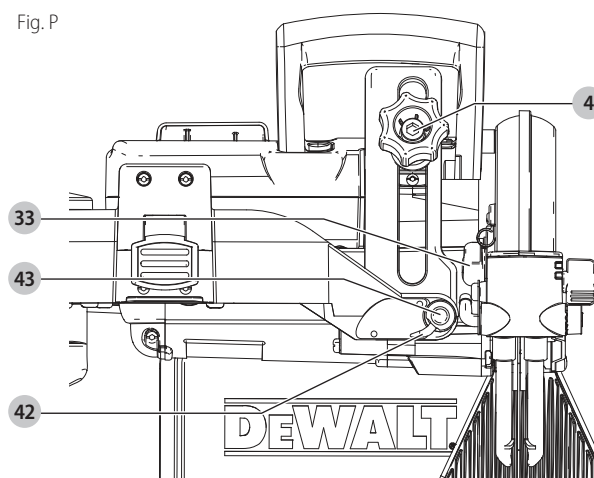
Cart Rolling Resistance (Rail Adjustment) (Fig. O)

1. Loosen the four rail height screws **48**.
2. Adjust the two rail height adjusters **47** until cart moves smoothly.
3. Tighten the four screws.

Bevel Pointer (Fig. P)

Loosen the 0° bevel pointer screw **43** and rotate the bevel pointer **42** to the correct location.

Fig. P



Depth of Cut (Fig. A, M)

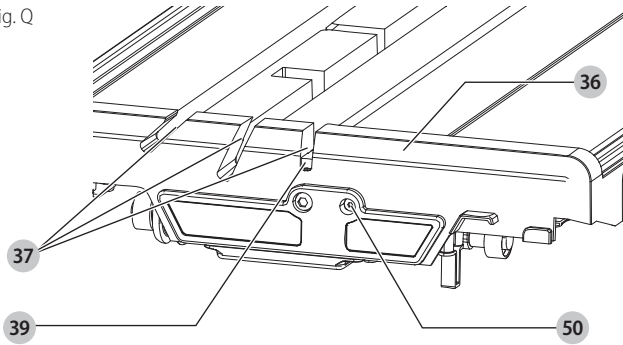
1. Loosen head lock knob **4**.
2. Adjust depth of cut knob **40** until the cutting wheel is at least 3/16" (5 mm) below the cart surface.
3. With the unit turned off, push the cart past the cutting wheel and ensure that the cutting wheel does not touch the cart.
4. Adjust the depth of cut knob and tighten the locking wing nut **51**, then the head lock knob **4**.

Cut Indicator (Fig. Q)

The cut indicator **39** assists in aligning long and diagonal cuts by showing where the cutting wheel will exit the cut. The cut indicator can be used multiple times before adjustment is necessary.

1. Loosen locking screw **50**.
2. Rotate cut indicator to expose uncut surface.
3. Tighten locking screw.

Fig. Q



OPERATION

⚠ WARNING: To reduce the risk of serious personal injury, turn unit off and disconnect it from power source before making any adjustments or removing/ installing attachments or accessories. An accidental start-up can cause injury.

Tool Placement (Fig. R–T)

- ⚠ WARNING:** When using the stand make sure to follow all the instructions and warnings listed in the stand manual.
- ⚠ WARNING:** When using large material ALWAYS make sure the pan stand bracket is being used to keep the saw from tipping forward off the stand.
- ⚠ CAUTION:** Tip Hazard. Excessive weight on the cart when the cart position knob is rotated to position 1 could cause a tip hazard. Maximum tile size that can be cut is 36"x36"x3/8" (90 cm x 90 cm x 1.0 cm) (refer to **Maximum Tile Size**). Do not cut tile or other materials that are thicker than 3/8" (1 cm) thick while the cutting cart stop knob is in position 1. When cutting narrow materials, rotate the cutting cart stop knob to position 2. This will allow the cart to stay on the rail when pulled toward the user in front of the cutting wheel.

1. Place stand (D24001, see **Accessories**) on a level surface.
 2. Place the saw into the stand as shown in Figure R. The pan has two brackets **53** that wrap around the front cross bar.
 3. Rotate the pan stand bracket **24** in place around the rear cross bar.
- If not using a stand, place saw on a level surface.

Fig. R

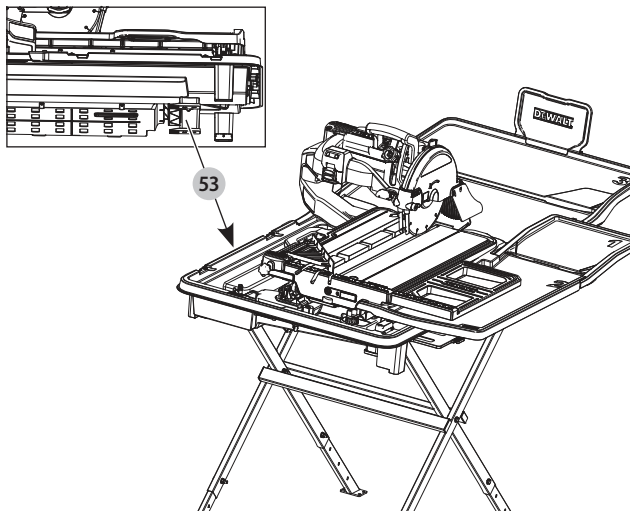


Fig. S

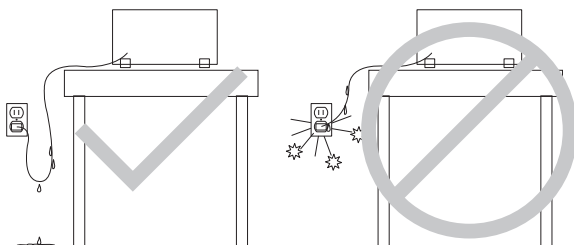
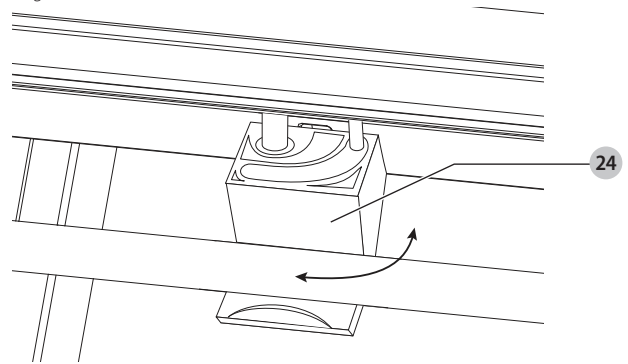


Fig. T



MAXIMUM TILE SIZES

Material type	Size (up to) inches (cm)	Max. weight	Cut	Cutting Cart Stop Knob Position
Tile	24x24x3/8 (60x60x1.0)	20 lbs. (9 kg)	Rip cut or Crosscut	2
Tile	36x36x3/8 (90x90x1.0)	45 lbs. (20 kg)	Rip or cross cut	1
Tile	37x8x3/8 (94x20x1.0)	10 lbs. (4.5 kg)	Rip cut	1
Tile	37x8x3/8 (94x20x1.0)	10 lbs. (4.5 kg)	Crosscut	2
Paver	12x12x2 (30.5x30.5x5.0)	26 lbs. (11.7 kg)	Rip cut or Crosscut	2
Brick	8.5x4x2.5 (21.5x10.2x6.5)	7 lbs. (3.1 kg)	Rip cut or Crosscut	2

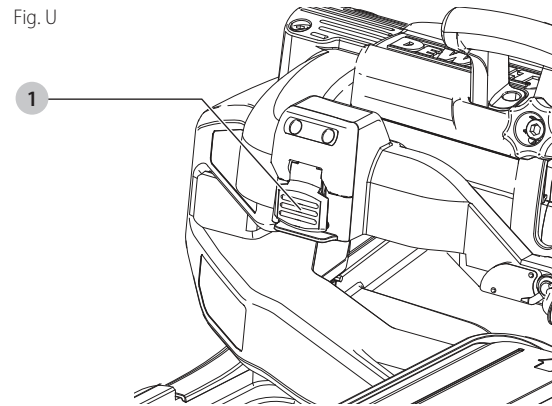
On/Off Switch (Fig. S, U)

⚠ WARNING: To avoid the possibility of the appliance plug or receptacle getting wet, position the wet tile saw to one side of a wall mounted receptacle to prevent water from dripping onto the receptacle or plug. The user should arrange a "drip loop" in the cord connecting the saw to a receptacle (Fig. S). The "drip loop" is that part of the cord below the level of the receptacle, or the connector if an extension cord is used, to prevent water traveling along the cord and coming in contact with the receptacle. Always plug the saw into a GFCI receptacle and test to confirm the GFCI is operating properly. If the plug or receptacle does get wet, DON'T unplug the cord. Disconnect the fuse or circuit breaker that supplies power to the tool. Then unplug and examine for presence of water in the receptacle.

- To turn the wet tile saw on, lift up the on/off switch **1**.
- The wet tile saw locks on automatically.
- To turn the tool off, push the on/off switch down.

NOTE: A pad lock can be used on the switch to deter unauthorized use.

Fig. U



Water Nozzles (Fig V–X)

Water nozzles **17** are adjustable to provide maximum water for cutting and maximum capacity with the minimum amount of overspray and mist. The adjusting lever **34** allows easy adjustment of nozzles to desired position.

- Optimum position for minimum overspray (Fig. V).
- Water nozzles **17** can be fully retracted to allow for maximum capacity (Fig. W).
- "Off Cutting Wheel" position to eliminate water overspray between cuts and for the cutting wheel change (Fig. X).

Fig. V

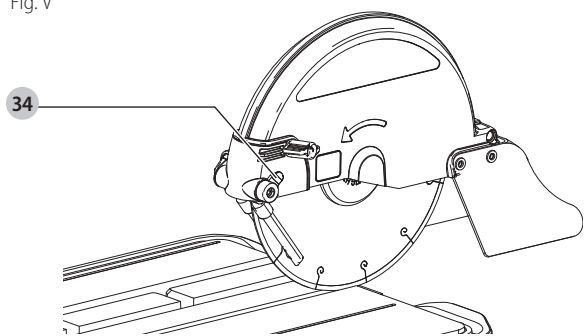


Fig. W

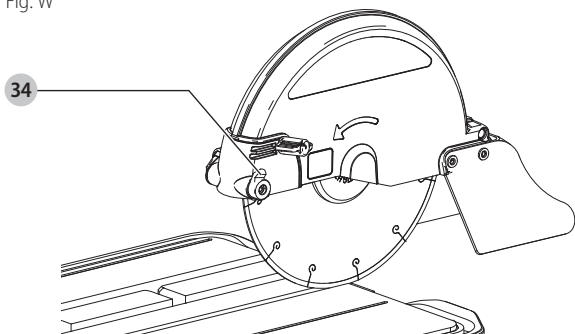
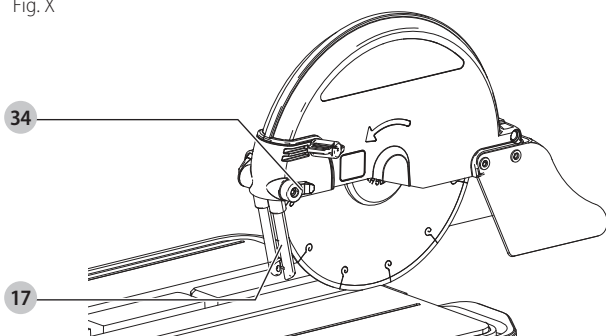


Fig. X

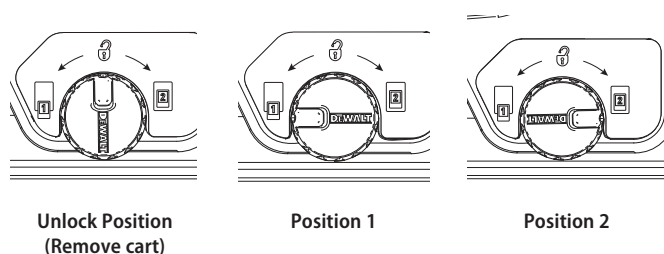


Cutting Cart Stop Knob (Fig. A, Y)

The cutting cart stop knob **18** allows the user to bring the cutting cart assembly **11** back to the same point each time. To set the position, **LIFT UP AND ROTATE** the cutting cart stop knob and slide the cutting cart back until it stops. It can be set to three different positions based on the users preference.

- Unlock Position: Remove & install cutting cart
- Position 1: 36" (90 cm) cut capacity. Cart extends past the frame.
- Position 2: 18" (45 cm) cut capacity. Cart stops at the edge of the frame.

Fig. Y



Making a Cut (Fig. A)

Verify the proper alignment of the cutting cart and cutting wheel before turning the saw on. Always keep hands away from the cutting wheel.

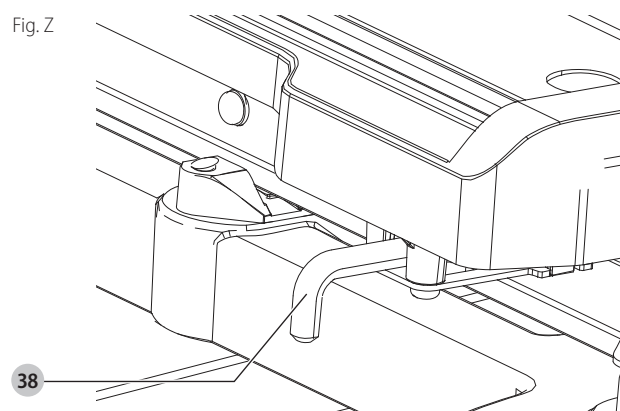
1. Lift the On/Off switch **1** to turn the saw on. Wait until the stream of water completely covers the cutting wheel.
NOTE: Cutting tile without water will damage the cutting wheel.
2. Ease the cutting cart toward the cutting wheel then slowly feed the tile into the cutting wheel. Continue pushing until the cutting wheel cuts completely through the tile.
3. Turn the saw off by pushing the On/Off switch **1** down.
4. After the cutting wheel stops, remove the tile and remnant from the cutting cart.

Locking the Cutting Cart (Fig. Z)

There are three locking position for the cart.

Move the cart to the lock position and lock the cart by pushing the pin **38** into a hole in the rail.

Fig. Z



Types of Cuts

⚠ WARNING: Do not make freehand cuts.

Always do a practice run to acquaint yourself with the path of the cutting wheel. Practice on a scrap tile to ensure that you are comfortable with the feel of the cutting operation. Push the cart past the cutting wheel before turning the saw on.

Straight Cuts (Fig. Q, AA, BB)

1. Using a marker or grease pencil, mark the area to be cut on tile.
2. Place the tile on the cutting cart against the cutting cart fence **36** and align your mark with the cutting wheel.
3. Pull the on/off switch up to turn the saw on and wait for the cutting wheel to be completely covered with water.
4. Ease the cutting cart toward the cutting wheel then slowly feed the tile into the cutting wheel. Continue pushing until the cutting wheel cuts completely through the tile.

NOTE: The wheel cover can be rotated up to help align the line on the tile with the cutting wheel. Loosen the bolt **54** with the wrench **25** and shown in Fig BB and rotate the wheel cover.

5. Turn off the saw.

Diagonal Cuts (Fig. Q)

Diagonal cuts are also referred to as "long point to long point cuts."

1. Align the point of the tile closest to the cutting cart fence **36** with the cut indicator **39**.
2. Align the front of the tile to the cutting wheel.
3. Turn the saw on and make the cut.
4. Turn off the saw.

L-Cuts (Fig. Q)

An L-cut is a section that is removed from a piece of tile and is used when cutting a piece of tile to fit in a corner of a cabinet or piece of trim molding.

1. Outline the area to be cut on both sides of the tile.
2. Align the tile to the cutting cart fence **36** and make the cut far enough into the tile without overcutting.
3. Make a cut on the other mark on the tile without overcutting.
4. Turn the tile over and make the cut along one of the outlines, but this time an overcut can occur without damaging the exposed surface of the tile due to the radius of the cutting wheel. Overcut the other line and the cut piece should be separate from the rest of the tile.
5. Turn off the saw.

Plunge Cuts (Fig. A, M)

Plunge cuts are utilized when removing the center of a piece of tile for electrical outlets and for making cuts for air conditioner registers.

1. Outline the area to be cut on both sides of the tile.
2. Release the cutting head by loosening the head lock knob **4**.
3. Adjust the depth of cut knob **40** in the rear of the cutting wheel guard to prevent the cutting wheel from traveling too deep and cutting into the cutting cart. Always do a dry or practice run to acquaint yourself with the path of the cutting wheel. Practice on a scrap tile to ensure that you are comfortable with the feel of the cutting operation.
4. Place the tile on the cutting cart with the finished side facing up.
5. Align the mark with the cutting wheel.
6. Turn the saw on. With one hand on the plunge handle **3** and one hand on the tile, keeping both hands at a safe distance from the cutting wheel, lower the head of the saw slowly into the tile. Cut into the tile up to the edge of the mark without overcutting.
7. Repeat the process on each outline without overcutting.
8. Turn the tile over. Repeat steps 2 and 3, overcutting along the lines which will allow the piece to fall out.
NOTE: The corners may need to be trimmed with tile nippers (not included with the saw).
9. Turn off the saw.

Miter Cuts: 22.5° and 45° (Fig. A, M, P, Q)

Miter cuts are used for cutting outside and inside corners on tile, decorative chair rail and base molding.

The cutting head of the saw is adjustable to three positions: 0°, 22.5° or 45°. The three grooves **37** in the cutting cart allow for the cutting head to be set at the three settings without cutting into the cutting cart assembly **11**.

ENGLISH

1. Loosen the bevel lock knob **41** in the rear of the saw and adjust the head of the saw to the correct miter degree. The bevel pointer **42** on the front of the saw will show the angle of adjustment.
2. Always do a dry run and push the cart past the cutting wheel before turning on the saw. Ensure the cutting wheel is adjusted to the center of the groove.
3. Mark the tile and line the tile against the fence of the cutting cart and the edge guide. Proceed to make the cut.
4. Turn off the saw.

Fig. AA

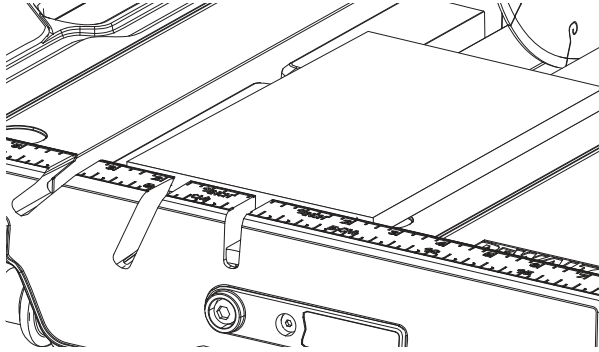
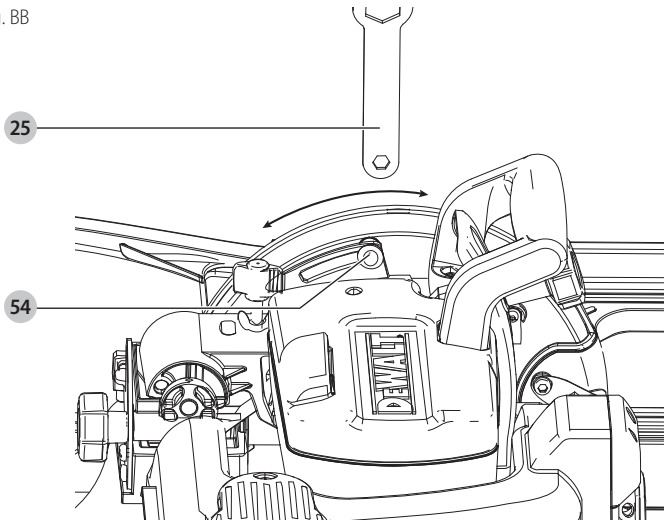


Fig. BB

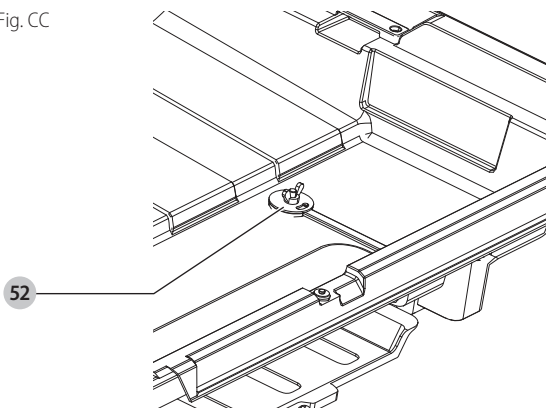


Moving the Saw (Fig. CC)

- CAUTION:** Do not attempt to move the saw while filled with water or personal injury may result.
- CAUTION:** Always lock cutting cart before moving or transporting saw.

Before moving the saw, be sure to drain the water pan by placing a 5 gallon (19 liters) bucket under the drain plug **52** of the saw. Remove the drain plug and allow the water to empty into the bucket.

Fig. CC



MAINTENANCE

- WARNING:** To reduce the risk of serious personal injury, turn unit off and disconnect it from power source before making any adjustments or removing/installing attachments or accessories. An accidental start-up can cause injury.

Transportation and Storage (Fig. DD)

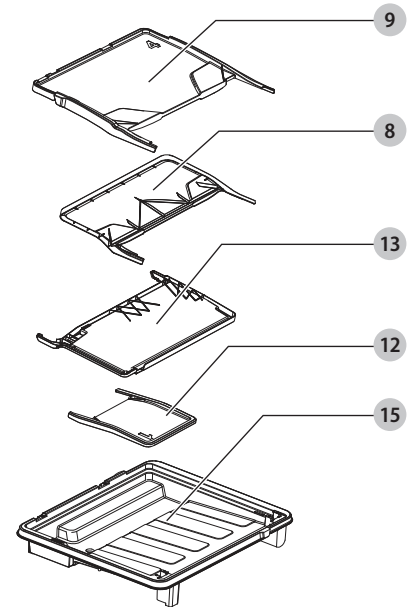
- WARNING:** For your own safety, it is recommended that two people carry this machine or serious injury could result.
- CAUTION:** Always lock cutting cart before moving or transporting saw.

The rear water attachments **8**, **9** cutting cart water attachments **12**, **13** and water pan **15** may be nested together to make carrying easier (Fig. DD).

The attachments are numbered 1-4. The attachments must fit in the order shown in Fig. DD starting with the small cutting cart water attachment **12** in order to seat correctly.

NOTE: The large cutting cart water attachment **13** and the small rear water attachment **8** are stored upside down.

Fig. DD



Cleaning

- WARNING:** Blow dirt and dust out of all air vents with clean, dry air at least once a week. To minimize the risk of eye injury, always wear ANSI Z87.1 approved eye protection when performing this procedure.

- WARNING:** Never use solvents or other harsh chemicals for cleaning the non-metallic parts of the tool. These chemicals may weaken the plastic materials used in these parts. Use a cloth dampened only with water and mild soap. Never let any liquid get inside the tool; never immerse any part of the tool into a liquid.

1. Turn off the saw and disconnect it from the power source.
2. Place a 5 gallon (19 liters) bucket under the drain plug. Remove the drain plug by loosening the attached wing nut and allow the water to empty into the bucket.
3. Slide the cutting cart off the rail system. Spray the cutting cart with a hose or wipe with a grout sponge or rag.
4. Wipe the rails with a grout sponge or a rag. Spray lubricants are not required on the guide rail or wheels.
5. Clean the water reservoir by wiping with a grout sponge.

- WARNING:** Do not spray with water. Some water may reach the motor area.

Use only mild soap and a damp cloth to clean the tool. Many household cleaners contain chemicals which could seriously damage plastic. Also, do not use gasoline, turpentine, lacquer or paint thinner, dry cleaning fluids or similar products. Try not to let any liquid get inside the tool; never immerse any part of the tool into a liquid.

Lubrication

- WARNING:** NEVER spray or in any other way apply lubricants or cleaning solvents inside the tool. This can seriously affect the life and performance of the tool and may result in personal injury.

DEWALT tools are properly lubricated at the factory and are ready for use. However, it is recommended that, once a year, you take or send the tool to a certified service center for a thorough cleaning and inspection.

Accessories

- WARNING:** Since accessories, other than those offered by DEWALT, have not been tested with this product, use of such accessories with this tool could be hazardous. To reduce the risk of injury, only DEWALT recommended accessories should be used with this product.

Recommended accessories for use with your tool are available at extra cost from your local dealer or authorized service center. If you need assistance in locating any accessory, please contact DEWALT call 1-800-4-DEWALT (1-800-433-9258) or visit our website: www.dewalt.com.

Stand

D24001 Heavy Duty Tile Saw Stand

Cutting wheels

7" (178 mm)	DW4760 – Wet Ceramic Tile Cutting Cutting Wheel
7" (178 mm)	DW4766 – Wet Porcelain Tile Cutting Cutting Wheel
7" (178 mm)	DWA4768 – Wet Glass Tile Cutting Cutting Wheel-
10" (254 mm)	DW4761 – Wet Ceramic Tile Cutting Cutting Wheel
10" (254 mm)	DW4764 – Wet Porcelain Tile Cutting Cutting Wheel
10" (254 mm)	DWA4769 – Wet Glass Tile Cutting Cutting Wheel

CAUTION: The use of any other accessory not recommended for use with this tool could be hazardous.

Repairs

WARNING: To assure product SAFETY and RELIABILITY, repairs, maintenance and adjustment (including power cord repairs, and brush inspection and replacement, when applicable) should be performed by a DeWALT factory service center or a DeWALT authorized service center. Always use identical replacement parts.

Register Online

Thank you for your purchase. Register your product now for:

- **WARRANTY SERVICE:** Registering your product will help you obtain more efficient warranty service in case there is a problem with your product.
- **CONFIRMATION OF OWNERSHIP:** In case of an insurance loss, such as fire, flood or theft, your registration of ownership will serve as your proof of purchase.
- **FOR YOUR SAFETY:** Registering your product will allow us to contact you in the unlikely event a safety notification is required under the Federal Consumer Safety Act.
- Register online at www.dewalt.com

Three Year Limited Warranty

DeWALT will repair or replace, without charge, any defects due to faulty materials or workmanship for three years from the date of purchase. This warranty does not cover part failure due to normal wear or tool abuse. For further detail of warranty coverage and warranty repair information, visit www.dewalt.com or call 1-800-4-DEWALT (1-800-433-9258). This warranty does not apply to accessories or damage caused where repairs have been made or attempted by others. THIS LIMITED WARRANTY IS GIVEN IN LIEU OF ALL OTHERS, INCLUDING THE IMPLIED WARRANTY OF MERCHANTABILITY AND FITNESS FOR A PARTICULAR PURPOSE, AND EXCLUDES ALL INCIDENTAL OR CONSEQUENTIAL DAMAGES. Some states do not allow limitations on how long an implied warranty lasts or the exclusion or limitation of incidental or consequential damages, so these limitations may not apply to you. This warranty gives you specific legal rights and you may have other rights which vary in certain states or provinces.

In addition to the warranty, DeWALT tools are covered by our:

1 YEAR FREE SERVICE

DeWALT will maintain the tool and replace worn parts caused by normal use, for free, any time during the first year after purchase.

90 DAY MONEY BACK GUARANTEE

If you are not completely satisfied with the performance of your DeWALT Power Tool or Nailer for any reason, you can return it within 90 days from the date of purchase with a receipt for a full refund – no questions asked.

LATIN AMERICA: This warranty does not apply to products sold in Latin America. For products sold in Latin America, see country specific warranty information contained in the packaging, call the local company or see website for warranty information.

FREE WARNING LABEL REPLACEMENT: If your warning labels become illegible or are missing, call 1-800-4-DEWALT (1-800-433-9258) for a free replacement.

Troubleshooting Guide

BE SURE TO FOLLOW SAFETY RULES AND INSTRUCTIONS

MANY COMMON PROBLEMS CAN BE SOLVED EASILY BY UTILIZING THE CHART BELOW. FOR MORE SERIOUS OR PERSISTENT PROBLEMS, CONTACT A DeWALT SERVICE CENTER OR CALL 1-(800)-4-DEWALT.

Trouble!	What's Wrong?	What To Do
Saw will not start	Saw not plugged in.	Plug in saw.
	GFCI tripped.	Push switch to off and push reset button on GFCI.
	Saw will not run (plugged in; switch on).	Push switch to off and push the reset button on the GFCI.
	Fuse blown or circuit breaker tripped.	Push switch to off and replace fuse or reset circuit breaker.
	Cord damaged.	Have cord replaced by authorized service center.
Saw makes unsatisfactory cuts	Brushes worn out.	Have brushes replaced by authorized service center.
	Dull cutting wheel.	Replace cutting wheel. Refer to <i>Installing the Cutting Wheel</i> .
	Water pump will not pump water.	Remove water pump and spray with clean water to dislodge the impeller.
	Cutting wheel mounted backwards.	Turn cutting wheel around. Refer to <i>Installing the Cutting Wheel</i> .
	Build up on cutting wheel.	Use dressing stone to remove build up.
Cutting wheel does not come up to speed	Incorrect cutting wheel for work being done.	Change the cutting wheel. Refer to <i>Installing the Cutting Wheel</i> .
	Extension cord too small of a wire gauge or too long.	Replace with adequate size cord. Refer to <i>Minimum Gauge for Cord Sets</i> .
	Arbor loose.	Tighten arbor.
	Low house voltage.	Contact your electric company.
Machine vibrates excessively	Saw not mounted securely to stand.	Reposition water pan on stand.
	Stand or bench on uneven floor.	Reposition on flat level surface.
	Damaged saw cutting wheel.	Replace cutting wheel. Refer to <i>Installing the Cutting Wheel</i> .
Does not make accurate cuts	Cutting cart side attachment not secure to fence.	Check and adjust. Tighten the side attachment knob.
	Cutting wheel is not square to fence.	Check and adjust. Refer to <i>Cutting Wheel Parallel to Cart</i> .
	Cutting wheel is not perpendicular to cart surface.	Check and adjust fence. Refer to <i>Cutting Wheel Square to Cart</i> .
	Workpiece moving.	Use side attachment and edge guide.

Définitions : symboles et termes d'alarmes sécurité

Ces guides d'utilisation utilisent les symboles et termes d'alarmes sécurité suivants pour vous prévenir de situations dangereuses et de risques de dommages corporels ou matériels.

! **DANGER** : indique une situation dangereuse imminente qui, si elle n'est pas évitée, **entraînera la mort ou des blessures graves**.

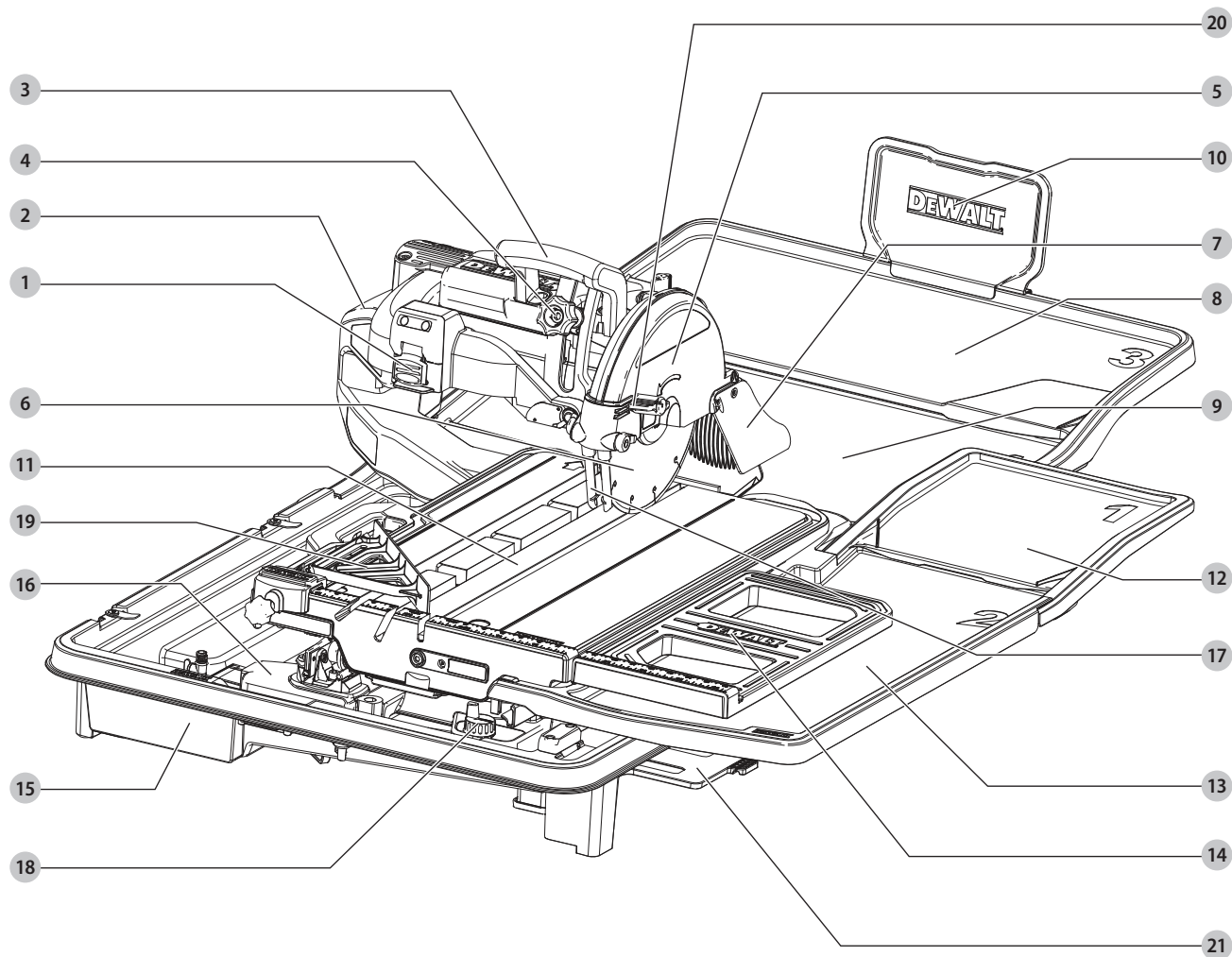
! **AVERTISSEMENT** : indique une situation potentiellement dangereuse qui, si elle n'est pas évitée, **pourrait entraîner la mort ou des blessures graves**.

! **ATTENTION** : indique une situation potentiellement dangereuse qui, si elle n'est pas évitée, **pourrait entraîner des blessures légères ou modérées**.

! (Si utilisé sans aucun terme) Indique un message propre à la sécurité.

AVIS : indique une pratique ne posant **aucun risque de dommages corporels** mais qui par contre, si rien n'est fait pour l'éviter, **pourrait poser des risques de dommages matériels**.

Fig. A



- | | |
|---------------------------------------|--|
| 1 Bouton Marche/Arrêt | 12 Petit accessoire pour l'eau du chariot de coupe |
| 2 Assemblage du bras du moteur | 13 Grand accessoire pour l'eau du chariot de coupe |
| 3 Poignée de plongée | 14 Accessoire latéral du chariot de coupe |
| 4 Bouton de verrouillage de la tête | 15 Cuve d'eau |
| 5 Capot de la meule de coupe | 16 Assemblage du cadre de la scie |
| 6 Meule de coupe | 17 Buses à eau |
| 7 Coiffe en caoutchouc | 18 Bouton d'arrêt du chariot de coupe |
| 8 Petit accessoire pour l'eau arrière | 19 Guide de bord |
| 9 Grand accessoire pour l'eau arrière | 20 Bouton du capot de la meule de coupe |
| 10 Pare-éclaboussures | 21 Entreposage |
| 11 Assemblage du chariot de coupe | |

! **AVERTISSEMENT** : lire tous les avertissements de sécurité et toutes les directives. Le non-respect des avertissements et des directives pourrait se solder par un choc électrique, un incendie et/ou une blessure grave.

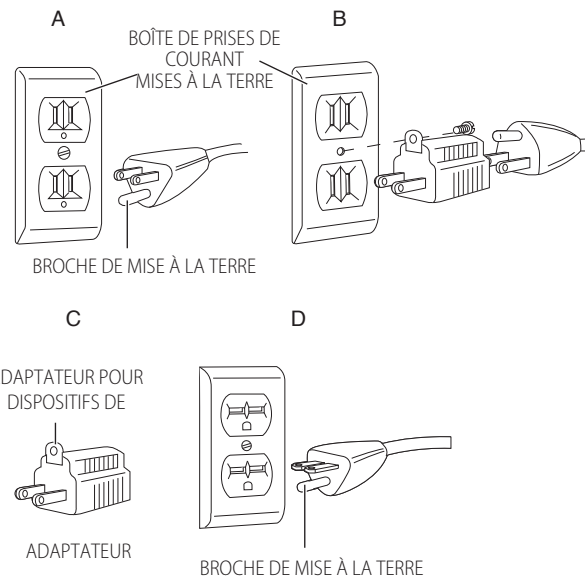
! **AVERTISSEMENT** : afin de réduire le risque de blessures, lire le mode d'emploi de l'outil. Pour toute question ou remarque au sujet de cet outil ou de tout autre outil DEWALT composez le numéro sans frais : (1-800-433-9258).

Scie à carrelage humide haute capacité 254 mm (10 po) D36000, D36000S

AVERTISSEMENTS DE SÉCURITÉ IMPORTANTS ET INSTRUCTIONS

- AVERTISSEMENT :** afin de réduire le risque de blessure :
- Avant toute utilisation, assurez-vous que toutes les personnes qui utiliseront cet outil lisent et comprennent toutes les consignes de sécurité et les autres renseignements compris dans le présent guide.
 - Conservez ces instructions et passez-les en revue fréquemment avant l'utilisation et la formation d'autres personnes.
1. **MAINTENEZ LES PROTECTEURS EN PLACE** et en bon état de fonctionnement.
 2. **RETIREZ LES CLÉS DE RÉGLAGE.** Prenez l'habitude de vérifier si les clés de réglage ont été retirées de l'outil avant de le mettre en marche.
 3. **GARDEZ L'AIRE DE TRAVAIL PROPRE.** Les établis et les aires de travail encombrés favorisent les accidents.
 4. **NE PAS UTILISER DANS UN ENVIRONNEMENT DANGEREUX. Ne pas utiliser les outils électriques dans des endroits humides ou mouillés, ou exposés à la pluie.** Gardez l'aire de travail bien éclairée.
 5. **GARDEZ LES ENFANTS ÉLOIGNÉS.** Tous les visiteurs devraient être gardés à une distance sécuritaire de l'aire de travail.
 6. **RENDEZ VOTRE ATELIER INACCESSIBLE AUX ENFANTS** à l'aide de cadenas, des principaux boutons ou en retirant la clé de démarrage.
 7. **NE PAS FORCER L'OUTIL.** Il travaillera mieux et sera plus sécuritaire à la vitesse pour laquelle il a été conçu.
 8. **UTILISEZ LE BON OUTIL.** Ne pas forcer l'outil ou un accessoire à faire un travail pour lequel il n'a pas été conçu.
 9. **UTILISEZ UNE RALLONGE APPROPRIÉE.** Assurez-vous que votre rallonge est en bon état. Lorsque vous utilisez une rallonge, assurez-vous d'utiliser un calibre suffisamment lourd pour faire circuler le courant qui sera acheminé au produit. Un cordon de taille inférieure entraînera une chute de tension de secteur ce qui causera une perte de puissance et une surchauffe. Le calibre minimum pour les cordons affiche la bonne taille à utiliser selon la longueur de cordon et l'intensité nominale de la plaque signalétique. En cas de doute, utilisez le calibre le plus lourd suivant. Plus le numéro de calibre est bas, plus le cordon est lourd.
 10. **PORTEZ DES VÊTEMENTS APPROPRIÉS.** Ne pas porter des vêtements amples, des gants, cravate, bagues, bracelets ou autres bijoux qui pourraient se prendre dans les pièces mobiles. Il est recommandé de porter des chaussures à semelles antidérapantes. Portez une protection pour vos cheveux afin de les retenir.
 11. **UTILISEZ TOUJOURS DES LUNETTES DE SÉCURITÉ.** De plus, utilisez un masque facial ou antipoussière si l'opération de coupe est poussiéreuse. Vos lunettes de tous les jours ont des lentilles résistant aux impacts, mais elles ne sont PAS des lunettes de sécurité.
 12. **SÉCURISEZ VOTRE TRAVAIL.** Lorsque c'est possible, utilisez des pinces ou un étau pour maintenir le travail. C'est plus sécuritaire que d'utiliser vos mains et cela libère vos deux mains pour faire fonctionner l'outil.
 13. **NE PAS TROP S'ÉTIRER.** Maintenez vos pieds bien d'aplomb sur le sol et un bon équilibre en tout temps.
 14. **ENTRETIENEZ SOIGNEUSEMENT LES OUTILS.** Pour la meilleure et la plus sécuritaire performance, gardez les outils aiguisés et propres. Suivez les instructions pour lubrifier et changer les accessoires.
 15. **DÉBRANCHEZ LES OUTILS** avant l'entretien, lorsque vous changez les accessoires comme les lames, les mèches, les gouges et les accessoires semblables.
 16. **RÉDUISEZ LE RISQUE DE DÉMARRAGE NON INTENTIONNEL.** Assurez-vous que le bouton Marche/Arrêt est à la position Arrêt avant de brancher.
 17. **UTILISEZ LES ACCESSOIRES RECOMMANDÉS.** Pour les accessoires recommandés, consultez le guide d'utilisation. L'utilisation d'accessoires inappropriés pourrait présenter un danger de blessures.
 18. **NE JAMAIS SE TENIR DEBOUT SUR L'OUTIL.** Des blessures graves pourraient vous être infligées si la table bascule ou si vous venez en contact avec l'outil de coupe.
 19. **VÉRIFIEZ LES PIÈCES ENDOMMAGÉES.** Avant l'utilisation ultérieure de l'outil, un protecteur ou une autre pièce qui est endommagée doit être soigneusement vérifié afin de déterminer s'il fonctionnera bien et s'il effectuera la fonction prévue. Vérifiez l'alignement des pièces en mouvement, le bris des pièces, le montage et tout autre état qui peut affecter son utilisation. Tout protecteur ou toute pièce endommagée devrait être adéquatement réparé ou remplacé.
 20. **SENS D'ALIMENTATION.** Alimentez le travail seulement en sens opposé du sens de rotation de la lame ou du couteau.
 21. **NE JAMAIS LAISSER L'OUTIL EN MARCHÉ SANS SUPERVISION. COUPEZ L'ALIMENTATION.** Ne pas quitter les lieux avant que l'outil ne soit complètement arrêté.
- réparation ou un remplacement du cordon électrique ou de la fiche est nécessaire, ne pas connecter le conducteur de mise à la terre à une borne sous tension.
- Consultez un électricien ou du personnel d'entretien qualifié si vous ne comprenez pas complètement les instructions de mise à la terre ou si vous n'êtes pas certain que l'outil est bien mis à la terre.
 - Utilisez seulement des rallonges à 3 fils ayant des fiches de mise à la terre à 3 broches et des prises à 3 broches qui accepte la fiche de l'outil.
 - Réparez ou remplacez immédiatement tout cordon endommagé ou usé.
- Cet outil doit être mis à la terre pendant l'utilisation afin de protéger l'utilisateur d'un choc électrique. L'outil est muni d'un cordon à 3 conducteurs et d'une fiche de type mise à la terre à 3 broches pour correspondre à une prise de type mise à la terre appropriée. Le conducteur vert (ou vert et jaune) dans le cordon est le fil de mise à la terre. Ne jamais connecter le fil vert (ou vert et jaune) à une borne sous tension. Si votre appareil est conçu pour une utilisation sur moins de 150 V, il a une fiche qui ressemble à ce qui est illustré dans le dessin A. S'il est pour une utilisation sur 150 à 250 V, il a une fiche qui ressemble à ce qui est illustré dans le dessin D. Un adaptateur, dessins B et C, est disponible pour brancher les fiches de type du dessin A aux prises à 2 broches. L'oreille rigide de couleur verte, la cosse, ou autres, sortant de l'adaptateur doivent être branchés à une mise à la terre permanente comme un boîtier de prises de courant bien mises à la terre. Aucun adaptateur n'est disponible pour une fiche comme illustré dans le dessin D. L'ADAPTEUR ILLUSTRÉ DANS LES DESSINS B ET C NE SONT PAS POUR UNE UTILISATION AU CANADA.

Fig. B



- ⚠ **AVERTISSEMENT :** afin de réduire le risque d'électrocution, gardez tous les branchements secs et au-dessus du sol. Ne pas toucher la fiche avec les mains mouillées.
- ⚠ **AVERTISSEMENT :** la scie et la pompe doivent être branchées dans une prise protégée DDFT. Testez le DDFT avant chaque utilisation. Ne pas utiliser si le DDFT échoue.
- ⚠ **AVERTISSEMENT :** ne jamais utiliser la scie avec de l'eau salée ou un fluide conducteur.

REMARQUE : Ne pas faire fonctionner la pompe à sec.

Règles de sécurité supplémentaires pour la scie pour carreaux à l'eau

- ⚠ **ATTENTION :** portez des protecteurs appropriés pour les oreilles durant l'utilisation. Dans certaines conditions et selon la durée d'utilisation, le bruit provenant de ce produit peut contribuer à la perte de l'audition.
- ⚠ **ATTENTION :** ne pas brancher l'appareil à une source d'alimentation électrique jusqu'à ce que vous ayez entièrement lu et compris toutes les instructions.
- **NE PAS** faire fonctionner la scie sans le capot de la meule de coupe en place.
- Nettoyez la scie pour carreaux après chaque utilisation pour une utilisation optimale.
- Utilisez un équipement de sécurité. Portez toujours une protection des yeux. Les masques antipoussières, les chaussures de sécurité antidérapantes, le casque de sécurité et la protection auditive doivent être utilisés pour les conditions appropriées.
- Gardez vos mains hors de portée de la trajectoire de la meule de coupe. **NE JAMAIS COUPER UN MORCEAU OÙ LES MAINS SERAIENT À 76 MM (3 PO) OU MOINS DE LA MEULE DE COUPE.**
- Ne pas effectuer toute opération à main levée, c'est-à-dire sans tenir fermement la pièce de travail contre le guide du chariot ou le guide de bord
- Ne jamais toucher l'arrière de la meule de coupe.
- **À NE PAS FAIRE - Couper à sec.** Si la meule de coupe n'est pas refroidie avec de l'eau, des dommages graves se produiront. La coupe à sec augmentera l'exposition à la poussière en suspension dangereuse.
- Éteignez l'outil et attendez que la meule de coupe s'arrête avant de déplacer la pièce de travail ou de modifier les réglages.
- Afin de réduire le risque de blessure, retournez le chariot complètement à l'arrière après chaque coupe.
- **À FAIRE -** Utiliser l'extension du chariot de coupe pour soutenir un gros carreau.
- **À FAIRE -** S'assurer que la meule de coupe tourne dans le bon sens comme indiqué par la flèche sur la meule de coupe.

Instructions concernant la mise à la terre (Fig. B)

- En cas de dysfonctionnement ou de panne, la mise à la terre offre la voie la plus facile pour le courant électrique afin de réduire le risque de choc électrique. Cet outil est muni d'un cordon électrique comportant une fiche et un conducteur de mise électrique la terre de l'équipement. La fiche doit être branchée dans une prise correspondante installée adéquatement et mise à la terre en conformité avec tous les règlements et codes locaux.
- Ne pas modifier la fiche fournie : si elle ne correspond pas à la prise, faites installer une prise appropriée par un électricien certifié.
- Un branchement inapproprié du conducteur de mise à la terre de l'équipement peut présenter un risque de choc électrique. Le conducteur avec isolation ayant une surface externe verte avec ou sans bandes jaunes est le conducteur de mise à la terre de l'équipement. Si une

FRANÇAIS

- **À FAIRE** - S'assurer que toutes les poignées à pince et tous les boutons sont serrés avant de commencer toute opération.
- **À FAIRE** - S'assurer que toute la meule de coupe et toutes les rondelles de la pince et de la lame sont propres et que les côtés enfoncés du collier soient contre la meule de coupe. Serrer l'écrou de l'axe de façon sécuritaire.
- **À FAIRE** - Garder la meule de coupe bien alignée.
- **À FAIRE** - Garder les prises d'air du moteur libres de particules et de saleté.
- **À FAIRE** - Vider toujours l'eau du réservoir et débrancher de l'alimentation avant de transporter. L'eau peut éclabousser les composantes électriques.
- **À FAIRE** - Garder les mains hors de portée de la trajectoire de la meule de coupe.
- **À FAIRE** - Éteindre l'alimentation, débrancher le cordon de la source d'alimentation et attendre que la meule de coupe s'arrête avant d'entretenir, d'ajuster l'outil ou de changer la meule de coupe.
- **À NE PAS FAIRE** - Tenter d'utiliser une autre tension que celle indiquée. Une mauvaise tension peut entraîner un choc, un incendie ou une utilisation imprévisible.
- **À NE PAS FAIRE** - Utiliser sans que tous les boutons et toutes les pinces soient serrés.
- **À NE PAS FAIRE** - Utiliser des meules de coupe plus grandes ou plus petites que celles qui sont recommandées.
- **À NE PAS FAIRE** - Forcer l'action de la coupe. Laissez le moteur atteindre sa pleine vitesse avant de couper. Le blocage ou le blocage partiel du moteur peut entraîner des dommages graves.
- **À NE PAS FAIRE** - Utiliser des meules abrasives pour couper le métal. La chaleur excessive et les particules abrasives générées par celles-ci endommageront la scie.
- **À FAIRE** - Utiliser seulement des meules à jante continue, aucune meule de coupe à bord dentelé ou denté.
- **À NE PAS FAIRE** - Permettre à tout le monde de se tenir derrière la scie.
- **À NE PAS FAIRE** - Placer une main ou l'autre dans la zone de la meule de coupe lorsque la scie est branchée à la source d'alimentation.
- **À NE PAS FAIRE** - Utiliser des meules de coupe ayant une puissance inférieure à 5000 tr/min.
- **À NE PAS FAIRE** - Placer les mains plus près que 3 po (76 mm) de la meule de coupe.
- **À NE PAS FAIRE** - Toucher l'arrière ou le dessous de la scie à moins qu'elle soit éteinte et débranchée.
- **À NE PAS FAIRE** - Bouger une main ou l'autre de la scie ou de la pièce de travail jusqu'à ce que la meule de coupe s'arrête.
- **SÉCURISEZ VOTRE TRAVAIL.** Placez toujours les carreaux à plat sur le chariot et de façon sécuritaire contre le guide.
- NE JAMAIS UTILISER UN CHAUFFE-CUVE OU UNE AUTRE SOURCE DE CHALEUR POUR CHAUFFER L'EAU. Cela pourrait entraîner des dommages à l'outil, un incendie ou des blessures corporelles.
- Si la fiche ou la prise devient mouillée, **NE PAS** débrancher le cordon. Déconnectez le disjoncteur ou le fusible qui alimente l'outil. Puis, débranchez et vérifiez s'il y a de l'eau dans la prise.

Consigne de sécurité supplémentaire

- ⚠ **AVERTISSEMENT** : ne jamais modifier l'outil électrique ni aucun de ses composants, car il y a risques de dommages corporels ou matériels.
- ⚠ **AVERTISSEMENT** : porter **SYSTEMATIQUEMENT** des lunettes de protection. Les lunettes courantes NE sont PAS des lunettes de protection. Utiliser aussi un masque antipoussières si l'opération est poussiéreuse. **PORTER SYSTÉMATIQUEMENT UN ÉQUIPEMENT DE SÉCURITÉ HOMOLOGUÉ** :
 - Protection oculaire ANSI Z87.1 (CAN/CSA Z94.3) ;
 - Protection auditive ANSI S12.6 (S3.19) ;
 - Protection des voies respiratoires NIOSH/ OSHA/ MSHA.
- ⚠ **AVERTISSEMENT** : les scies, meules, ponceuses, perceuses ou autres outils de construction peuvent produire des poussières contenant des produits chimiques reconnus par l'État californien pour causer cancers, malformations congénitales ou être nocifs au système reproducteur. Parmi ces produits chimiques, on retrouve :
 - Le plomb dans les peintures à base de plomb ;
 - La silice cristallisée dans les briques et le ciment, ou autres produits de maçonnerie ; et
 - L'arsenic et le chrome dans le bois ayant subi un traitement chimique.

Le risque associé à de telles expositions varie selon la fréquence à laquelle on effectue ces travaux. Pour réduire toute exposition à ces produits : travailler dans un endroit bien aéré, en utilisant du matériel de sécurité homologué, tel un masque antipoussières spécialement conçu pour filtrer les particules microscopiques.
- **Limiter toute exposition prolongée avec les poussières provenant du ponçage, sciage, meulage, perçage ou toute autre activité de construction. Porter des vêtements de protection et nettoyer à l'eau savonneuse les parties du corps exposées.** Le fait de laisser la poussière pénétrer dans la bouche, les yeux ou la peau peut favoriser l'absorption de produits chimiques dangereux.
- ⚠ **AVERTISSEMENT** : cet outil peut produire et/ou répandre de la poussière susceptible de causer des dommages sérieux et permanents au système respiratoire. Utiliser systématiquement un appareil de protection des voies respiratoires homologué par le NIOSH ou l'OSHA. Diriger les particules dans le sens opposé au visage et au corps.
- ⚠ **AVERTISSEMENT** : pendant l'utilisation, porter systématiquement une protection auditive individuelle adéquate homologuée ANSI S12.6 (S3.19). Sous certaines conditions et suivant la durée d'utilisation, le bruit émanant de ce produit pourrait contribuer à une perte de l'acuité auditive.
- **Prendre des précautions à proximité des événements, car ils cachent des pièces mobiles.** Vêtements amples, bijoux ou cheveux longs risquent de rester coincés dans ces pièces mobiles.

- **Pour la sécurité de l'utilisateur, utiliser une rallonge de calibre adéquat (AWG, American Wire Gauge [calibrage américain normalisé des fils électriques]).** Plus le calibre est petit, et plus sa capacité est grande. Un calibre 16, par exemple, a une capacité supérieure à un calibre 18. L'usage d'une rallonge de calibre insuffisant causera une chute de tension qui entraînera perte de puissance et surchauffe. Si plus d'une rallonge est utilisée pour obtenir une certaine longueur, s'assurer que chaque rallonge présente au moins le calibre de fil minimum. Le tableau ci-dessous illustre les calibres à utiliser selon la longueur de rallonge et l'intensité nominale indiquée sur la plaque signalétique. En cas de doute, utiliser le calibre suivant. Plus le calibre est petit, plus la rallonge peut supporter de courant.

Calibre minimum pour les cordons d'alimentation

Volts		Longueur totale du cordon d'alimentation en mètre (pieds)			
120V		7,6 (25)	15,2 (50)	30,5 (100)	45,7 (150)
240V		15,2 (50)	30,5 (100)	61,0 (200)	91,4 (300)
Ampères		AWG			
Plus que	Pas plus que	18	16	16	14
0	6	18	16	14	12
6	10	16	16	14	12
10	12	16	16	14	12
12	16	14	12	Non recommandé	

L'étiquette apposée sur votre outil peut inclure les symboles suivants. Les symboles et leur définition sont indiqués ci-après :

V.....volts	W..... watts
Hz.....hertz	~ ou AC..... courant alternatif
min..... minutes	⎓ ou AC/DC... courant alternatif ou continu
— ou DC..... courant continu	⊠..... fabrication classe II (double isolation)
Ⓛ..... fabrication classe I (mis à la terre)	n ₀ vitesse à vide
.../min..... par minute	n..... vitesse nominale
BPM..... battements par minute	⊕..... borne de terre
IPM..... impacts par minute	⚠..... symbole d'avertissement
RPM..... révolutions par minute	⚠..... radiation visible
sfpm (plpm)..... pieds linéaires par minute	☞..... protection respiratoire
SPM (FPM)..... fréquence par minute	☞..... protection oculaire
OPM..... oscillations por minuto	☞..... protection auditive
A..... ampères	📖..... lire toute la documentation
IPXX..... symbole IP	

Moteur

S'assurer que le bloc d'alimentation est compatible avec l'inscription de la plaque signalétique. Une diminution de tension de plus de 10 % provoquera une perte de puissance et une surchauffe. Ces outils sont testés en usine ; si cet outil ne fonctionne pas, vérifier l'alimentation électrique.

- Branchez toujours la scie et la pompe dans une prise DDFT.
- Branchez toujours la rallonge dans une prise DDFT.
- Utilisez seulement des rallonges qui sont conçues pour une utilisation extérieure. Ces rallonges sont identifiées par l'inscription « Acceptable pour une utilisation avec appareil extérieur; entreposez à l'intérieur lorsqu'elle n'est pas utilisée ».
- Utilisez seulement des rallonges ayant un classement électrique qui n'est pas inférieur au classement du produit.
- Ne pas utiliser des rallonges endommagées. Examinez régulièrement la rallonge avant de l'utiliser et remplacez-la si elle est endommagée.
- Ne pas abuser de rallonges et ne pas tirer sur toute rallonge pour débrancher.
- Gardez le cordon à l'écart de la chaleur et des bords coupants.
- Débranchez toujours la rallonge de la prise avant de débrancher le produit de la rallonge.

Utilisation prévue

Cette scie pour carreaux à l'eau est conçue pour la coupe professionnelle de divers carreaux de pierres naturelles de porcelaine ainsi que pour d'autres applications de type de carreaux.

NE PAS couper le bois, les métaux ou les plastiques.

NE PAS utiliser en conditions mouillées ou en présence de liquides ou de gaz inflammables.

NE PAS laisser les enfants entrer en contact avec l'outil. Une supervision est requise lorsque des utilisateurs inexpérimentés utilisent cet outil.

Caractéristiques techniques

Tension	120V
Intensité	15A
tr/min	4200
Profondeur de coupe	80 mm (3-1/8 po)
Angles d'onglet	22,5° and 45°
Dimension des lames	Lames à bords continus de 178 mm (7 po), 203 mm (8 po), 228 mm (9 po) et 254 mm (10 po) et lame à profiler de 152 mm (6 po)

ASSEMBLAGE ET AJUSTEMENTS

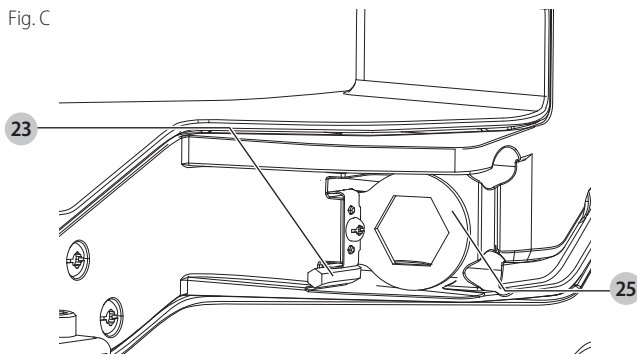
- ⚠ **AVERTISSEMENT** : afin de réduire le risque de blessure corporelle, éteignez l'appareil et débranchez-le la source d'alimentation avant d'effectuer tout ajustement ou de retirer/installer des pièces ou des accessoires. Un déclenchement accidentel du démarrage peut causer des blessures.

Assemblage

Rangement de la clé (Fig. A, C)

Votre scie pour carreaux à l'eau comporte les clés dont vous aurez besoin pour l'assemblage. Une clé hexagonale **23** et une clé de meule de coupe **25** sont rangées à l'arrière de l'assemblage du bras du moteur **2**.

Fig. C



Assemblage du bras du moteur (Fig. A, C-E)

1. Placez la cuve d'eau **15** sur une surface stable plane ou sur le support.
2. Placez l'assemblage du cadre de la scie **16** dans la cuve d'eau **15**.
REMARQUE : Assurez-vous que l'avant de l'assemblage du cadre de la scie soit placé sous le support de la cuve d'eau **53** afin d'assurer un ajustement sécuritaire (Fig. D).
3. À l'aide de la clé hexagonale fournie **23**, retirez les vis **19** de l'assemblage du cadre de la scie.
4. Placez l'assemblage du bras du moteur **2** sur l'assemblage du cadre de la scie (Fig. E).
5. Sécurisez la tête de la scie en installant deux vis **19** dans les trous les plus près de la glissière. Serrez la vis avec la clé hexagonale fournie. Installez les quatre autres vis dans les quatre autres trous et serrez.

Fig. D

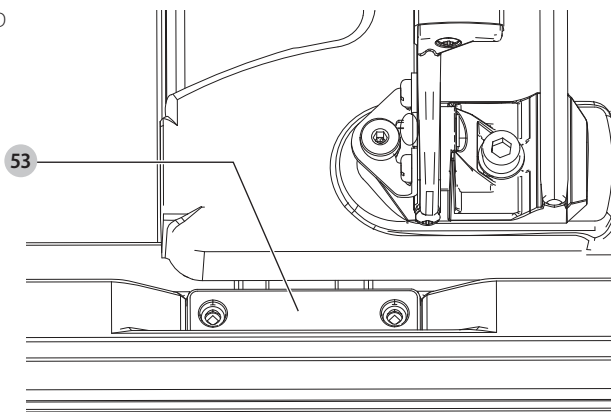
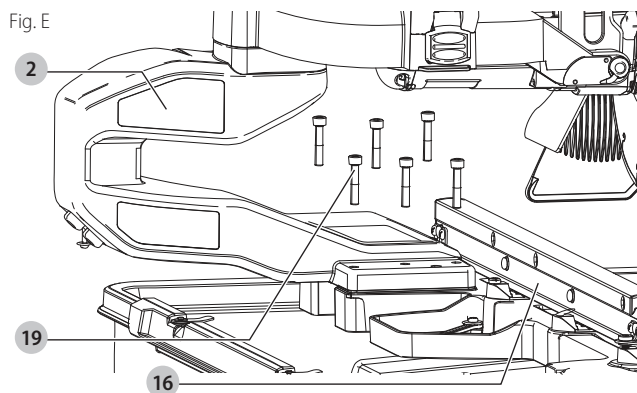


Fig. E



Fixer le chariot de coupe (Fig. F, G, Y)

1. Tournez le bouton d'arrêt du chariot de coupe **18** en position déverrouillée (consultez **Bouton d'arrêt du chariot de coupe**) et glissez le chariot de coupe dans les glissières.
2. Alignez la flèche à l'arrière du chariot de coupe **11** avec la flèche sur la glissière à gauche de l'assemblage du cadre de la scie **16**.
3. Glissez l'assemblage du chariot de coupe sur le système de glissières en dégageant le bouton d'arrêt du chariot de coupe **18** avec les roulettes.
4. Tournez le bouton d'arrêt du chariot de coupe dans la première ou la deuxième position pour garder le chariot de coupe sur les glissières durant l'utilisation. Consultez **Bouton d'arrêt du chariot de coupe** pour la description des positions.

Fig. F

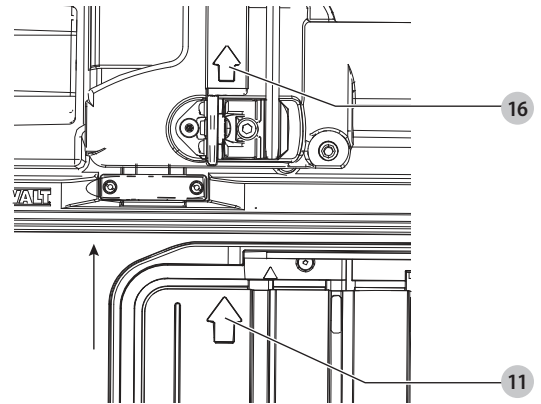
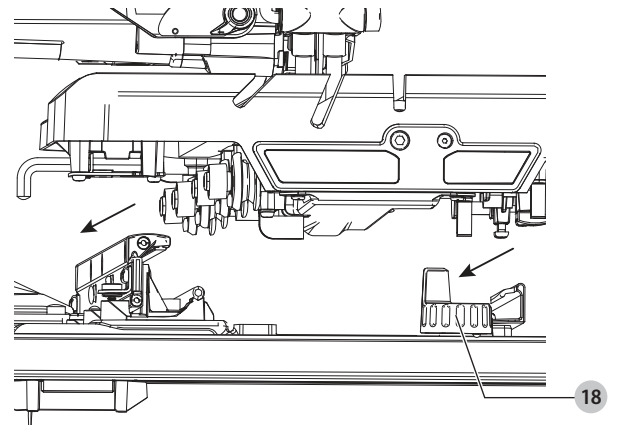


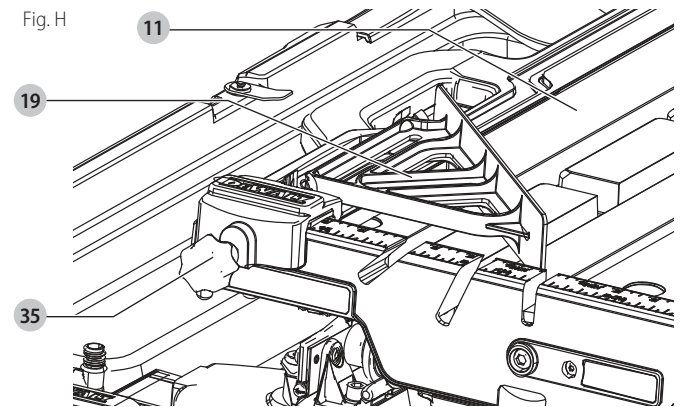
Fig. G



Fixer le guide de bord (Fig. A, H)

1. Placez le guide de bord **19** sur l'assemblage du chariot de coupe **11**.
2. Tournez le verrou du guide de bord **35** dans le sens des aiguilles d'une montre pour serrer.

Fig. H



Assembler la pompe à eau ou les accessoires pour l'eau (Fig. A, I, J)

1. Placez le raccord fileté **26** sur la pompe à eau **27**. Fixez le tube d'eau transparent **28** au raccord fileté (Fig. I).
REMARQUE : La position idéale pour la pompe à eau est dans le coin gauche avant de la cuve d'eau, près du bouchon de vidange.
2. Insérez le cordon d'alimentation de la pompe dans la prise **29** (Fig. J) ou branchez-le dans une prise protégée DDFT.
3. Remplissez la cuve avec 5 gallons (19 litres) d'eau propre. La pompe doit être immergée.
REMARQUE : Pour une durée de vie plus longue de la pompe, placez toujours la pompe dans une source d'eau propre.
REMARQUE : Le bord de la cuve d'eau **55** est la ligne de remplissage maximum. NE PAS remplir la cuve d'eau au-dessus de la ligne de remplissage d'eau maximum.
4. Installez le petit accessoire pour l'eau arrière **8**, le grand accessoire pour l'eau arrière **9** et le pare-éclaboussures **10** au besoin.
5. Installez le petit accessoire pour l'eau du chariot de coupe **12** et le grand accessoire pour l'eau du chariot de coupe **13** au besoin.

Fig. I

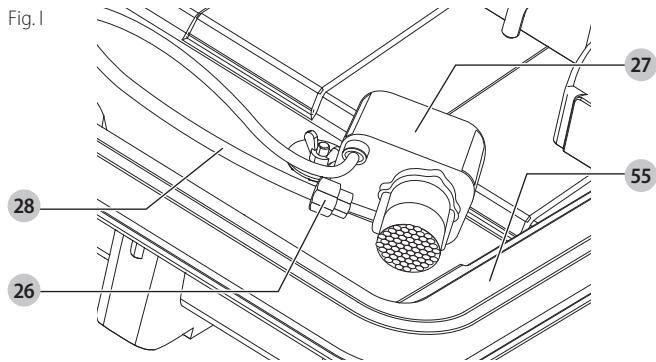
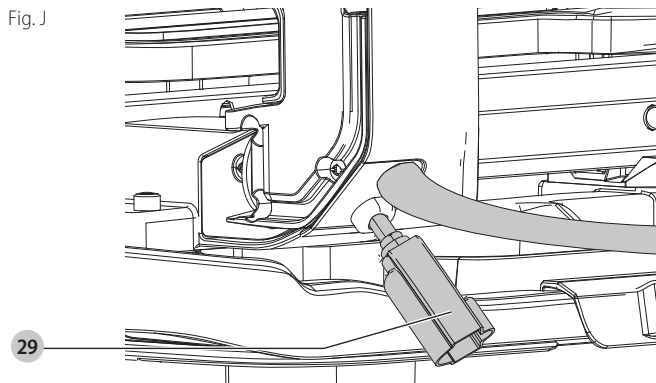


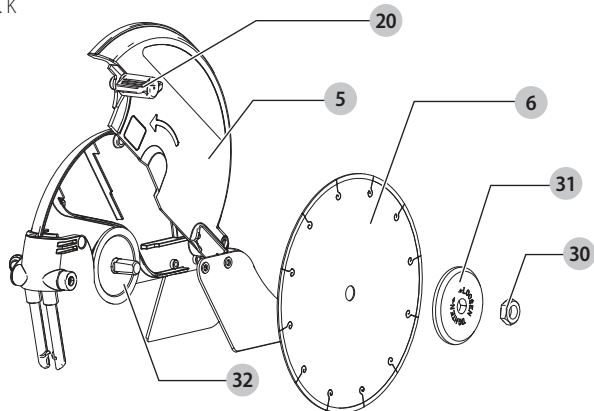
Fig. J



Installer la meule de coupe (Fig. A, C, K, P)

1. Desserrez (ne pas retirer) le bouton du capot de la meule de coupe **20** sur le côté du capot de la meule de coupe **5**. Retirez le rabat latéral en caoutchouc et levez vers l'arrière de la scie.
2. Appuyez sur le bouton de verrouillage de la tige **33**. Retirez l'écrou de la meule de coupe **30** avec la clé **25** fournie de la meule de coupe. Retirez la bride externe **31**.
3. Installez la meule de coupe **6** contre la bride interne **32** avec la flèche rotative indiquant la même direction que la flèche rotative sur le capot de la meule de coupe. Appuyez sur le bouton de verrouillage de la tige **33** pendant que vous serrez l'écrou de la meule de coupe.
4. Remettez le capot et serrez le bouton du capot de la meule de coupe **20**.
5. Ajustez la profondeur de la meule de coupe (consultez *Profondeur de la coupe*).

Fig. K



Réglages

Mettre la meule de coupe à angle droit avec le chariot (Fig. L, M)

1. Ouvrez le capot de la meule de coupe **5** à l'aide du bouton du capot de la meule de coupe **20**.
2. Placez un carré de 90 degrés sur la meule de coupe.
3. Si l'espace n'est pas constant, desserrez le bouton de verrouillage en biseau **41** et ajustez la vis de réglage du biseau à 0° **44** avec la clé fournie jusqu'à ce que la meule de coupe soit à 90° de la surface du chariot.
4. Assurez-vous que la meule de coupe ne touche pas à un des côtés de la rainure dans le chariot de coupe en poussant le chariot au-delà de la meule de coupe avec la scie éteinte.

Fig. L

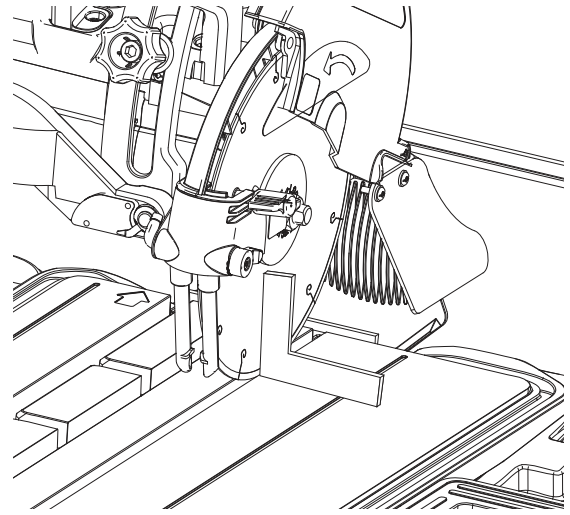
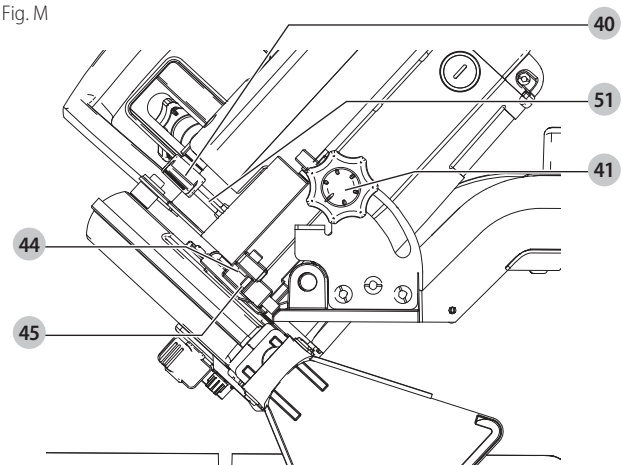


Fig. M



Réglage de la lame à 45° de l'établi (Fig. M)

1. Desserrez le bouton de verrouillage d'angle de biseau et tourner l'organe de coupe jusqu'à un angle de 45° .
2. Mettre un guide de 45° sur la surface de l'établi de coupe, près de la lame. S'il n'est pas placé à 45° , régler la vis de réglage d'angle de biseau de 45° **45** au moyen de la clé fournie jusqu'à ce que la lame atteigne cet angle par rapport à la surface de l'établi.
3. Mettre la scie en position d'arrêt. S'assurer que la lame ne touche pas à l'un ou à l'autre des deux côtés de la rainure de l'établi en poussant ce dernier au-delà de la lame.

Coupe parallèle à l'établi de coupe (Fig. N, O)

1. Déposer un équerre de 90° à plat sur la surface de l'établi, en appuyant un côté contre le guide de l'établi **36**. Faites rouler le chariot vers l'avant de manière à aligner le carré sur la roue de coupe, en le maintenant contre le guide.
2. Si la lame n'est pas à 90° du guide, on doit ajuster le montant.
3. Desserrez les quatre vis de montage de l'ensemble du montant **46**.

Fig. N

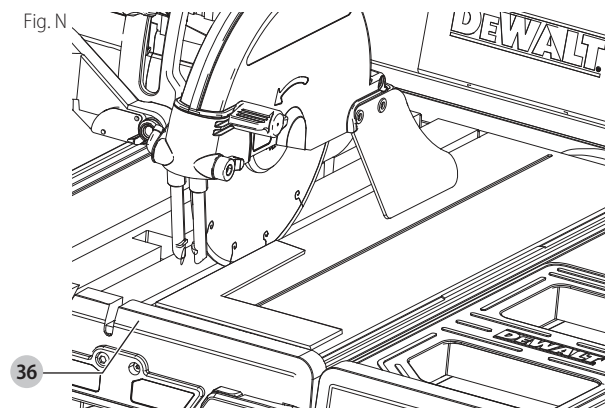
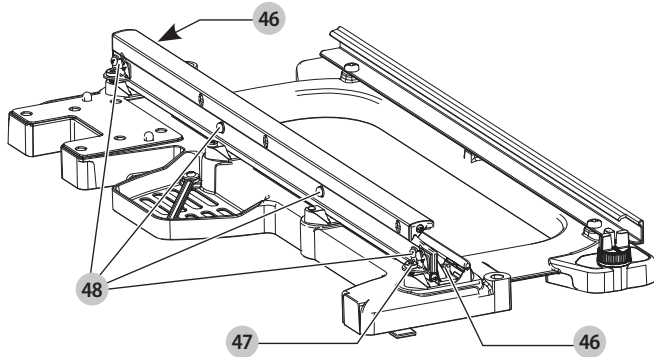


Fig. O



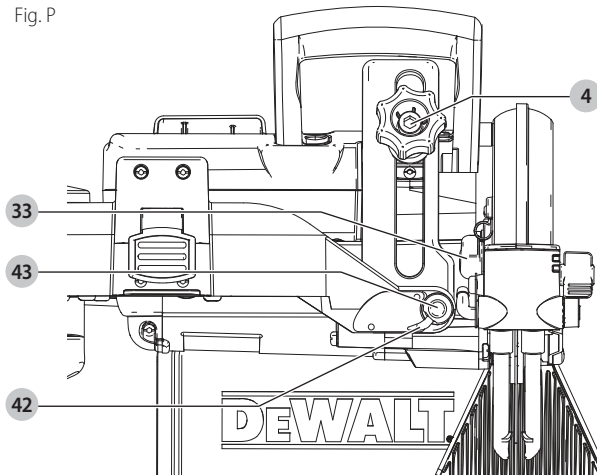
Résistance au Roulement de L'établi (réglage du montant) (Fig. O)

1. Desserrer les quatre vis de réglage de hauteur du montant **48**.
2. Régler les deux boutons de réglage de hauteur du montant **47** jusqu'à ce que l'établi se déplace librement.
3. Serrer les quatre vis.

Indicateur du biseau (Fig. P)

Desserrer la vis de l'indicateur du biseau de 0° **43** et tourner l'indicateur **42** jusqu'à l'endroit voulu.

Fig. P



Profondeur de coupe (Fig. A, M)

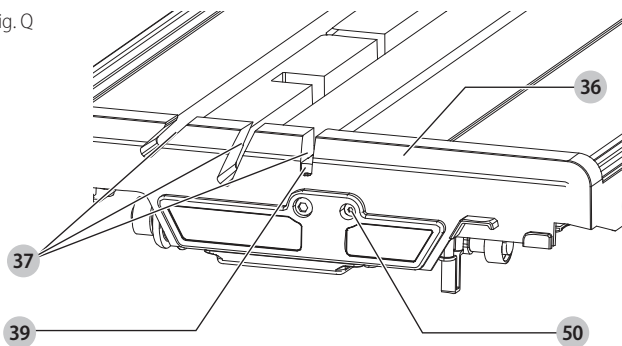
1. Desserrer le bouton de verrouillage de l'organe de coupe **4**.
2. Régler le bouton de réglage de la profondeur de coupe **40** jusqu'à ce que la lame soit placée à au moins 5 mm (3/16 po) sous la surface de l'établi.
3. Arrêter la scie et pousser l'établi au-delà de la lame, en s'assurant que celle-ci ne touche pas à l'établi.
4. Régler le bouton de réglage de la profondeur de coupe puis visser l'écrou à oreille **51** et le bouton de verrouillage de l'organe de coupe **4**.

Indicateur de coupe (Fig. Q)

L'indicateur de coupe **39** aide à aligner la lame pour les coupes longues et diagonales en indiquant l'endroit où la lame doit sortir de la ligne de coupe. On peut utiliser ce dispositif plusieurs fois avant qu'il ne soit nécessaire d'effectuer un réglage.

1. Desserrer la vis de blocage **50**.
2. Tourner l'indicateur de coupe afin d'exposer la surface non coupée.
3. Serrer la vis de blocage.

Fig. Q



FONCTIONNEMENT

AVERTISSEMENT : afin de réduire le risque de blessure corporelle, éteignez l'appareil et débranchez-le la source d'alimentation avant d'effectuer tout ajustement ou de retirer/installer des pièces ou des accessoires. Un déclenchement accidentel du démarrage peut causer des blessures.

Mise en place (Fig. R-T)

- AVERTISSEMENT** : lorsque vous utilisez le support, assurez-vous que vous suivez toutes les instructions et tous les avertissements énumérés dans le guide du support.
- AVERTISSEMENT** : lorsque vous utilisez un grand matériau, assurez-vous TOUJOURS que la fixation du support de la cuve est utilisée pour empêcher de basculer hors du support.
- ATTENTION** : risque de basculement. Un poids excessif sur le chariot lorsque le bouton de positionnement du chariot est tourné à la position 1 pourrait causer un risque de basculement. La taille maximale du carreau pouvant être coupé est de 90 cm x 90 cm x 1.0 cm (36 po x 36 po x 3/8 po) (consultez **Taille maximale des carreaux**). Ne pas couper le carreau ou d'autres matériaux qui sont plus épais que 1 cm (3/8 po) pendant que le bouton d'arrêt du chariot de coupe est à la position 1. Lorsque vous coupez des matériaux étroits, tournez le bouton d'arrêt du chariot de coupe à la position 2. Cela permettra au chariot de demeurer dans la glissière lorsqu'il est tiré vers l'utilisateur à l'avant de la meule de coupe.

1. Placez le support (D24001, voir **Accessoires**) sur une surface plane.
2. Placez la scie dans le support comme illustré dans la Figure R. La cuve a deux fixations **53** entourant la barre transversale avant.
3. Tournez la fixation du support de la cuve **24** en place autour de la barre transversale arrière.

Si vous n'utilisez pas un support, placez la scie sur une surface plane.

Fig. R

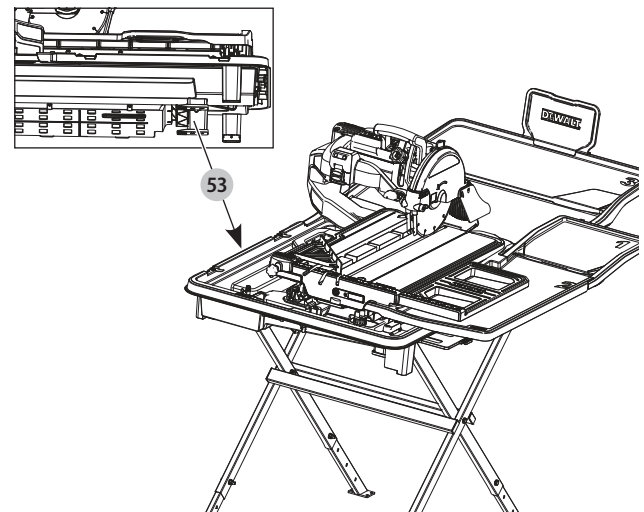


Fig. S

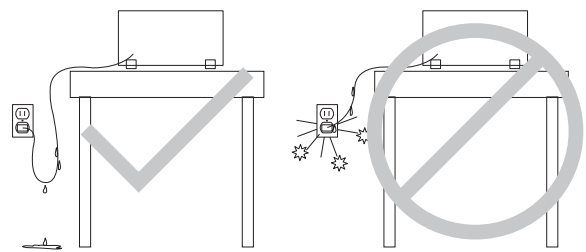
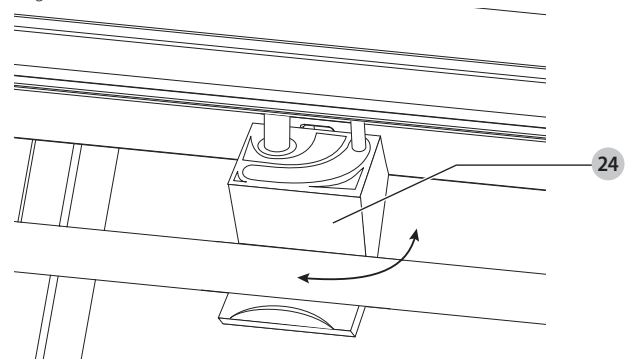


Fig. T



TAILLE MAXIMALE DES CARREAUX

Type de matériel	Taille (jusqu'à) pouces (cm)	Poids max.	Coupe	Position du bouton d'arrêt du chariot de coupe
Carreau	24x24x3/8 (60x60x1,0)	9 kg (20 lb)	Coupe longitudinale ou transversale	2
Carreau	36x36x3/8 (90x90x1,0)	20 kg (45 lb)	Coupe longitudinale ou transversale	1
Carreau	37x8x3/8 (94x20x1,0)	4,5 kg (10 livres.)	Coupe longitudinale	1
Carreau	37x8x3/8 (94x20x1,0)	4,5 kg (10 livres.)	Coupe transversale	2
Pavé	12x12x2 (30,5x30,5x5,0)	11,7 kg (26 livres.)	Coupe longitudinale ou transversale	2
Brique	8,5x4x2,5 (21,5x10,2x6,5)	3,1 kg (7 lb)	Coupe longitudinale ou transversale	2

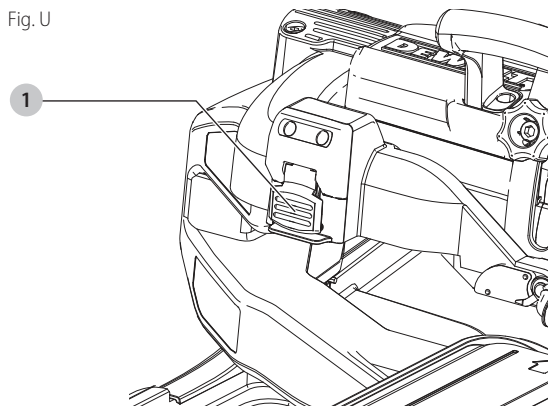
Bouton Marche/Arrêt (Fig. S, U)

AVERTISSEMENT : Afin d'éviter la possibilité que la fiche ou la prise de l'appareil soit mouillée, placez la scie pour carreaux à l'eau sur un côté de la prise murale afin d'empêcher l'eau de dégoutter sur la prise ou la fiche. L'utilisateur doit faire une « boucle d'égouttement » dans le cordon en branchant la scie dans la prise (Fig. S). La « boucle d'égouttement » est la partie du cordon sous le niveau de la prise ou du connecteur si vous utilisez une rallonge, afin d'empêcher l'eau de s'écouler le long du cordon et qu'elle entre en contact avec la prise. Branchez toujours la scie dans une prise DDFT et testez pour confirmer si le DDFT fonctionne correctement. Si la fiche ou la prise devient mouillée, NE PAS débrancher le cordon. Déconnectez le fusible ou le disjoncteur qui alimente l'outil. Puis, débranchez et vérifiez s'il y a de l'eau dans la prise.

- Pour mettre la scie pour carreaux à l'eau en marche, levez le bouton Marche/Arrêt 1.
- La scie pour carreaux à l'eau se met automatiquement en marche.
- Pour éteindre l'outil, poussez le bouton Marche/Arrêt vers le bas.

REMARQUE : Un cadenas peut être utilisé sur bouton pour empêcher une utilisation non autorisée.

Fig. U



Buses d'eau (Fig V–X)

Les buses d'eau 17 sont réglables afin de fournir une quantité maximale d'eau pour la coupe et d'optimiser la capacité en minimisant la pulvérisation excessive et les la formation de gouttelettes. Le levier de réglage 34 permet de régler facilement les buses à la position voulue.

- Position optimale qui réduit au minimum la pulvérisation excessive (Fig. V).
- Les buses d'eau 17 peuvent être complètement escamotées afin d'optimiser la capacité (Fig. W).
- La position d'arrêt de la lame permet d'éliminer la pulvérisation excessive de l'eau entre les coupes et de remplacer les lames (Fig. X).

Fig. V

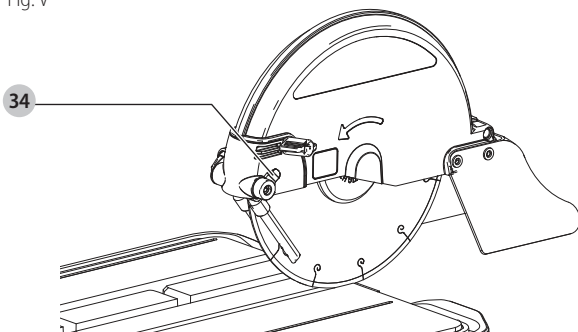


Fig. W

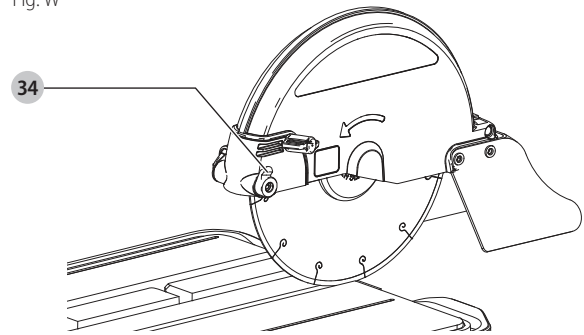
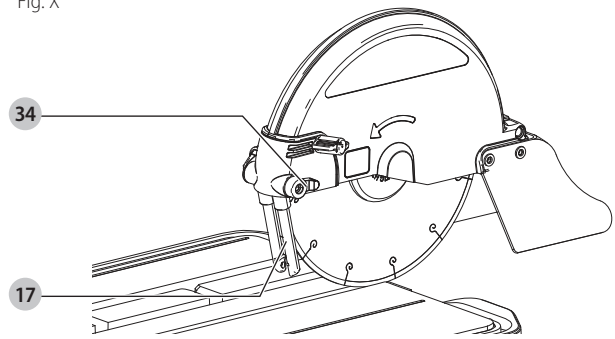


Fig. X

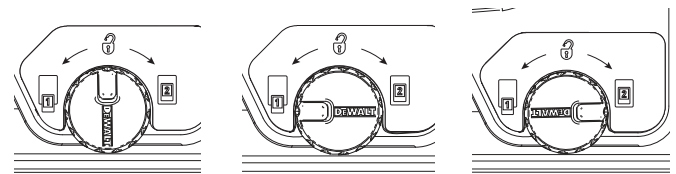


Bouton d'arrêt du chariot de coupe (Fig. A, Y)

Le bouton d'arrêt du chariot de coupe 18 permet à l'utilisateur de ramener le chariot de coupe 11 chaque fois au même point. Pour régler la position, LEVEZ ET TOURNEZ le bouton d'arrêt du chariot de coupe et ramenez le chariot de coupe jusqu'à ce qu'il s'arrête. Il peut être placé à trois positions selon les préférences des utilisateurs.

- Position déverrouillée : Retirez et installez le chariot de coupe
- Position 1 : Capacité de coupe 90 cm (36 po). Le chariot dépasse le cadre.
- Position 2 : Capacité de coupe 45 cm (18 po). Le chariot s'arrête au bord du cadre.

Fig. Y

Position déverrouillée
(Retirez le chariot)

Position 1

Position 2

Réalisation d'une coupe (Fig. A)

Vérifier l'établi de coupe et la lame afin de s'assurer qu'ils sont bien alignés.

1. Tirer l'interrupteur marche-arrêt 1 vers le haut pour mettre la scie en marche. Attendre que le jet d'eau provenant de la pompe couvre complètement la lame.

REMARQUE : La réalisation d'une coupe sans eau endommagera la lame.

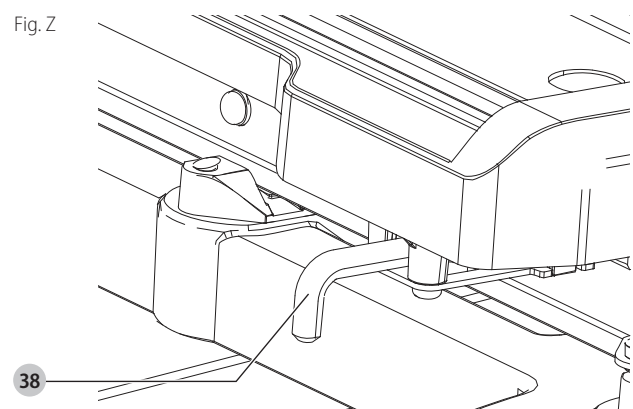
2. Diriger doucement l'établi vers la lame, puis alimenter lentement la tuile dans celle-ci. Continuer à pousser jusqu'à ce que la lame coupe complètement à travers la tuile.
3. Arrêter la scie en poussant l'interrupteur marche-arrêt 1 vers le bas.
4. Une fois que la lame se soit complètement immobilisée, retirer la tuile de l'établi.

Verrouillage de l'établi de coupe (Fig. Z)

L'établi comprend trois positions de verrouillage.

Déplacer l'établi jusqu'à la position voulue et le verrouiller en place en tournant la goupille 38 et en la poussant dans le trou du montant.

Fig. Z



Types de coupes

AVERTISSEMENT : ne pas faire de coupes à main levée.

Effectuez toujours un essai pour vous familiariser avec le trajet de la meule de coupe. Pratiquez sur un bout de carreau afin de vous assurer que vous êtes à l'aise avec la sensation de la coupe. Poussez le chariot après la meule de coupe avant de mettre la scie en marche.

Coupes droites (Fig. Q, AA, BB)

1. À l'aide d'un marqueur ou d'un crayon gras, indiquez la zone à être coupée sur le carreau.
2. Placez le carreau sur le chariot de coupe contre le guide du chariot de coupe **36** et alignez votre marque avec la meule de coupe.
3. Levez le bouton Marche/Arrêt pour mettre la scie en marche et attendez que la meule de coupe soit complètement couverte d'eau.
4. Dirigez le chariot de coupe vers la meule de coupe, puis poussez le carreau dans la meule de coupe. Continuez à pousser jusqu'à ce que la meule de coupe coupe entièrement le carreau.
REMARQUE : Le capot de la meule peut être tourné vers le haut pour aider à aligner la ligne sur le carreau avec la meule de coupe. Dévissez le boulon **54** avec la clé **25** et illustré dans la Fig BB et tournez le capot de la meule.
5. Éteignez la scie.

Coupes diagonales (Fig. Q)

Les coupes diagonales sont également appelées « coupes de long point à long point ».

1. Alignez le point du carreau le plus près du guide du chariot de coupe **36** avec l'indicateur de coupe **39**.
2. Alignez le devant du carreau avec la meule de coupe.
3. Mettez la scie en marche et coupez.
4. Éteignez la scie.

Coupes en L (Fig. Q)

Une coupe en L est une section qui est retirée d'un morceau de carreau et est utilisée lors de la coupe d'un morceau de carreau pour s'ajuster dans un coin d'une armoire ou un morceau de garniture moulée.

1. Tracez le contour de la zone à couper des deux côtés du carreau.
2. Alignez le carreau avec le guide du chariot de coupe **36** et coupez assez loin dans le carreau sans trop couper.
3. Coupez sur l'autre marque sur le carreau sans trop couper.
4. Retournez le carreau et coupez le long d'un des contours, mais cette fois-ci, une surcoupe peut se produire sans endommager la surface exposée du carreau en raison du rayon de meule de coupe. La surcoupe de l'autre ligne et le morceau coupé doivent être séparés du reste du carreau.
5. Éteignez la scie.

Coupes en plongée (Fig. A, M)

Les coupes en plongée sont utilisées lors du retrait du centre d'un morceau de carreau pour les prises électriques et effectuez des coupes pour registres de climatiseurs.

1. Tracez le contour de la zone à couper des deux côtés du carreau.
2. Dégagez la tête de coupe en desserrant le bouton de verrouillage de la tête **4**.
3. Ajustez la profondeur du bouton de coupe **40** à l'arrière du protecteur de la meule de coupe afin d'empêcher la meule de coupe d'aller trop profondément et de couper le chariot de coupe. Effectuez toujours un essai pour vous familiariser avec le trajet de la meule de coupe. Pratiquez sur un bout de carreau afin d'assurer que vous êtes à l'aise avec la sensation de la coupe.
4. Placez le carreau sur le chariot de coupe avec le côté fini vers le haut.
5. Alignez la marque avec la meule de coupe.
6. Mettez la scie en marche. Avec une main sur la poignée de plongée **3** et une main sur le carreau, gardez les deux mains à une distance sécuritaire de la meule de coupe, abaissez lentement la tête de la scie sur le carreau. Coupez dans le carreau jusqu'au bord de la marque sans trop couper.
7. Répétez le processus sur chaque contour sans trop couper.
8. Retournez le carreau. Répétez les étapes 2 et 3 en coupant le long des lignes ce qui permettra au morceau de tomber.
REMARQUE : Les coins peuvent avoir besoin d'être réduits avec des coupe-carreaux (non inclus avec la scie).
9. Éteignez la scie.

Coupes d'onglets : 22,5° et 45° (Fig. A, M, P, Q)

Les coupes d'onglets sont utilisées pour couper les coins extérieurs et intérieurs du carreau, de la cimaise décorative et les moulures de base.

La tête de coupe de la scie est ajustable dans trois positions : 0°, 22,5° ou 45°. Les trois rainures **37** dans le chariot de coupe qui permet de régler la tête de coupe à trois réglages sans couper dans l'assemblage du chariot de coupe **11**.

1. Desserrez le bouton de verrouillage en biseau **41** à l'arrière de la scie et ajustez la tête de la scie selon le bon degré de l'onglet. L'indicateur en biseau **42** à l'avant de la scie affichera l'angle d'ajustement.
2. Effectuez toujours un essai et poussez le chariot après la meule de coupe avant de mettre la scie en marche. Assurez-vous que la meule de coupe est ajustée au centre de la rainure.
3. Faites une marque sur le carreau et alignez-le contre le guide du chariot de coupe et le guide de bord. Effectuez la coupe.
4. Éteignez la scie.

Fig. AA

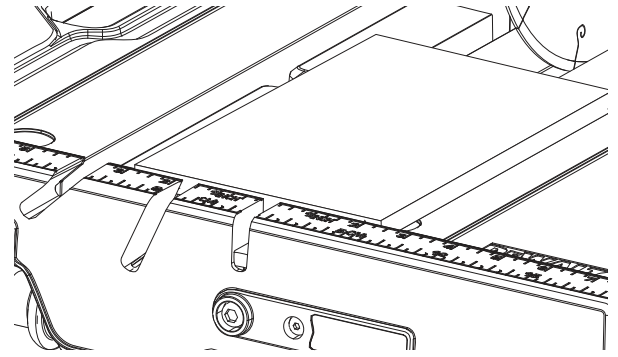
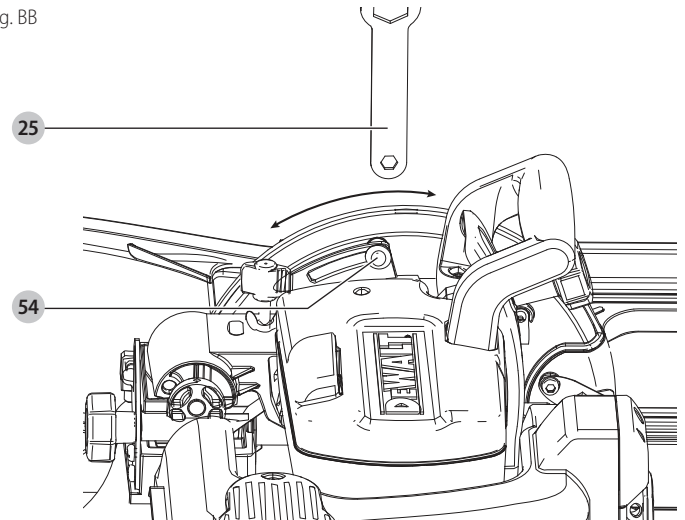


Fig. BB



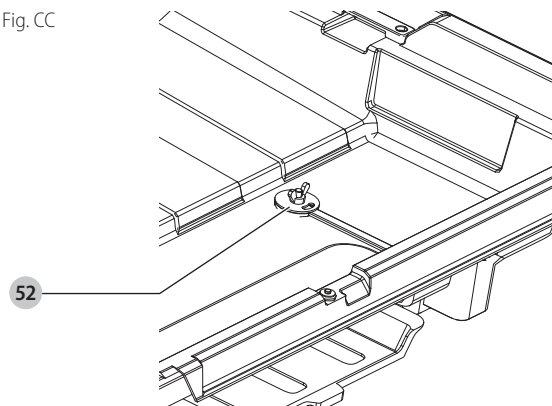
Déplacement de la scie (Fig. CC)

ATTENTION : Ne pas tenter de déplacer la scie lorsque les plateaux sont remplis d'eau afin d'éviter de se blesser.

ATTENTION : verrouillez toujours le chariot de coupe avant de déplacer ou de transporter la scie.

Avant de déplacer la scie, s'assurer de vider la cuvette d'eau en plaçant un seau de 19 litres (5 gallons) sous le bouchon de vidange **52**. Retirer le bouchon et laisser l'eau s'écouler dans le seau.

Fig. CC



MAINTENANCE

AVERTISSEMENT : afin de réduire le risque de blessure corporelle, éteignez l'appareil et débranchez-le la source d'alimentation avant d'effectuer tout ajustement ou de retirer/installer des pièces ou des accessoires. Un déclenchement accidentel du démarrage peut causer des blessures.

Transport et entreposage (Fig. DD)

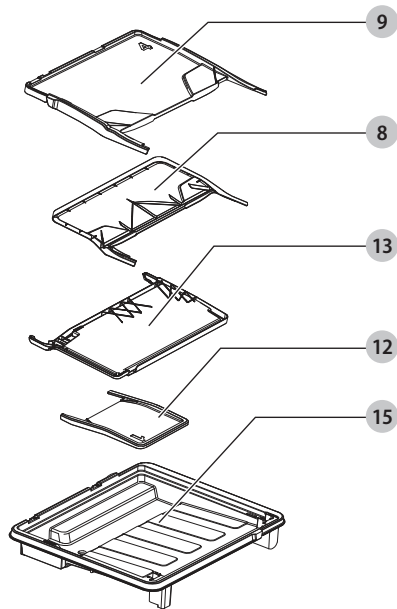
AVERTISSEMENT : pour sa propre sécurité et afin d'éviter les risques de blessures graves, il est recommandé de se mettre à deux personnes pour soulever cet appareil.

ATTENTION : verrouillez toujours le chariot de coupe avant de déplacer ou de transporter la scie.

Les accessoires pour l'eau arrière **8**, **9** les accessoires pour l'eau du chariot de coupe **12**, **13** et la cuve d'eau **15** peuvent être emboîtés ensemble pour faciliter le transport (Fig. DD).

Les accessoires sont numérotés de 1 à 4. Les accessoires doivent correspondre à l'ordre illustré dans la Fig. DD en commençant par l'accessoire pour l'eau du chariot de coupe **12** afin de les placer correctement.

REMARQUE : Le grand accessoire pour l'eau du chariot de coupe **13** et le petit accessoire pour l'eau arrière **8** sont entreposés à l'envers.



Nettoyage

AVERTISSEMENT : enlever les saletés et la poussière hors des événements au moyen d'air comprimé propre et sec, au moins une fois par semaine. Pour minimiser le risque de blessure aux yeux, toujours porter une protection oculaire conforme à la norme ANSI Z87.1 lors du nettoyage.

AVERTISSEMENT : ne jamais utiliser de solvants ni d'autres produits chimiques puissants pour nettoyer les pièces non métalliques de l'outil. Ces produits chimiques peuvent affaiblir les matériaux de plastique utilisés dans ces pièces. Utiliser un chiffon humecté uniquement d'eau et de savon doux. Ne jamais laisser de liquide pénétrer dans l'outil et n'immerger aucune partie de l'outil dans un liquide.

1. Éteignez la scie et débranchez-la de la source d'alimentation.
2. Placez un seau de 5 gallons (19 litres) sur le bouchon de vidange. Retirez le bouchon de vidange en desserrant l'écrou à oreilles fixé et laissez l'eau se vider dans le seau.
3. Glissez le chariot de coupe hors du système de glissières. Vaporisez le chariot de coupe avec un tuyau ou essuyez avec une éponge ou un chiffon à coulis.
4. Essuyez les glissières avec une éponge à coulis ou un chiffon. Les lubrifiants à vaporiser ne sont pas nécessaires sur la glissière ou les meules.
5. Nettoyez le réservoir d'eau en l'essuyant avec une éponge à coulis.

AVERTISSEMENT : ne pas vaporiser avec de l'eau. Une certaine quantité d'eau peut atteindre la zone du moteur.

Utilisez seulement un savon doux et un linge humide pour nettoyer l'outil. Plusieurs nettoyeurs domestiques contiennent des produits chimiques qui pourraient altérer le plastique de façon permanente. De plus, ne pas utiliser de l'essence, de la térébenthine, du vernis ou du diluant, des liquides de nettoyage à sec ou des produits semblables. Évitez de laisser un liquide entrer à l'intérieur de l'outil, ne jamais immerger toute pièce de l'outil dans un liquide.

Lubrification

AVERTISSEMENT : NE JAMAIS pulvériser, ni appliquer de quelque manière que ce soit, un lubrifiant ou un solvant de nettoyage à l'intérieur de l'outil, car cela pourrait nuire sérieusement à la vie et au rendement de l'outil et entraîner des risques de blessure.

Les outils DEWALT sont lubrifiés en usine et sont donc prêts à utiliser. Cependant, on recommande d'apporter ou d'envoyer l'outil une fois par année dans un centre de service qualifié afin qu'il puisse être complètement nettoyé et inspecté.

Accessoires

AVERTISSEMENT : puisque les accessoires autres que ceux offerts par DEWALT n'ont pas été testés avec ce produit, leur utilisation pourrait s'avérer dangereuse. Pour réduire le risque de blessures, utiliser exclusivement les accessoires DEWALT recommandés avec le présent produit.

Les accessoires recommandés pour cet outil sont vendus séparément au centre de service de votre région. Pour obtenir de l'aide concernant l'achat d'un accessoire, communiquer avec DEWALT, composer le 1 800 433-9258 (1 800 4-DEWALT) ou visiter notre site Web : www.dewalt.com.

Support

Support de la scie pour carreaux robuste D24001

Meules de coupe

178 mm (7 po)	DW4760 – Meule de coupe pour couper des carreaux de céramique à l'eau
178 mm (7 po)	DW4766 – Meule de coupe pour couper des carreaux de porcelaine à l'eau
178 mm (7 po)	DWA4768 – Meule de coupe pour couper des carreaux de vitre à l'eau
254 mm (10 po)	DW4761 – Meule de coupe pour couper des carreaux de céramique à l'eau
254 mm (10 po)	DW4764 – Meule de coupe pour couper des carreaux de porcelaine à l'eau
254 mm (10 po)	DWA4769 – Meule de coupe pour couper des carreaux de porcelaine à l'eau

ATTENTION : l'utilisation de tout autre accessoire non conçu pour cet outil pourrait être dangereuse.

Réparations

AVERTISSEMENT : pour assurer la SÉCURITÉ et la FIABILITÉ du produit, les réparations, l'entretien et les réglages doivent être réalisés (cela comprend l'inspection et le remplacement du balai, le cas échéant) par un centre de réparation en usine DEWALT ou un centre de réparation agréé DEWALT. Toujours utiliser des pièces de rechange identiques.

Registre en ligne

Merci pour votre achat. Enregistrez dès maintenant votre produit:

- **RÉPARATIONS SOUS GARANTIE:** cette carte remplie vous permettra de vous prévaloir du service de réparations sous garantie de façon plus efficace dans le cas d'un problème avec le produit.
- **CONFIRMATION DE PROPRIÉTÉ:** en cas de perte provoquée par un incendie, une inondation ou un vol, cette preuve de propriété vous servira de preuve auprès de votre compagnie d'assurances.
- **SÉCURITÉ:** l'enregistrement de votre produit nous permettra de communiquer avec vous dans l'éventualité peu probable de l'envoi d'un avis de sécurité régi par la loi fédérale américaine de la protection des consommateurs.
- Registre en ligne à www.dewalt.com

Garantie limitée de trois ans

DEWALT réparera ou remplacera sans frais tout appareil défectueux pour cause de défaut de matériau ou de main-d'œuvre sur une période de trois ans à partir de la date d'achat de l'outil. Cette garantie ne couvre pas les pièces en panne pour cause d'abus ou d'usure normale de l'outil. Pour plus de détails au sujet de la couverture de la garantie et l'information de réparation sous garantie, visitez www.dewalt.com ou composez le 1-800-4-DEWALT (1-800-433-9258). Cette garantie ne s'applique pas aux accessoires ou dommages causés par des réparations effectuées ou tentées par d'autres. CETTE GARANTIE REMPLACE TOUTES LES AUTRES, INCLUANT LES GARANTIES IMPLICITES DE LA QUALITÉ MARCHANDE ET L'APTITUDE POUR UN BUT PARTICULIER, ET EXCLUT TOUS LES DOMMAGES ACCIDENTELS OU CONSÉCUTIFS. Certaines provinces ne permettent pas de limitation sur la durée de la garantie implicite ou l'exclusion ou la limitation de dommages indirects, alors ces limitations peuvent ne pas s'appliquer à vous. Cette garantie vous donne des droits légaux particuliers et vous pouvez avoir d'autres droits qui varient selon les états ou les provinces. En plus de la présente garantie, les outils DEWALT sont couverts par notre

CONTRAT D'ENTRETIEN GRATUIT D'UN AN

DEWALT entretiendra l'outil et remplacera les pièces usées au cours d'une utilisation normale et ce, gratuitement, pendant une période d'un an à compter de la date d'achat.

GARANTIE DE REMBOURSEMENT DE 90 JOURS

Si l'acheteur n'est pas entièrement satisfait, pour quelque raison que ce soit, du rendement de l'outil électrique ou de la cloueuse DEWALT, celui-ci peut le retourner, accompagné d'un reçu, dans les 90 jours à compter de la date d'achat pour obtenir un remboursement intégral, sans aucun problème.

AMÉRIQUE LATINE : cette garantie ne s'applique aux produits vendus en Amérique latine. Pour ceux-ci, veuillez consulter les informations relatives à la garantie spécifique présente dans l'emballage, appeler l'entreprise locale ou consulter le site Web pour les informations relatives à cette garantie.

REMPLACEMENT GRATUIT DES ÉTIQUETTES D'AVERTISSEMENT : si les étiquettes d'avertissement deviennent illisibles ou sont manquantes, composer le 1-800-4-DEWALT (1-800-433-9258) pour en obtenir le remplacement gratuit.

Guide de dépannage

ASSUREZ-VOUS DE SUIVRE LES RÈGLES DE SÉCURITÉ ET LES INSTRUCTIONS

DE NOMBREUX PROBLÈMES COMMUNS PEUVENT FACILEMENT ÊTRE RÉSOLUS À L'AIDE DU TABLEAU CI-DESSOUS. POUR DES PROBLÈMES PLUS GRAVES OU PERSISTANTS, CONTACTEZ UN CENTRE DE SERVICES DEWALT OU APPELEZ AU 1-(800)-4-DEWALT.

Problème!	Que se passe-t-il?	Ce qu'il faut faire
La scie ne démarre pas	La scie n'est pas branchée.	Branchez la scie.
	DDFT déclenché.	Poussez sur le bouton pour éteindre et poussez sur le bouton de réinitialisation sur le DDFT.
	La scie ne fonctionne pas (branchée, en marche).	Poussez sur le bouton pour éteindre et poussez sur le bouton de réinitialisation sur le DDFT.
	Fusible sauté ou disjoncteur déclenché.	Appuyez sur le bouton pour éteindre et remplacez le fusible ou réinitialisez le disjoncteur.
	Cordon endommagé.	Faites remplacer le cordon dans un centre de services autorisé.
	Les brosses sont usées.	Faites remplacer les brosses dans un centre de services autorisé.
La scie fait des coupes non satisfaisantes	La meule de coupe est émoussée.	Remplacez la meule de coupe. Consultez Installer la meule de coupe .
	La pompe à eau ne pompe pas l'eau.	Retirez la pompe à eau et vaporisez avec de l'eau propre pour déloger la turbine.
	La meule de coupe est installée à l'envers.	Tournez la meule de coupe. Consultez Installer la meule de coupe .
	Accumulation sur la meule de coupe.	Utilisez une pierre à dresser pour enlever l'accumulation.
	Mauvaise meule de coupe pour le travail à être effectué.	Changez la meule de coupe. Consultez Installer la meule de coupe .
La meule de coupe ne prend pas de vitesse	Rallonge trop courte ou trop longue.	Remplacez par une rallonge de taille appropriée. Consultez Calibre minimum pour rallonges électriques .
	L'axe n'est pas serré.	Serrez l'axe.
	Tension faible à la maison.	Contactez votre compagnie d'électricité.
L'appareil vibre de façon excessive	La scie n'est pas installée de façon sécuritaire sur le support.	Replacez la cuve d'eau sur le support.
	Support ou banc sur un plancher inégal.	Replacez sur une surface plane.
	La meule de coupe de la scie est endommagée.	Remplacez la meule de coupe. Consultez Installer la meule de coupe .
Ne fait pas des coupes précises	L'accessoire latéral du chariot de coupe n'est pas fixé au guide.	Vérifiez et ajustez. Serrez le bouton de fixation latérale.
	La meule de coupe n'est pas au carré avec le guide du chariot.	Vérifiez et ajustez. Consultez Meule de coupe parallèle au chariot .
	La meule de coupe n'est pas perpendiculaire à la surface du chariot.	Vérifiez et ajustez le guide du chariot. Consultez Meule de coupe à angle droit avec le chariot .
	La pièce de travail bouge.	Utilisez l'accessoire latéral et guide de bord.

Definiciones: Símbolos y Palabras de Alerta de Seguridad

Este manual de instrucciones utiliza los siguientes símbolos y palabras de alerta de seguridad para alertarle de situaciones peligrosas y del riesgo de lesiones corporales o daños materiales.



PELIGRO: Indica una situación de peligro inminente que, si no se evita, provocará **la muerte o lesiones graves**.



ADVERTENCIA: Indica una situación de peligro potencial que, si no se evita, **podría** provocar **la muerte o lesiones graves**.



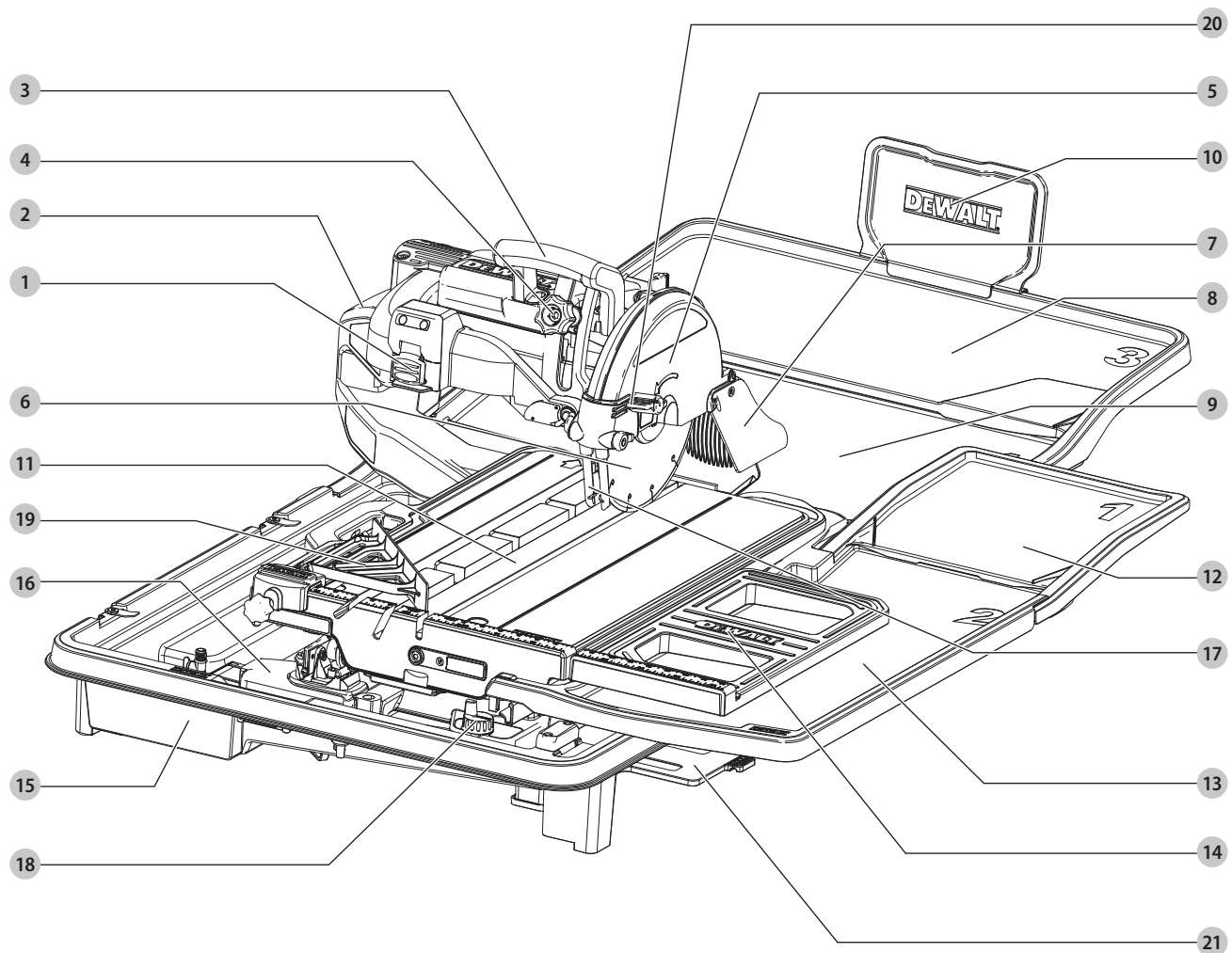
ATENCIÓN: Indica una situación de peligro potencial que, si no se evita, **posiblemente** provocaría **lesiones leves o moderadas**.



(Utilizado sin palabras) indica un mensaje de seguridad relacionado.

AVISO: Se refiere a una práctica **no relacionada a lesiones corporales** que de no evitarse **puede** resultar en **daños a la propiedad**.

Fig. A



- | | |
|--|---|
| 1 Interruptor On/Off (Encendido/Apagado) | 12 Conexión de agua pequeña de carro de corte |
| 2 Ensamble de brazo de motor | 13 Conexión de agua grande de carro de corte |
| 3 Manija de caída | 14 Conexión de lado de carro de corte |
| 4 Perilla de bloqueo de cabeza | 15 Charola de agua |
| 5 Cubierta de rueda de corte | 16 Ensamble de marco de sierra |
| 6 Rueda de corte | 17 Boquillas de agua |
| 7 Aro de refuerzo de hule | 18 Perilla de tope de carro de corte |
| 8 Conexión de agua pequeña trasera | 19 Guía de borde |
| 9 Conexión de agua grande trasera | 20 Perilla de cubierta de rueda de corte |
| 10 Protección contra salpicaduras | 21 Almacenamiento |
| 11 Ensamble de carro de corte | |



ADVERTENCIA: Lea todas las advertencias de seguridad e instrucciones. El incumplimiento de las advertencias e instrucciones puede provocar descargas eléctricas, incendios o lesiones graves.



ADVERTENCIA: Para reducir el riesgo de lesiones, lea el manual de instrucciones. Si tiene alguna duda o algún comentario sobre ésta u otra herramienta DEWALT llámenos al número gratuito: (1-800-433-9258).

**Sierra de Azulejos Húmedos de Alta Capacidad de 254 mm (10")
D36000, D36000S**

ADVERTENCIAS E INSTRUCCIONES DE SEGURIDAD IMPORTANTES

- ⚠️ ADVERTENCIA:** Para reducir el riesgo de lesiones:
- Antes de cualquier uso, asegúrese que cualquiera que use esta herramienta lea y entienda todas las instrucciones de seguridad y otra información contenida en este manual.
 - Conserve estas instrucciones y revíselas con frecuencia antes del uso y al instruir a otros.
- MANTENGA LAS PROTECCIONES EN SU LUGAR** y en buen estado de operación.
 - RETIRE LAS LLAVES Y LLAVES DE TUERCA DE AJUSTE.** Forme el hábito de verificar para ver que las llaves y las llaves de tuerca de ajuste estén retiradas de la herramienta antes de encenderla.
 - MANTENGA EL ÁREA DE TRABAJO LIMPIA.** Las áreas y bancos abarrotados pueden producir accidentes.
 - NO UTILICE EN UN AMBIENTE PELIGROSO. No use herramientas eléctricas en lugares húmedos o mojados, ni las esponja a la lluvia.** Mantenga el área de trabajo bien iluminada.
 - MANTENGA A LOS NIÑOS ALEJADOS.** Todos los visitantes deben mantener una distancia segura del área de trabajo.
 - HAGA SU TALLER A PRUEBA DE NIÑOS** con candados, interruptores maestros, o retirando las llaves de arranque.
 - NO FUERCE LA HERRAMIENTA.** Hará el trabajo mejor y con más seguridad en la velocidad para la que está diseñada.
 - USE LA HERRAMIENTA CORRECTA.** No fuerce la herramienta o el accesorio para hacer un trabajo para el que no estén diseñados.
 - USE EL CABLE DE EXTENSIÓN ADECUADO.** Asegúrese que su cable de extensión esté en buenas condiciones. Cuando use un cable de extensión asegúrese de usar uno lo suficientemente pesado para llevar la corriente que usará su producto. Un cable de tamaño inferior causará una caída en el voltaje en línea que resulta en una pérdida de energía y sobrecalentamiento. El calibre mínimo para juegos de cable muestra el tamaño correcto a usar dependiendo de la longitud del cable y la clasificación de amperes de la placa de identificación. Si tiene duda, use el calibre más pesado siguiente. Mientras menor sea el número de calibre, más pesado será el cable.
 - USE VESTIMENTA ADECUADA.** No use ropa holgada, guantes, corbatas, anillos, brazaletes u otra joyería que puedan quedar atrapados en las partes móviles. Se recomienda calzado antiderrapante. Use una cubierta de protección para el cabello para cubrir el cabello largo.
 - SIEMPRE USE LENTES DE SEGURIDAD. También use una careta o máscara de polvo si la operación de corte produce polvo.** Los anteojos de uso diario sólo tienen lentes resistentes contra impacto, NO son gafas de seguridad.
 - TRABAJO SEGURO.** Use abrazaderas o un tornillo de banco para sostener el trabajo cuando sea práctico. Es más seguro que usar su mano y mantiene libres ambas manos para operar la herramienta.
 - NO SE EXTRALIMITE.** Mantenga una base de apoyo y equilibrio adecuados en todo momento.
 - MANTENGA LAS HERRAMIENTAS CON CUIDADO.** Mantenga las herramientas afiladas y limpias para obtener el mejor y más seguro rendimiento. Siga las instrucciones para lubricar y cambiar los accesorios.
 - DESCONECTE LAS HERRAMIENTAS** antes de realizar el mantenimiento; cuando se cambian accesorios, como cuchillas, brocas, cortadores y similares.
 - REDUZCA EL RIESGO DE ARRANQUE INADVERTIDO.** Asegúrese que el interruptor esté en la posición de apagado antes de conectarlo.
 - USE LOS ACCESORIOS RECOMENDADOS.** Consulte el manual del propietario respecto a los accesorios recomendados. El uso de accesorios inadecuados puede causar el riesgo de lesiones a las personas.
 - NUNCA SE PARE SOBRE LA HERRAMIENTA.** Podrían ocurrir lesiones serias si se inclina la herramienta o se hace contacto inadvertidamente con la herramienta de corte.
 - REVISE LAS PARTES DAÑADAS.** Antes del uso adicional de la herramienta, se debe revisar cuidadosamente una protección u otra parte que esté dañada para determinar que funcionará adecuadamente y realizará su función pretendida—revise la alineación de las partes móviles, atascamiento de partes móviles, ruptura de partes, montaje y cualquier otra condición que pueda afectar su operación. Una protección u otra parte que esté dañada se debe reparar o reemplazar adecuadamente.
 - DIRECCIÓN DE ALIMENTACIÓN.** Alimente el trabajo hacia la cuchilla o cortador contra la dirección de rotación de la cuchilla o cortador únicamente.
 - NUNCA DEJE LA HERRAMIENTA EN OPERACIÓN SIN SUPERVISIÓN. APAGUE LA ENERGÍA.** No deje la herramienta hasta que se detenga por completo.

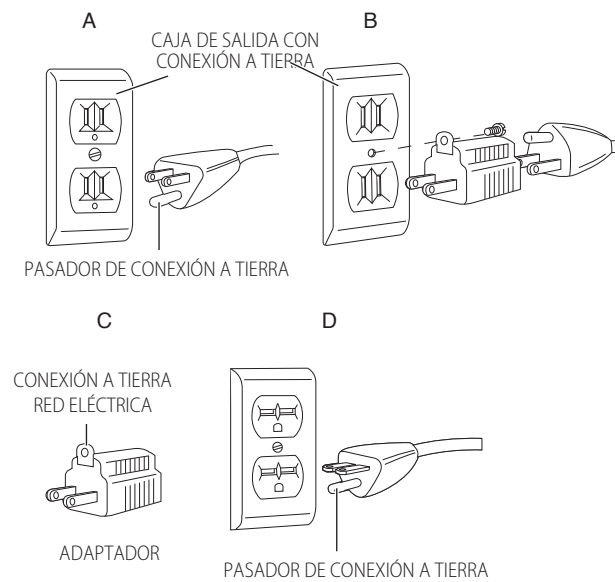
Instrucciones de Conexión a Tierra (Fig. B)

- En el caso de falla o descompostura, la conexión a tierra proporciona una ruta de menor resistencia para la corriente eléctrica para reducir el riesgo de descarga eléctrica. Esta herramienta está equipada con un cable eléctrico que tiene un conductor de conexión a tierra de equipo y un enchufe de conexión a tierra. El enchufe se debe conectar a un tomacorriente de empate que esté instalado adecuadamente y conectado a tierra de acuerdo con todos los códigos y ordenanzas locales.
- No modifique el enchufe provisto; si no se ajusta al tomacorriente, solicite que un electricista calificado instale un tomacorriente adecuado.

- La conexión inadecuada del conductor de conexión a tierra del equipo puede resultar en un riesgo de descarga eléctrica. El conductor con aislamiento que tiene una superficie exterior verde con o sin franjas amarillas es el conductor de conexión a tierra del equipo. Si es necesaria la reparación o reemplazo del cable o enchufe eléctrico, no conecte el conductor de conexión a tierra del equipo a una terminal con corriente.
- Revise con un electricista calificado o personal de servicio si no entiende por completo las instrucciones de conexión a tierra, o si tiene duda sobre si la luz de trabajo está conectada a tierra adecuadamente.
- Use sólo cables de extensión de 3 hilos que tengan enchufes de 3 clavijas con conexión a tierra y receptáculos de 3 polos que acepten el enchufe de la herramienta.
- Repare o reemplace el cable dañado o desgastado inmediatamente.

Esta herramienta se debe conectar a tierra mientras está en uso para proteger al operador contra descargas eléctricas. La herramienta está equipada con un cable de 3 conductores y un enchufe de conexión a tierra de 3 clavijas para adaptarse al receptáculo de conexión a tierra adecuado. El conductor verde (o verde y amarillo) del cable es el cable de conexión a tierra. Nunca conecte el cable verde (o verde y amarillo) a un terminal con corriente. Si su unidad está diseñada para usarse con menos de 150 V, tiene un enchufe que se ve como se muestra en el diagrama A. Si es para uso en 150 a 250 V, tiene un enchufe que se ve como se muestra en el diagrama D. Un adaptador, diagramas B y C, está disponible para conectar enchufes del tipo del diagrama A a receptáculos de 2 clavijas. La oreja de color verde o similar, que se extiende del adaptador se debe conectar a una conexión a tierra permanente como una caja de tomacorriente con conexión a tierra adecuada. No hay un adaptador disponible para un enchufe como se muestra en el diagrama D. EL ADAPTADOR MOSTRADO EN LOS DIAGRAMAS B y C NO ES PARA USO EN CANADÁ.

Fig. B



- ⚠️ ADVERTENCIA:** Para reducir el riesgo de electrocución, mantenga todas las conexiones secas y alejadas del suelo. No toque el enchufe con las manos húmedas.
- ⚠️ ADVERTENCIA:** La sierra y la bomba se debe conectar en un receptáculo protegido GFCI. Pruebe el GFCI antes de cada uso. No lo use si el GFCI falla.
- ⚠️ ADVERTENCIA:** Nunca use una sierra con agua salada o un fluido conductivo.

NOTA: No opere la bomba en seco.

Reglas de Seguridad Adicionales para Sierra de Azulejos Húmeda

- ⚠️ ATENCIÓN:** Use protección auditiva adecuada durante el uso. Bajo algunas condiciones y duración de uso, el ruido de este producto puede contribuir con la pérdida auditiva.
- ⚠️ ATENCIÓN:** No conecte la unidad a la fuente de energía eléctrica hasta que haya leído y entendido las instrucciones completas.
- NO** opere la sierra sin la cubierta de rueda de corte en su lugar.
- Limpie la sierra de azulejo después de cada uso para la operación óptima.
- Use equipo de seguridad. Siempre use protección para los ojos. Se deben usar máscara para polvo, zapatos de protección anti-deslizables, casco, o protección auditiva para las condiciones apropiadas.
- Mantenga las manos alejadas de la rueda de corte. **NUNCA CORTE UNA PIEZA DONDE LA MANO ESTÉ A 3" (76 mm) O MENOS DE LA RUEDA DE CORTE.**
- No realice ninguna operación a mano alzada, esto es, sin sostener la pieza de trabajo firmemente contra la cerca o la guía de borde.
- Nunca pase por detrás de la rueda de corte.
- NO** - Corte en seco. Si la rueda de corte no se enfría con agua, ocurrirá daño serio. El corte en seco incrementará la exposición a polvo transportado por aire dañino.
- Apague la herramienta y espere que la rueda de corte se detenga antes de mover la pieza de trabajo o cambiar los ajustes.
- Para reducir el riesgo de lesiones, regrese el carro a la posición completamente atrás después de cada corte.
- SÍ** - Use la extensión del carro de corte para soportar un azulejo grande.
- SÍ** - Asegúrese que la rueda de corte gire en la dirección correcta como se indica por la flecha en la rueda de corte.

- **SÍ** - Asegúrese que todas las manijas y perillas de sujeción estén apretadas antes de comenzar cualquier operación.
- **SÍ** - Asegúrese que todas las arandelas de la rueda de corte y de abrazadera estén limpias y los lados rebajados de los collares estén contra la rueda de corte. Apriete la tuerca del eje firmemente.
- **SÍ** - Mantenga la rueda de corte alineada adecuadamente.
- **SÍ** - Mantenga las ranuras de aire del motor libres de virutas y suciedad.
- **SÍ** - Siempre vacíe el agua del depósito y desconecte de la fuente de energía antes de transportar. El agua puede salpicar dentro de los componentes eléctricos.
- **SÍ** - Mantenga las manos alejadas de la rueda de corte.
- **SÍ** - Apague la energía, desconecte el cable de la fuente de energía y espere que la rueda de corte se detenga antes de dar servicio, ajustar la herramienta o cambiar la rueda de corte.
- **NO** - Intente operar en ningún voltaje diferente al designado. El voltaje incorrecto puede resultar en descarga, incendios, u operación imprevisible.
- **NO** - Opere a menos que todas las perillas y abrazaderas estén apretadas.
- **NO** - Use ruedas de corte más grande o pequeñas a las recomendadas.
- **NO** - Fuerce la acción de corte. Permita que el motor alcance la velocidad completa antes de cortar. El ahogamiento o ahogamiento parcial del motor puede causar daño serio.
- **NO** - Use ruedas abrasivas de corte de metal. El calor excesivo y partículas abrasivas generadas por ello dañarán la sierra.
- **SÍ** - Use ruedas de borde continuo únicamente, no bordes aserrados o ruedas de corte con dientes.
- **NO** - Permita que nadie se pare detrás de la sierra.
- **NO** - Coloque ninguna mano en el área de la rueda de corte cuando la sierra esté conectada a la fuente de energía.
- **NO** - Use ruedas de corte con capacidad menor a 5000 R.P.M.
- **NO** - Coloque las manos más cerca a 76 mm (3") de la rueda de corte.
- **NO** - Pase las manos por detrás o debajo de la sierra a menos que esté apagada y desconectada.
- **NO** - Mueva ninguna mano de la sierra o la pieza de trabajo hasta que la rueda de corte se haya detenido.
- **TRABAJO SEGURO.** Siempre coloque el azulejo plano sobre el carro y firmemente contra la cerca.
- **NUNCA USE UN CALENTADOR DE CHAROLA U OTRA FUENTE DE CALOR PARA CALENTAR EL AGUA.** Puede resultar en daño a la herramienta, un incendio, o lesiones personales."
- Si el enchufe o receptáculo se moja, **NO** desconecte el cable. Desconecte el fusible o el interruptor de circuito que suministra energía a la herramienta. Después desconecte y revise la presencia de agua en el tomacorriente.

Instrucción Adicional de Seguridad

- ⚠ **ADVERTENCIA:** Nunca modifique la herramienta eléctrica, ni tampoco ninguna de sus piezas. Podría producir lesiones corporales o daños.
- ⚠ **ADVERTENCIA:** Use **SIEMPRE** lentes de seguridad. Los anteojos de diario **NO SON** lentes de seguridad. Utilice además una cubrebocas o mascarilla antipolvo si la operación de corte genera demasiado polvo. **SIEMPRE LLEVE EQUIPO DE SEGURIDAD CERTIFICADO:**
 - protección ocular ANSI Z87.1 (CAN/CSA Z94.3),
 - protección auditiva ANSI S12.6 (S3.19),
 - protección respiratoria NIOSH/OSHA/MSHA.
- ⚠ **ADVERTENCIA:** Algunas partículas de polvo generadas al lijar, serrar, esmerilar y taladrar con herramientas eléctricas, así como al realizar otras actividades de construcción, contienen químicos que el Estado de California sabe que pueden producir cáncer, defectos congénitos u otras afecciones reproductivas. Ejemplos de estos químicos son:
 - plomo de algunas pinturas en base a plomo,
 - polvo de sílice proveniente de ladrillos y cemento y otros productos de albañilería, y
 - arsénico y cromo provenientes de madera tratada químicamente.

Su riesgo de exposición a estos químicos varía, dependiendo de la frecuencia con la cual realiza usted este tipo de trabajo. Para reducir su exposición a estas sustancias químicas: trabaje en una zona bien ventilada y llevando equipos de seguridad aprobados, como mascarillas antipolvo especialmente diseñadas para filtrar partículas microscópicas.
- **Evite el contacto prolongado con polvo generado por el lijado, aserrado, pulido, taladrado y otras actividades de construcción. Vista ropas protectoras y lave las áreas de la piel expuestas con agua y jabón.** Si permite que el polvo se introduzca en la boca u ojos o quede sobre la piel, puede favorecer la absorción de productos químicos peligrosos.
- ⚠ **ADVERTENCIA:** La utilización de esta herramienta puede generar polvo o dispersarlo, lo que podría causar daños graves y permanentes al sistema respiratorio, así como otras lesiones. Siempre use protección respiratoria aprobada por NIOSH (Instituto Nacional de Seguridad y Salud en el Trabajo) u OSHA (Administración de Seguridad y Salud en el Trabajo) apropiada para la exposición al polvo. Dirija las partículas en dirección contraria a la cara y el cuerpo.
- ⚠ **ADVERTENCIA:** Siempre lleve la debida protección auditiva personal en conformidad con ANSI S12.6 (S3.19) durante el uso de esta herramienta. Bajo algunas condiciones y duraciones de uso, el ruido producido por este producto puede contribuir a la pérdida auditiva.
- **Los orificios de ventilación suelen cubrir piezas en movimiento, por lo que también se deben evitar.** Las piezas en movimiento pueden atrapar prendas de vestir sueltas, joyas o el cabello largo.
- **Los hilos del alargador deben ser de un calibre apropiado (AWG o American Wire Gauge) para su seguridad.** Mientras menor sea el calibre del hilo, mayor la capacidad del

cable. Es decir, un hilo calibre 16 tiene mayor capacidad que uno de 18. Un cable de un calibre insuficiente causará una caída en la tensión de la línea dando por resultado una pérdida de energía y sobrecalentamiento. Cuando se utilice más de un alargador para completar el largo total, asegúrese que los hilos de cada alargador tengan el calibre mínimo. La tabla siguiente muestra el tamaño correcto a utilizar, dependiendo de la longitud del cable y del amperaje nominal de la placa de identificación. Si tiene dudas sobre cuál calibre usar, use un calibre mayor. Cuanto menor sea el número del calibre, más resistente será el cable.

Calibre mínimo de conjuntos de cables					
Voltios	Longitud total del cable en pies (metros)				
	120V	25 (7,6)	50 (15,2)	100 (30,5)	150 (45,7)
240V	50 (15,2)	100 (30,5)	200 (61,0)	300 (91,4)	
Amperaje nominal		AWG			
Más de	Más de				
0	6	18	16	16	14
6	10	18	16	14	12
10	12	16	16	14	12
12	16	14	12	No recomendado	

La etiqueta de su herramienta puede incluir los siguientes símbolos. A continuación se indican los símbolos y sus definiciones:

- V voltios
- Hz hertz
- min minutos
- — — or DC..... direct current
- Ⓢ Construcción de Clase I (tierra)
- ... /min..... por minuto
- BPM..... golpes por minuto
- IPM..... impactos por minuto
- RPM..... revoluciones por minuto
- sfpm pies de superficie por minuto
- SPM..... pasadas por minuto
- OPM..... oscilaciones por minuto
- A amperios
- W vatios
- ~ or AC..... corriente alterna
- ⎓ or AC/DC... corriente alterna o directa
- Ⓜ Construcción de Clase II (doble aislamiento)
- n₀ velocidad sin carga
- IPXX..... símbolo IP
- n velocidad nominal
- Ⓧ terminal de conexión a tierra
- ⚠ símbolo de advertencia de seguridad
- ⚠ radiación visible
- Ⓜ protección respiratoria
- Ⓜ protección ocular
- Ⓜ protección auditiva
- 📖 lea toda la documentación

Motor

Asegúrese de que la fuente de energía concuerde con lo que se indica en la placa. Un descenso en el voltaje de más del 10% producirá una pérdida de potencia y sobrecalentamiento. Todas las herramientas son probadas en fábrica; si esta herramienta no funciona, verifique el suministro eléctrico.

- Siempre conecte la sierra y la bomba en un receptáculo GFCL.
- Siempre conecte el cable de extensión en un receptáculo GFCL.
- Utilice sólo cables de extensión destinados para uso en exteriores. Estos cables de extensión se identifican con la marca "Aceptable para usar con electrodoméstico para exteriores; almacenar en el interior mientras no esté en uso".
- Utilice únicamente cables de extensión que tengan una clasificación eléctrica no inferior a la clasificación del producto.
- No use cables de extensión dañados. Examine el cable de extensión antes de usarlo y reemplácelo si está dañado.
- No abuse del cable de extensión y no tire de ningún cable para desconectarlo.
- Mantenga el cable alejado del calor y bordes afilados.
- Siempre desconecte el cable de extensión del receptáculo antes de desconectar el producto del cable de extensión.

Uso Pretendido

Esta sierra para azulejos húmeda está diseñada para corte profesional de una variedad de piedras naturales y azulejos de porcelana y otras aplicaciones tipo azulejo.

- NO** corte madera, metales o plástico.
- NO** use bajo condiciones húmedas o en presencia de líquidos o gases inflamables.
- NO** permita que niños estén en contacto con la herramienta. Se requiere supervisión cuando operadores sin experiencia operen esta herramienta.

Especificaciones

Voltaje	120V
Amperios	15A
RPM	4200
Profundidad de corte	80 mm (3-1/8")
Ángulos de inglete	22,5° and 45°
Tamaños de discos de corte	178 mm (7"), 203 mm (8"), 228 mm (9") y 254 mm (10") en discos de corte con bordes continuos y discos desbastadores de 152 mm (6")

MONTAJE Y AJUSTES

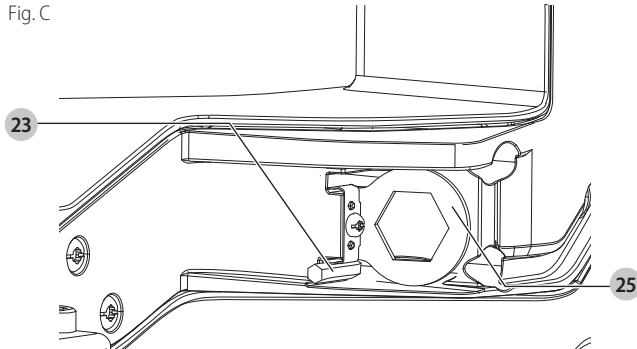
! **ADVERTENCIA:** Para reducir el riesgo de lesiones personales, apague la unidad y desconéctela de la fuente de energía antes de realizar cualquier ajuste o retirar/instalar conexiones o accesorios. Una activación de arranque accidental puede causar lesiones.

Ensamble

Almacenamiento de Llave de Tuercas (Fig. A, C)

Su sierra de azulejos húmeda incluye dos llaves de tuercas que necesitará para el ensamble. Una llave hexagonal **23** y una llave de rueda de corte **25** se guardan en la parte trasera del ensamble del brazo del motor **2**.

Fig. C



Ensamble de Brazo de Motor (Fig. A, D, E)

1. Coloque la charola de agua **15** sobre una superficie plana y estable, o sobre el soporte.
2. Coloque el ensamble del marco de la sierra **16** en la charola de agua **15**.
NOTA: Asegúrese que el frente del ensamble del marco de la sierra se asiente debajo del soporte de la charola de agua **53** para garantizar un ajuste seguro (Fig. D).
3. Con la llave hexagonal suministrada **23** retire los tornillos **19** del ensamble del marco de la sierra.
4. Coloque el ensamble del brazo del motor **2** sobre el ensamble del marco de la sierra (Fig. E).
5. Asegure la cabeza de la sierra instalando dos de los tornillos **19** en los orificios más cercanos al riel. Apriete los tornillos con la llave hexagonal incluida. Instale los otros cuatro tornillos en los otros cuatro orificios y apriete.

Fig. D

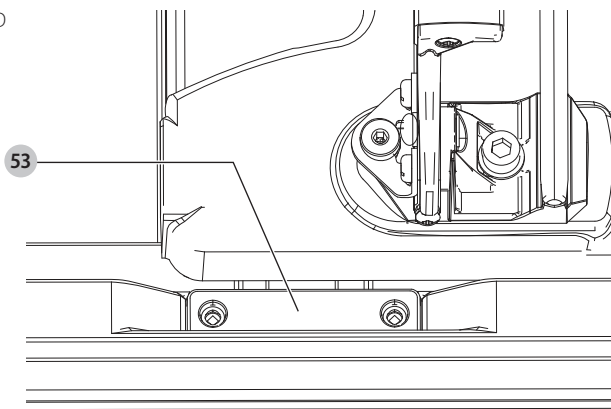
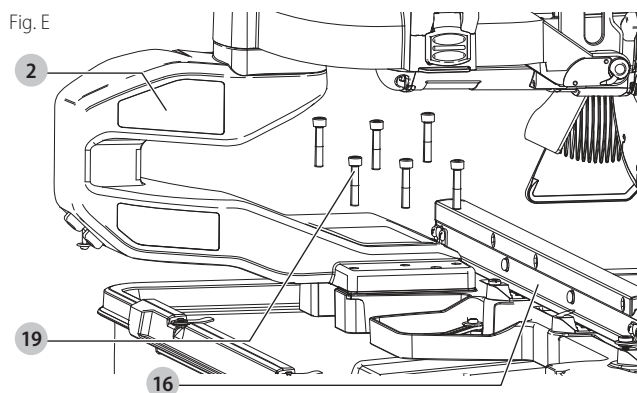


Fig. E



Conexión de Carro de Corte (Fig. F, G, Y)

1. Gire la perilla de paro del carro de corte **18** en la posición de desbloqueo (Consulte **Perilla de paro de carro de corte**) y deslice el carro de corte sobre los rieles.
2. Alinee la flecha en la parte trasera del carro de corte **11** con la flecha sobre el riel a la izquierda del ensamble del marco de la sierra **16**.
3. Deslice el ensamble del carro de corte sobre el sistema de riel sin tocar la perilla de paro del carro de corte **18** con los rodillos.
4. Gire la perilla de paro del carro de corte en la primera o segunda posición para mantener el carro de corte sobre los rieles durante el uso. Consulte **Perilla de paro de carro de corte** respecto a la descripción de las posiciones.

Fig. F

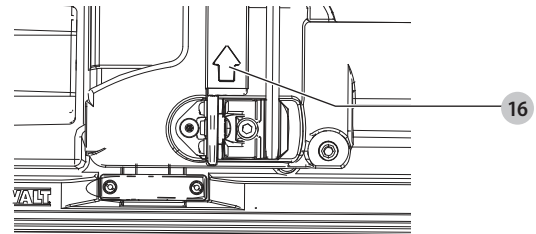
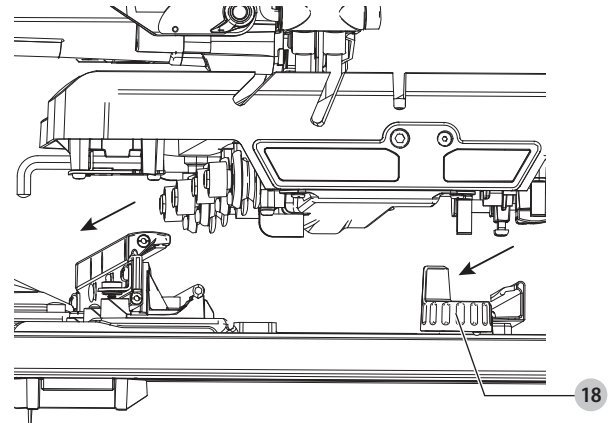


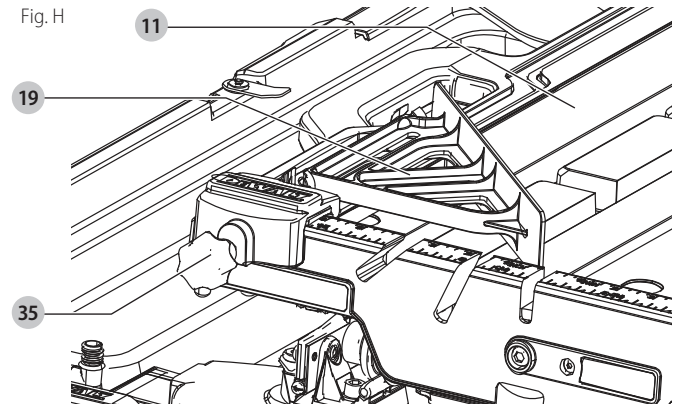
Fig. G



Conexión de Guía de Borde (Fig. A, H)

1. Coloque la guía de borde **19** sobre el ensamble del carro de corte **11**.
2. Gire el bloqueo de la guía de borde **35** en sentido de las manecillas del reloj para apretar.

Fig. H



Ensamble de Bomba de Agua y Conexiones de Agua (Fig. A, I, J)

1. Coloque el accesorio roscado **26** sobre la bomba de agua **27**. Conecte el tubo de agua transparente **28** al accesorio roscado (Fig. I).
NOTA: La posición ideal para la bomba de agua es en la esquina delantera izquierda de la bandeja de agua, cerca del tapón de drenaje.
2. Inserte el cable de energía de la bomba en el enchufe **29** (Fig. J) o conéctelo en un receptáculo protegido GFCI separado.
3. Llene la charola con 5 galones de agua limpia. La bomba debe estar sumergida.
NOTA: Para una mayor vida de la bomba, siempre coloque la bomba en una fuente de agua limpia.
NOTA: El borde de la charola de agua **55** es la línea de llenado máximo. NO llene la charola de agua arriba de la línea de llenado máximo.
4. Instale la conexión de agua trasera pequeña **8**, la conexión de agua trasera grande **9**, y la protección de salpicaduras **10** si se necesita.
5. Instale la conexión de agua pequeña del carro de corte **12** y la conexión de agua grande del carro de corte **13** si se necesita.

Fig. I

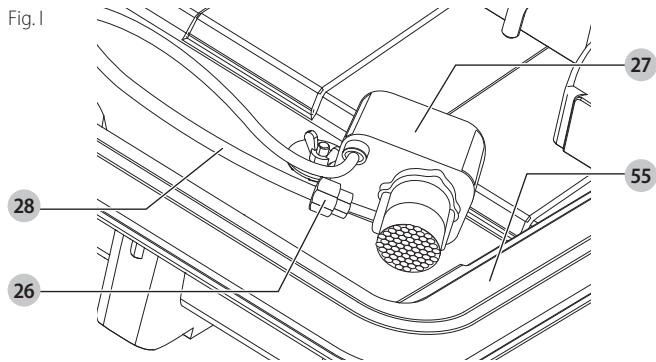
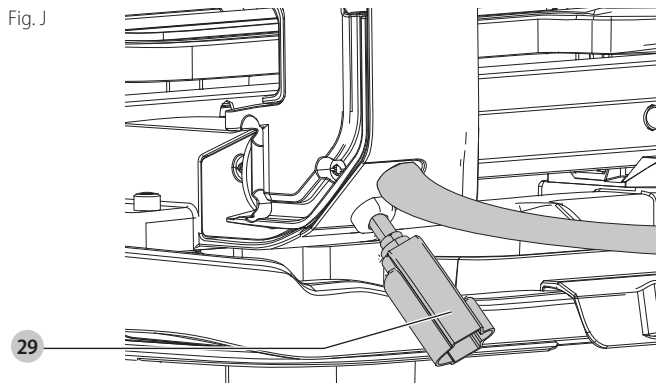


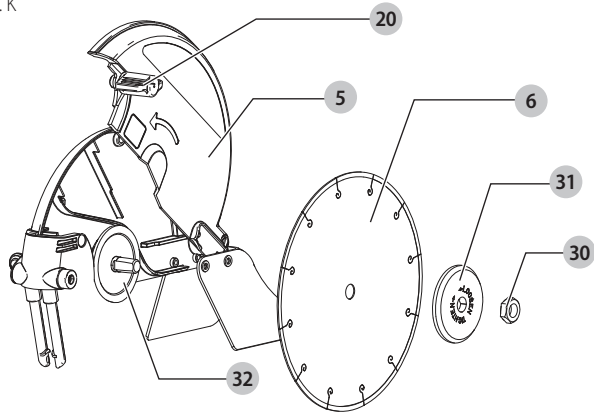
Fig. J



Instalación de Rueda de Corte (Fig. A, C, K, P)

1. Afloje (no retire) la perilla de cubierta de rueda de corte **20** en el lado de la cubierta de la rueda de corte **5**. Jale la aleta lateral de hule hacia atrás y levante la cubierta hacia la parte trasera de la sierra.
2. Presione el botón de bloqueo del husillo **33**. Retire la tuerca de la rueda de corte **30** con la llave de tuercas de la rueda de corte **25** incluida. Retire la brida exterior **31**.
3. Instale la rueda de corte **6** contra la brida interior **32** con la flecha de rotación viendo al mismo lado que la flecha de rotación en la cubierta de la rueda de corte. Presione el botón de bloqueo del husillo **33** mientras aprieta la tuerca de la rueda de corte.
4. Vuelva a colocar la cubierta y apriete la perilla de cubierta de rueda de corte **20**.
5. Ajuste la profundidad de la rueda de corte (Consulte **Profundidad de corte**).

Fig. K



Ajustes

Rueda de Corte Perpendicular al Carro (Fig. L, M)

1. Abra la cubierta de la rueda de corte **5** con la perilla de cubierta de rueda de corte **20**.
2. Coloque una escuadra de 90 grados sobre el carro de corte contra la rueda de corte.
3. Si el espacio no es consistente, afloje la perilla de bloqueo de bisel **41** y ajuste el tornillo de ajuste de bisel de 0° **44** con la llave de tuercas incluida hasta que la rueda de corte esté a 90° de la superficie del carro.
4. Asegúrese que la rueda de corte no toque ningún lado de la ranura en el carro de corte empujando el carro después de la rueda de corte con la sierra apagada.

Fig. L

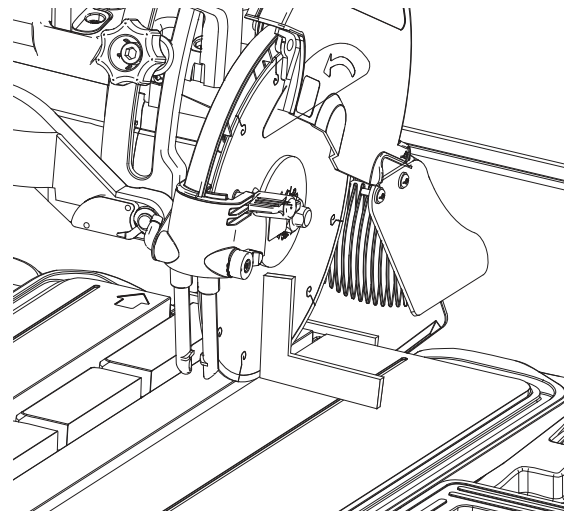
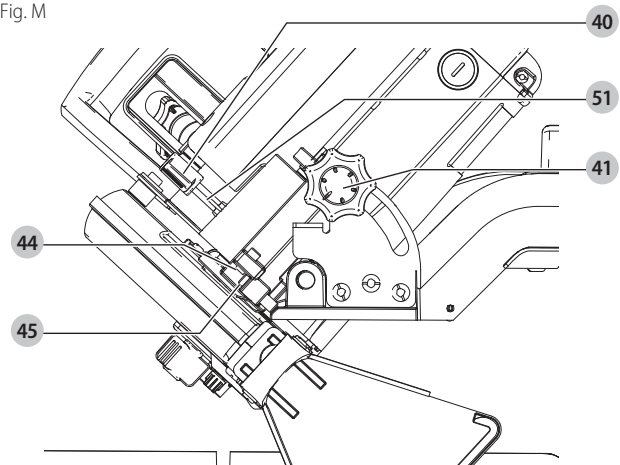


Fig. M



Disco de Corte a 45° del Carro (Fig. M)

1. Afloje la perilla de bloqueo del bisel y gire el cabezal de corte a 45°.
2. Coloque un guía de 45° en la superficie del carro de corte a un lado del disco de corte. Si no está a 45°, ajuste el tornillo de ajuste del bisel de 45° **45** con la llave incluida hasta que el disco de corte esté a 45° de la superficie del carro.
3. Empuje el carro más allá del disco de corte con la sierra apagada para asegurarse que el disco de corte no toque ninguno de los dos lados de la hendidura en el carro de corte.

Corte Paralelo al Carro de Corte (Fig. N, O)

1. Ponga una escuadra sobre la superficie del carro de corte con un extremo contra el guía del carro **36**. Gire el carro hacia adelante para que el cuadrado quede alineado con la rueda de corte, manteniendo el cuadrado contra la cerca.
2. Si el disco de corte no está a 90° del guía del carro, el riel deberá ser ajustado.
3. Afloje los cuatro tornillos de montaje de la unidad del riel **46**.

Fig. N

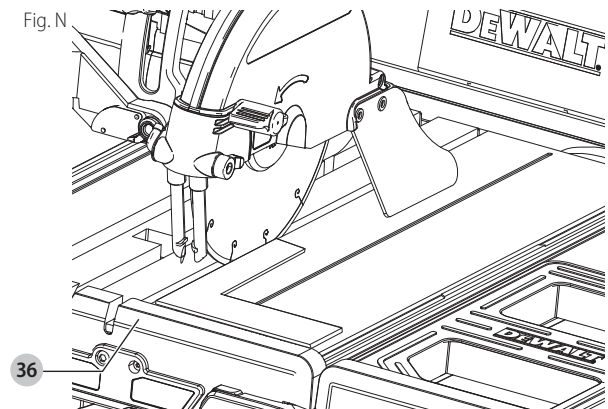
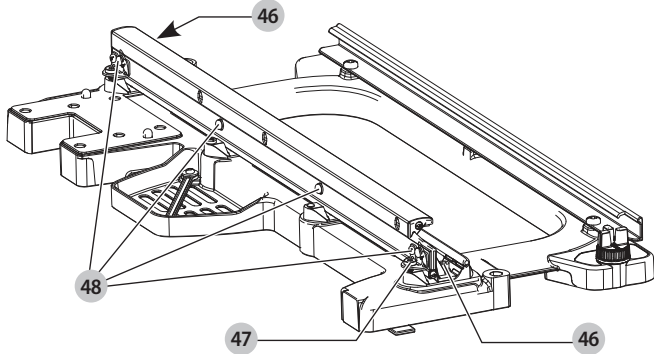


Fig. O



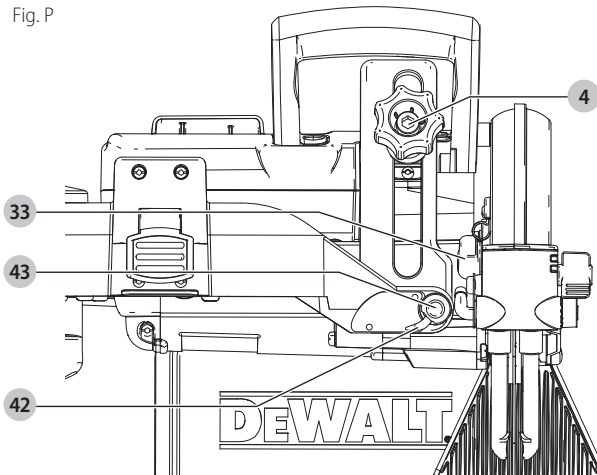
Resistencia de Rodaje del Carro (Ajuste Del Riel) (Fig. O)

1. Afloje los cuatro tornillos de ajuste de la altura del riel **48**.
2. Ajuste los dos dispositivos de ajuste de altura del riel **47** hasta que el carro se desplace sin problemas.
3. Ajuste los cuatro tornillos.

Indicador de Bisel (Fig. P)

Afloje el tornillo del indicador de bisel de 0° **43** y gire el indicador de bisel **42** a la ubicación correcta.

Fig. P



Profundidad de Corte (Fig. A, M)

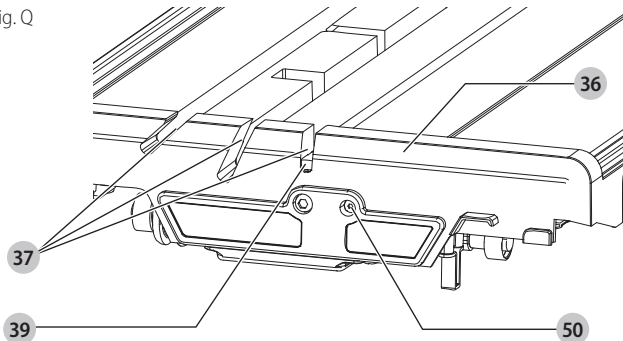
1. Afloje la perilla de fijación del cabezal **4**.
2. Ajuste la perilla de profundidad de corte **40** hasta que el disco de corte esté a un mínimo de 5 mm (3/16") debajo de la superficie del carro.
3. Empuje el carro más allá del disco de corte con la sierra apagada y asegúrese que el disco de corte no toque el carro.
4. Ajuste la perilla de profundidad de corte y ajuste la tuerca mariposa de fijación **51**, y luego la perilla de fijación del cabezal **4**.

Indicador de Corte (Fig. Q)

El indicador de corte **39** ayuda a alinear los cortes largos y diagonales al mostrar el punto de salida de la hoja en el corte. El indicador de corte puede ser utilizado varias veces antes de necesitar ajustes.

1. Afloje el tornillo de fijación **50**.
2. Gire el indicador de corte para exponer la superficie no cortada.
3. Ajuste el tornillo de fijación.

Fig. Q



OPERACIÓN

⚠ ADVERTENCIA: Para reducir el riesgo de lesiones personales, apague la unidad y desconéctela de la fuente de energía antes de realizar cualquier ajuste o retirar/instalar conexiones o accesorios. Una activación de arranque accidental puede causar lesiones.

Colocación de herramienta (Fig. R–T)

- ⚠ ADVERTENCIA:** Cuando use el soporte asegúrese de seguir todas las instrucciones y advertencias indicadas en el manual del soporte.
- ⚠ ADVERTENCIA:** Cuando use material grande SIEMPRE asegúrese que se utilice la abrazadera del soporte de la charola para evitar que la sierra se incline hacia el frente fuera del soporte.
- ⚠ ATENCIÓN:** Riesgo de inclinación. El peso excesivo sobre el carro cuando la perilla de posición del carro se gira a la posición 1 podría causar un riesgo de inclinación. El tamaño máximo de azulejo que se puede cortar es de 90 cm x 90 cm x 1.0 cm (36"x36"x3/8") (consulte **Tamaño máximo de azulejo**). No corte azulejos u otros materiales más gruesos a 1 cm (3/8") de espesor mientras la perilla de tope de carro de corte esté en la posición 1. Cuando corte materiales delgados, gire la perilla de tope de carro de corte a la posición 2. Esto permitirá que el carro permanezca sobre el riel cuando se jale hacia el usuario al frente de la rueda de corte.

1. Coloque el soporte (D24001, consulte **Accesorios**) sobre una superficie nivelada.
2. Coloque la sierra en el soporte como se muestra en la Figura R. La charola tiene dos abrazaderas **53** que se envuelven alrededor de la barra transversal delantera.
3. Gire la abrazadera del soporte de charola **24** en su lugar alrededor de la barra transversal trasera.

Si no utiliza un soporte, coloque la sierra sobre una superficie nivelada

Fig. R

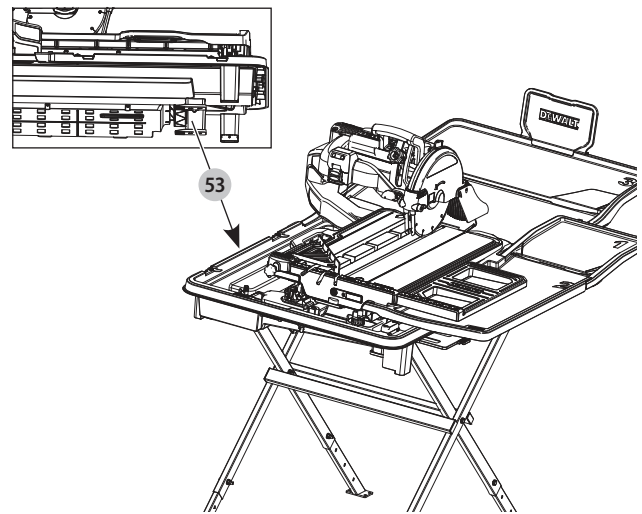


Fig. S

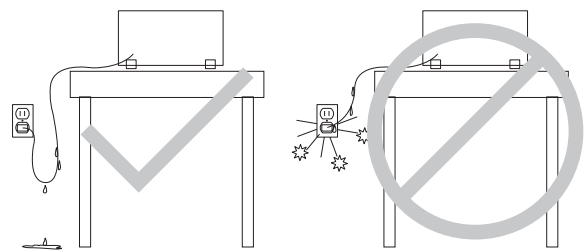
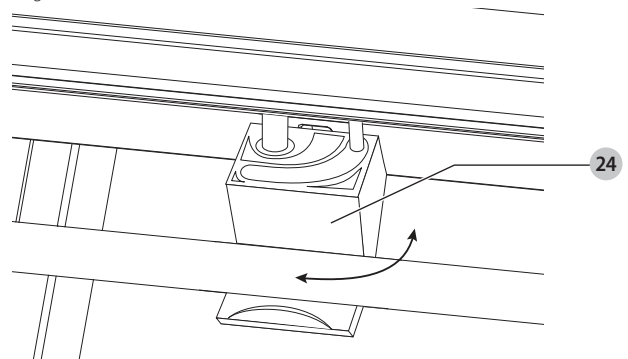


Fig. T



TAMAÑOS MÁXIMOS DE AZULEJO

Tipo de material	Tamaño (hasta pulgadas (cm))	Peso máx.	Corte	Posición de perilla de paro de carro de corte
Azulejo	24x24x3/8 (60x60x1,0)	9 kg (20 lbs)	Corte de desgarre o corte transversal	2
Azulejo	36x36x3/8 (90x90x1,0)	20 kg (45 lbs)	Corte de desgarre o transversal	1
Azulejo	37x8x3/8 (94x20x1,0)	4,5 kg (10 lbs)	Corte de desgarre	1
Azulejo	37x8x3/8 (94x20x1,0)	4,5 kg (10 lbs)	Corte transversal	2
Pavimentador	12x12x2 (30,5x30,5x5,0)	11,7 kg (26 lbs)	Corte de desgarre o corte transversal	2
Ladrillo	8,5x4x2,5 (21,5x10,2x6,5)	3,1 kg (7 lbs)	Corte de desgarre o corte transversal	2

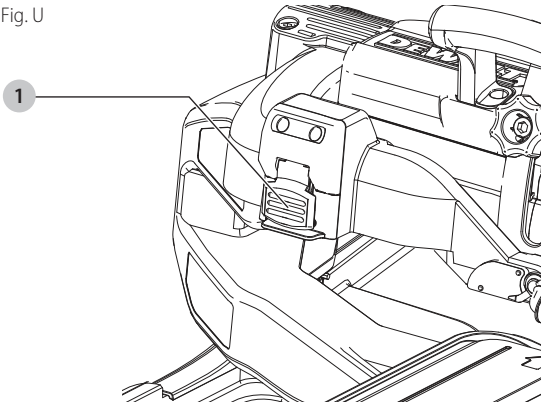
Interruptor de Encendido/Apagado (Fig. S, U)

⚠ ADVERTENCIA: Para evitar la posibilidad de que el enchufe del aparato o el tomacorriente se mojen, coloque la sierra para azulejos húmeda en un lado del tomacorriente de pared para prevenir que gotee agua sobre el tomacorriente o enchufe. El usuario debe realizar un "lazo de goteo" en el cable que conecta la sierra al tomacorriente (Fig. S). El "lazo de goteo" es la parte del cable debajo del nivel del tomacorriente, o el conector si se usa un cable de extensión, para prevenir que el agua recorra el cable y entre en contacto con el tomacorriente. Siempre conecte la sierra en un tomacorriente GFCI y pruebe para confirmar que el tomacorriente GFCI está funcionando adecuadamente. Si el enchufe o tomacorriente se mojan, NO desconecte el cable. Desconecte el fusible o el interruptor de circuito que suministra energía a la herramienta. Después desconecte y revise la presencia de agua en el tomacorriente.

- Para encender la sierra para azulejos húmeda, levante el interruptor on/off 1.
- La sierra para azulejos húmeda se bloquea en encendido automáticamente.
- Para apagar la herramienta, presione el interruptor on/off hacia abajo.

NOTA: Se puede usar un candado en el interruptor para evitar el uso no autorizado.

Fig. U



Bocas de Agua (Fig V–X)

Las bocas de agua 17 se pueden ajustar para proporcionar el máximo de agua para cortar y la máxima capacidad con la menor cantidad de exceso de rocío. La palanca de ajuste 34 permite el ajuste sencillo de las bocas a la posición deseada.

- La posición óptima para la menor cantidad de rocío (Fig. V).
- Las bocas de agua 17 se pueden replegar completamente para el máximo de capacidad (Fig. W).
- Posición fuera de la rueda de corte para eliminar el exceso de rocío entre cortes y para cambiar la hoja (Fig. X).

Fig. V

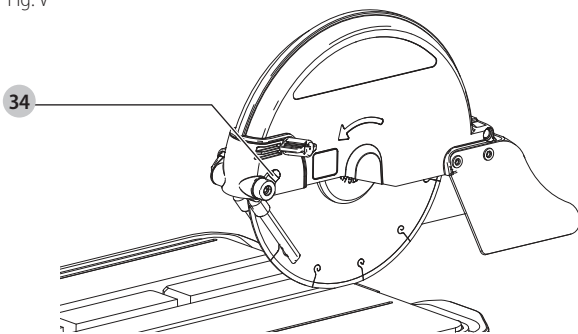


Fig. W

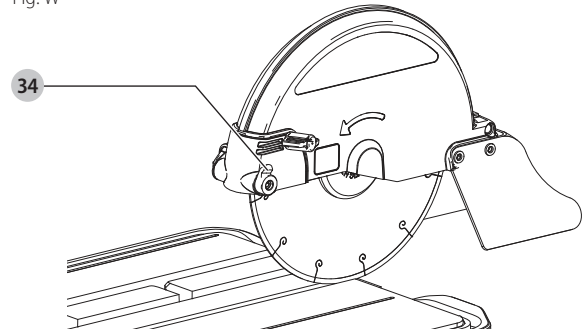
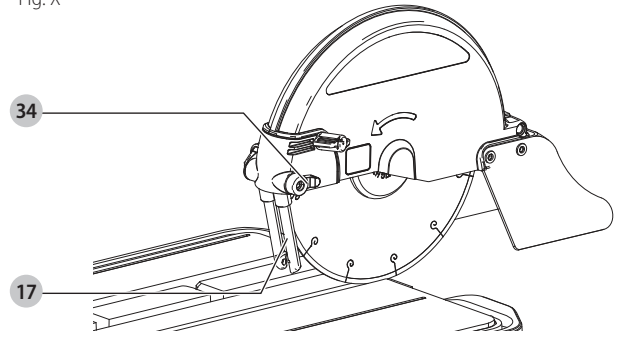


Fig. X

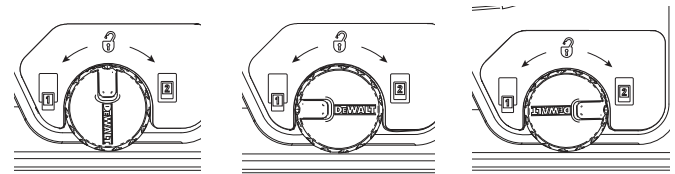


Perilla de Tope de Carro de Corte (Fig. A, Y)

La perilla de tope de carro de corte 18 permite al usuario regresar el carro de corte 11 al mismo punto cada vez. Para ajustar la posición, **LEVANTE Y GIRE** la perilla de tope de carro de corte u deslice el carro de corte hacia atrás hasta que se detenga. Se puede ajustar en tres diferentes posiciones en base a la preferencia de los usuarios.

- Posición de desbloqueo: Retire e instale el carro de corte
- Posición 1: Capacidad de corte de 90 cm (36"). El carro se extiende después del marco.
- Posición 2: Capacidad de corte de 45 cm (18"). El carro se detiene en el borde del marco.

Fig. Y



Posición de desbloqueo (Retire el carro)

Posición 1

Posición 2

Realización del Corte (Fig. A)

Verifique la alineación del carro y disco de corte.

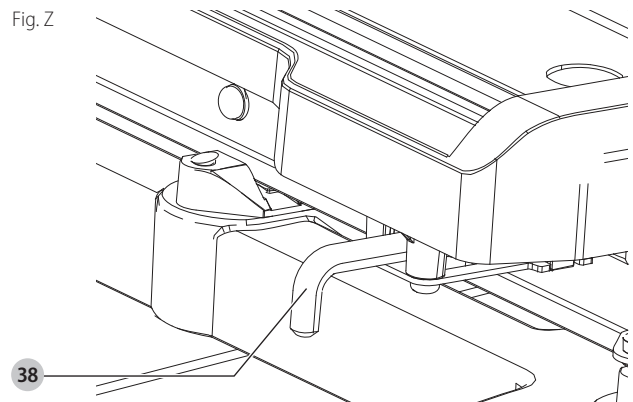
1. Tire del conmutador de encendido y apagado 1 para encender la sierra. Espere hasta que el chorro de agua de la bomba de agua cubra completamente el disco de corte. **NOTA:** Si corta la cerámica en seco, dañará el disco de corte.
2. Mueva el carro de corte hacia el disco de corte y luego, lentamente, alimente la cerámica hacia el disco de corte. Siga empujándolo hasta que el disco de corte atraviese la pieza de cerámica completa.
3. Empuje el conmutador de encendido y apagado 1 hacia abajo para apagar la sierra.
4. Luego de que el disco de corte se detenga, retire la pieza de cerámica del carro de corte.

Bloqueo del Carro de Corte (Fig. Z)

Hay tres posiciones de bloqueo para el carro.

Existen tres posiciones de bloqueo para el carro. Ponga el carro en la posición deseada y bloquéelo girando la clavija 38 y empujándola en un orificio en el riel.

Fig. Z



Tipos de Cortes

⚠️ ADVERTENCIA: No realice cortes a mano alzada.

Siempre realice una operación de práctica para familiarizarse con la trayectoria de la rueda de corte. Practique en un azulejo de desecho para asegurarse que esté cómodo con la sensación de la operación de corte. Empuje el carro después de la rueda de corte antes de encender la sierra.

Cortes Rectos (Fig. Q, AA, BB)

1. Utilizando un marcador o pluma, marque el área a cortar en el azulejo.
2. Coloque el azulejo sobre el carro de corte contra la cerca del carro de corte **36** y alinee su marca con la rueda de corte.
3. Jale el interruptor on/off hacia arriba para encender la sierra y espere que la rueda de corte esté completamente cubierta con agua.
4. Relaje el carro de corte hacia la rueda de corte y alimente lentamente el azulejo hacia la rueda de corte. Continúe empujando hasta que la rueda de corte corte completamente a través del azulejo.

NOTA: La cubierta de la rueda se puede girar hacia arriba para ayudar a alinear la línea con el azulejo con la rueda de corte. Afloje el perno **54** con la llave **25** y mostrado en la Fig BB y gire la cubierta de la rueda.

5. Apague la sierra.

Cortes Diagonales (Fig. Q)

Los cortes diagonales también se refieren como "cortes de punto largo a punto largo."

1. Alinee el punto del azulejo más cercano a la cerca del carro de corte **36** con el indicador de corte **39**.
2. Alinee el frente del azulejo con la rueda de corte.
3. Encienda la sierra y realice el corte.
4. Apague la sierra.

Cortes en L (Fig. Q)

Un corte en L es una sección que se retira de una pieza de azulejo y se usa cuando se corte una pieza de azulejo para ajustarse a una esquina de un gabinete o pieza de moldura.

1. Trace el área que se va a cortar en ambos lados del azulejo.
2. Alinee el azulejo a la cerca del carro de corte **36** y realice el corte lo suficiente en el azulejo sin cortar en exceso.
3. Realice un corte sobre la otra marca en el azulejo sin cortar en exceso.
4. Voltee el azulejo y realice un corte a lo largo de uno de los trazos, pero esta vez puede ocurrir un corte en exceso sin dañar la superficie expuesta del azulejo debido al radio de la rueda de corte. Corte en exceso la otra línea y la pieza de corte se debe separar del resto del azulejo.
5. Apague la sierra.

Cortes de Caída (Fig. A, M)

Los cortes de caída se utilizan cuando se retira el centro de una pieza de azulejo para tomacorrientes eléctricos y para realizar cortes para registros de aire acondicionado.

1. Trace el área que se va a cortar en ambos lados del azulejo.
 2. Libere la cabeza de corte aflojando la perilla de bloqueo de cabeza **4**.
 3. Ajuste la profundidad de la perilla de corte **40** en la parte trasera de la protección de la rueda de corte para evitar que la rueda de corte viaje demasiado profundo y cortar el carro de corte. Siempre realice una operación en seco o de práctica para familiarizarse con la trayectoria de la rueda de corte. Practique en un azulejo de desecho para asegurarse que esté cómodo con la sensación de la operación de corte.
 4. Coloque el azulejo sobre el carro de corte con el lado acabado viendo hacia arriba.
 5. Alinee la marca con la rueda de corte.
 6. Encienda la sierra. Con una mano sobre la manija de caída **3** y la otra mano sobre el azulejo, manteniendo ambas manos a una distancia segura desde la rueda de corte, baje la cabeza de la sierra lentamente en el azulejo. Corte el azulejo hasta el borde de la marca sin cortar en exceso.
 7. Repita el proceso en cada trazo sin cortar en exceso.
 8. Voltee el azulejo. Repita los pasos 2 y 3, cortando en exceso a lo largo de las líneas que permitirán que caiga la pieza.
- NOTA:** Las esquinas se pueden necesitar cortar con pinzas de azulejo (no incluidas con la sierra).
9. Apague la sierra.

Cortes de Inglete: 22.5° y 45° (Fig. A, M, P, Q)

Los cortes de inglete se usan para cortar las esquinas externas e internas en el azulejo, riel de silla decorativo y molduras de base.

La cabeza de corte de la sierra es ajustable en tres posiciones: 0°, 22.5° o 45°. Las tres ranuras **37** en el carro de corte permitirán que la cabeza de corte se ajuste en los tres ajustes sin cortar el ensamble de carro de corte **11**.

1. Afloje la perilla de bloqueo de bisel **41** en la parte trasera de la sierra y ajuste la cabeza de la sierra en el grado de inglete correcto. El puntero de bisel **42** en el frente de la sierra mostrará el ángulo de ajuste.
2. Siempre realice una operación en seco y empuje el carro después de la rueda de corte antes de encender la sierra. Asegúrese que la rueda de corte se ajuste al centro de la ranura.
3. Marque el azulejo y alinee el azulejo contra la cerca del carro de corte y la guía de borde. Proceda a realizar el corte.
4. Apague la sierra.

Fig. AA

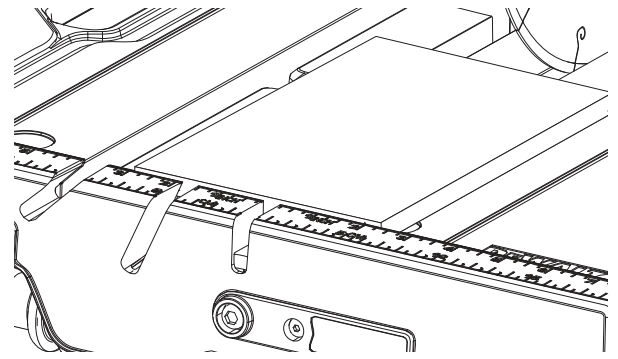
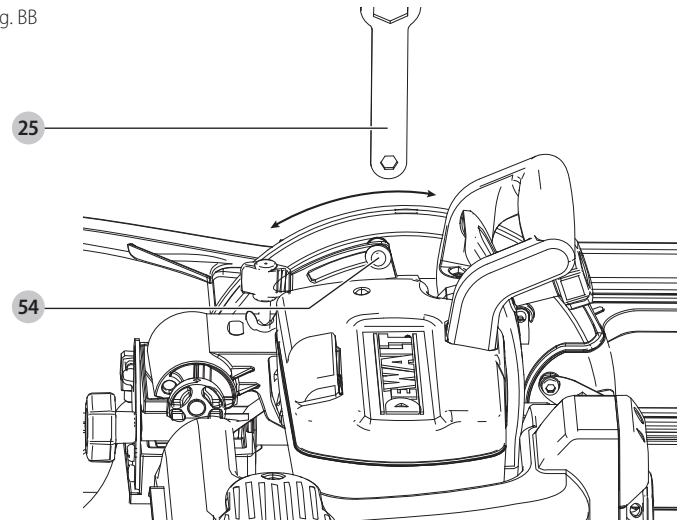


Fig. BB



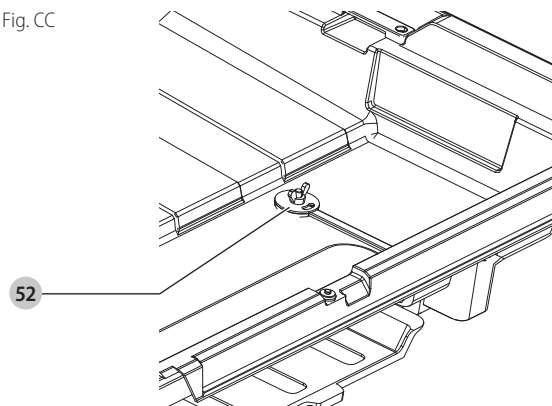
Traslado de la Sierra (Fig. CC)

⚠️ ATENCIÓN: No intente trasladar la sierra si está llena de agua. Esto podría resultar en lesiones corporales.

⚠️ ATENCIÓN: Siempre bloquee el carro de corte antes de mover o transportar la sierra.

Antes de mover la sierra, asegúrese de drenar el depósito de agua poniendo un balde de aproximadamente 19 litros (5 galones) debajo del tapón de la sierra **52**. Retire el tapón y deje que el agua se vacíe en el balde.

Fig. CC



MANTENIMIENTO

⚠️ ADVERTENCIA: Para reducir el riesgo de lesiones personales, apague la unidad y desconéctela de la fuente de energía antes de realizar cualquier ajuste o retirar/instalar conexiones o accesorios. Una activación de arranque accidental puede causar lesiones.

Transporte y Almacenamiento (Fig. DD)

⚠️ ADVERTENCIA: Por su propia seguridad, se recomienda que dos personas carguen esta máquina, o se podrían ocasionar lesiones graves.

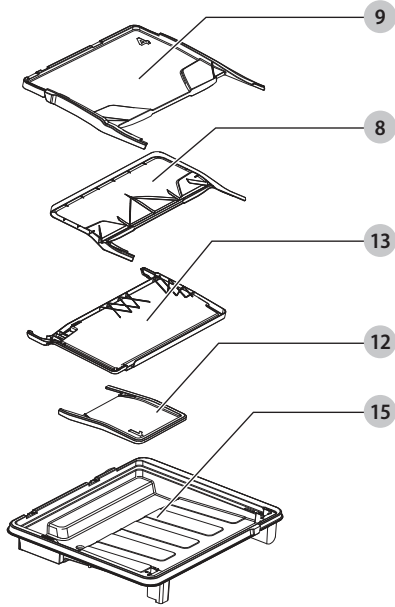
⚠️ ATENCIÓN: Siempre bloquee el carro de corte antes de mover o transportar la sierra.

Las conexiones de agua traseras **8, 9** las conexiones de aguda del carro de corte **12, 13** y la charola de agua **15** pueden anidarse para facilitar el transporte (Fig. DD).

Las conexiones están numeradas 1-4. Las conexiones se deben ajustar en el orden mostrado en la Fig. DD comenzando con la conexión de agua pequeña del carro de corte **12** para asentarse correctamente.

NOTA: La conexión de agua del carro de corte grande **13** y la conexión de agua trasera pequeña **8** se guardan boca abajo.

Fig. DD



Limpieza

- ADVERTENCIA:** Sople la suciedad y el polvo de todos los conductos de ventilación con aire seco, al menos una vez por semana. Para reducir el riesgo de lesiones, utilice siempre protección para los ojos aprobada ANSI Z87.1 al realizar esta tarea.
 - ADVERTENCIA:** Nunca utilice solventes ni otros químicos abrasivos para limpiar las piezas no metálicas de la herramienta. Estos productos químicos pueden debilitar los materiales plásticos utilizados en estas piezas. Utilice un paño humedecido sólo con agua y jabón neutro. Nunca permita que penetre líquido dentro de la herramienta ni sumerja ninguna de las piezas en un líquido.
1. Apague la sierra y desconéctela de la fuente de energía.
 2. Coloque una cubeta de 5 galones (19 litros) debajo del tapón de drenaje. Retire el tapón de drenaje aflojando la tuerca de mariposa incluida y permita que el agua se vacíe en la cubeta.
 3. Deslice el carro de corte fuera del sistema de riel. Rocíe el carro de corte con una manguera o limpie con una esponja o trapo de lechada.
 4. Limpie los rieles con una esponja o in trapo de lechada. No se requiere rociar lubricantes sobre el riel o ruedas de guía.
 5. Limpie el depósito de agua limpiando con una esponja de lechada.

ADVERTENCIA: No rocíe con agua. Un poco de agua puede llegar al área del motor.

Use sólo jabón suave y una tela húmeda para limpiar la herramienta. Muchos limpiadores domésticos contienen químicos que podrían dañar seriamente el plástico. Además, no use gasolina, aguarrás, laca o adelgazador de pintura, fluidos de limpieza en seco o productos similares. Nunca permita que entre líquido a la herramienta; nunca sumerja ninguna parte de la herramienta en líquido.

Lubricación

ADVERTENCIA: NUNCA rocíe o aplique en ninguna otra forma lubricantes o solventes de limpieza dentro de la herramienta. Esto puede afectar seriamente la duración y el desempeño de la herramienta y resultar en lesiones corporales.

Las herramientas DEWALT vienen debidamente lubricadas de la fábrica y están listas para usarse. Sin embargo, se recomienda que una vez al año un lleve o envíe la herramienta a un centro de servicio certificado para una inspección y limpieza a fondo.

Accesorios

ADVERTENCIA: Debido a que no se han probado con este producto otros accesorios que no sean los que ofrece DEWALT, el uso de dichos accesorios con esta herramienta podría ser peligroso. Para reducir el riesgo de lesiones, con este producto deben usarse sólo los accesorios recomendados por DEWALT.

Los accesorios que se recomiendan para utilizar con la herramienta están disponibles a un costo adicional en su distribuidor local o en un centro de mantenimiento autorizado. Si necesita ayuda para localizar algún accesorio, póngase en contacto con DEWALT, llame al 1-800-4-DEWALT (1-800-433-9258) o visite nuestro sitio web: www.dewalt.com.

Soporte

Soporte de sierra de azulejos de servicio pesado D24001

Ruedas de corte

178 mm (7")	DW4760 – Corte de azulejo de cerámica húmedo Rueda de corte
178 mm (7")	DW4766 – Corte de azulejo de porcelana húmedo Rueda de corte
178 mm (7")	DWA4768 – Corte de azulejo de vidrio húmedo Rueda de corte-
254 mm (10")	DW4761 – Corte de azulejo de cerámica húmedo Rueda de corte
254 mm (10")	DW4764 – Corte de azulejo de porcelana húmedo Rueda de corte
254 mm (10")	DWA4769 – Corte de azulejo de vidrio húmedo Rueda de corte

ADVERTENCIA: El uso de cualquier otro accesorio no recomendado para uso con esta herramienta podría ser peligroso.

Reparaciones

ADVERTENCIA: Para asegurar la SEGURIDAD y la CONFIABILIDAD del producto, las reparaciones, el mantenimiento y los ajustes (inclusive la inspección y el cambio de las escobillas, cuando proceda) deben ser realizados en un centro de mantenimiento en la fábrica DEWALT u en un centro de mantenimiento autorizado DEWALT. Utilice siempre piezas de repuesto idénticas.

Para reparación y servicio de sus herramientas eléctricas, favor de dirigirse al Centro de Servicio más cercano

CULIACAN, SIN

Bldv. Emiliano Zapata 5400-1 Poniente Col. (667) 717 89 99
San Rafael

GUADALAJARA, JAL

Av. La Paz #1779 - Col. Americana Sector (33) 3825 6978
Juárez

MEXICO, D.F.

Eje Central Lázaro Cárdenas No. 18 - Local (55) 5588 9377
D, Col. Obrera

MERIDA, YUC

Calle 63 #459-A - Col. Centro (999) 928 5038

MONTERREY, N.L.

Av. Francisco I. Madero 831 Poniente - Col. (818) 375 23 13
Centro

PUEBLA, PUE

17 Norte #205 - Col. Centro (222) 246 3714

QUERETARO, QRO

Av. San Roque 274 - Col. San Gregorio (442) 2 17 63 14

SAN LUIS POTOSI, SLP

Av. Universidad 1525 - Col. San Luis (444) 814 2383

TORREON, COAH

Bldv. Independencia, 96 Pte. - Col. Centro (871) 716 5265

VERACRUZ, VER

Prolongación Díaz Mirón #4280 - Col. (229) 921 7016
Remes

VILLAHERMOSA, TAB

Constitución 516-A - Col. Centro (993) 312 5111

PARA OTRAS LOCALIDADES:

Si se encuentra en México, por favor llame al (55) 5326 7100

Si se encuentra en U.S., por favor llame al

1-800-4-DEWALT (1-800-433-9258) o visite nuestro sitio web: www.dewalt.com

Póliza de Garantía

IDENTIFICACIÓN DEL PRODUCTO:

Sello o firma del Distribuidor.

Nombre del producto: _____

Mod./Cat.: _____

Marca: _____

Núm. de serie: _____

(Datos para ser llenados por el distribuidor)

Fecha de compra y/o entrega del producto:

Nombre y domicilio del distribuidor donde se adquirió el producto:

Este producto está garantizado por un año a partir de la fecha de entrega, contra cualquier defecto en su funcionamiento, así como en materiales y mano de obra empleados para su fabricación. Nuestra garantía incluye la reparación o reposición del producto y/o componentes

sin cargo alguno para el cliente, incluyendo mano de obra, así como los gastos de transportación razonablemente erogados derivados del cumplimiento de este certificado.

Para hacer efectiva esta garantía deberá presentar su herramienta y esta póliza sellada por el establecimiento comercial donde se adquirió el producto, de no contar con ésta, bastará la factura de compra.

Excepciones

Esta garantía no será válida en los siguientes casos:

- Cuando el producto se hubiese utilizado en condiciones distintas a las normales;
- Cuando el producto no hubiese sido operado de acuerdo con el instructivo de uso que se acompaña;
- Cuando el producto hubiese sido alterado o reparado por personas distintas a las enlistadas al final de este certificado.

Anexo encontrará una relación de sucursales de servicio de fábrica, centros de servicio autorizados y franquiciados en la República Mexicana, donde podrá hacer efectiva su garantía y adquirir partes, refacciones y accesorios originales.

Solamente para propósito de México:
 Importado por: DeWALT Tool Co. S.A. de C.V.
 Avenida Antonio Dovali Jaime, # 70 Torre B Piso 9
 Colonia La Fe, Santa Fé
 Código Postal : 01210
 Delegación Alvaro Obregón
 México D.F.
 Tel. (52) 555-326-7100
 R.F.C.: BDE810626-1W7

Registro en Línea

Gracias por su compra. Registre su producto ahora para:

- **SERVICIO EN GARANTÍA:** Si completa esta tarjeta, podrá obtener un servicio en garantía más eficiente, en caso de que exista un problema con su producto.
- **CONFIRMACIÓN DE PROPIEDAD:** En caso de una pérdida que cubra el seguro, como un incendio, una inundación o un robo, el registro de propiedad servirá como comprobante de compra.
- **PARA SU SEGURIDAD:** Si registra el producto, podremos comunicarnos con usted en el caso improbable que se deba enviar una notificación de seguridad conforme a la Federal Consumer Safety Act (Ley Federal de Seguridad de Productos para el Consumidor).
- Registro en línea en www.dewalt.com.

Garantía Limitada por Tres Años

DeWALT reparará o reemplazará, sin cargo, cualquier defecto debido a materiales o mano de obra defectuosos por tres años desde la fecha de compra. Esta garantía no cubre falla de partes debido al desgaste normal o abuso de la herramienta. Para detalles adicionales de la cobertura de la garantía e información de reparación de garantía, visite www.dewalt.com o llame al 1-800-4-DeWALT (1-800-433-9258). Esta garantía no se aplica a accesorios o daño causado cuando otros hayan realizado o intentado reparaciones. ESTA GARANTÍA LIMITADA SE OTORGA EN LUGAR DE TODAS LAS DEMÁS, INCLUIDA LA GARANTÍA IMPLÍCITA DE COMERCIABILIDAD E IDONEIDAD PARA UN PROPÓSITO EN PARTICULAR, Y EXCLUYE TODOS LOS DAÑOS INCIDENTALES O EN CONSECUENCIA. Algunos estados no permiten limitaciones sobre la duración de una garantía implícita o la exclusión o limitación de daños incidentales o en consecuencia, por lo que estas limitaciones pueden no aplicarse en su caso. Esta garantía le da derechos legales específicos y puede tener otros derechos que varían en ciertos estados o provincias

GARANTÍA DE REEMBOLSO DE SU DINERO POR 90 DÍAS

Si no está completamente satisfecho con el desempeño de su máquina herramienta o clavadora DeWALT, cualquiera sea el motivo, podrá devolverlo hasta 90 días de la fecha de compra con su recibo y obtener el reembolso completo de su dinero – sin necesidad de responder a ninguna pregunta.

AMÉRICA LATINA: Esta garantía no se aplica a los productos que se venden en América Latina. Para los productos que se venden en América Latina, debe consultar la información de la garantía específica del país que viene en el empaque, llamar a la compañía local o visitar el sitio Web a fin de obtener esa información.

REEMPLAZO GRATUITO DE LAS ETIQUETAS DE ADVERTENCIAS: Si sus etiquetas de advertencia se vuelven ilegibles o faltan, llame al 1-800-4-DeWALT (1-800-433-9258) para que se le reemplacen gratuitamente.

ESPECIFICACIONES

	D36000, D36000S
Tensión de alimentación	120 V AC
Consumo de corriente	15 A
Frecuencia de alimentación	60 Hz
Rotación sin carga	4200/min

Guía de Solución de Problemas

ASEGÚRESE DE SEGUIR LAS REGLAS DE SEGURIDAD E INSTRUCCIONES

MUCHOS PROBLEMAS COMUNES SE PUEDEN RESOLVER FÁCILMENTE UTILIZANDO LA TABLA A CONTINUACIÓN. PARA PROBLEMAS MÁS SERIOS O PERSISTENTES, COMUNÍQUESE CON UN CENTRO DE SERVICIO DE DeWALT O LLAME AL 1-(800)-4-DeWALT.

¡Problema!	¿Cuál es el problema?	Qué hacer
La sierra no arranca	La sierra no está conectada.	Conecte la sierra.
	GFCl activado.	Presione el interruptor a off (apagado) y presione el botón de restablecimiento en el GFCl.
	La sierra no funciona (conectada; interruptor encendido).	Presione el interruptor a off (apagado) y presione el botón de restablecimiento en el GFCl.
	Fusible fundido o interruptor de circuito activado.	Presione el interruptor a off (apagado) y reemplace el fusible o restablezca el interruptor de circuito.
	Cable dañado.	Pida que el cable sea reemplazado por un centro de servicio autorizado.
La sierra realiza cortes insatisfactorios	Cepillos desgastados.	Pida que los cepillos sean reemplazados por un centro de servicio autorizado.
	Rueda de corte sin filo.	Reemplace la rueda de corte. Consulte <i>Instalación de Rueda de Corte</i> .
	La bomba de agua no bombea agua.	Retire la bomba de agua y rocíe con agua limpia para desconectar el impulsor.
	Rueda de corte montada al revés.	Voltee la rueda de corte. Consulte <i>Instalación de Rueda de Corte</i> .
	Acumulación sobre rueda de corte.	Use piedra para afilar para eliminar la acumulación.
La rueda de corte no alcanza la velocidad	Cuchilla de corte incorrecta para el trabajo realizado.	Cambie la rueda de corte. Consulte <i>Instalación de Rueda de Corte</i> .
	Cable de extensión con cable de cable demasiado pequeño o demasiado largo.	Reemplace el cable del tamaño adecuado. Consulte <i>Calibre Mínimo para Juegos de Cable</i> .
	Eje suelto.	Apriete el eje.
	Bajo voltaje doméstico.	Póngase en contacto con su compañía eléctrica.
La máquina vibra excesivamente	Sierra no montada firmemente en el soporte.	Vuelva a colocar la charola de agua en el soporte.
	Soporte o banco sobre piso irregular.	Vuelva a colocar sobre una superficie nivelada plana.
	Rueda de corte de sierra dañada.	Reemplace la rueda de corte. Consulte <i>Instalación de Rueda de Corte</i> .
La unidad no realiza cortes precisos	Conexión de lado de carro de corte no asegurada en la cerca.	Revise y ajuste. Apriete la perilla de fijación lateral.
	La rueda de corte no está en ángulo recto a la cerca.	Revise y ajuste. Consulte <i>Rueda de Corte Paralela al Carro</i> .
	La rueda de corte no está perpendicular a la superficie del carro.	Revise y ajuste la cerca. Consulte <i>Rueda de Corte Perpendicular al Carro</i> .
	La pieza de trabajo se mueve.	Use la conexión lateral y guía de borde.

DeWALT Industrial Tool Co. 701 East Joppa Road, Towson, MD 21286
Copyright © 2019

The following are trademarks for one or more DeWALT power tools: the yellow and black color scheme, the "D" shaped air intake grill, the array of pyramids on the handgrip, the kit box configuration, and the array of lozenge-shaped humps on the surface of the tool.