

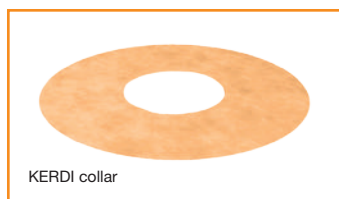
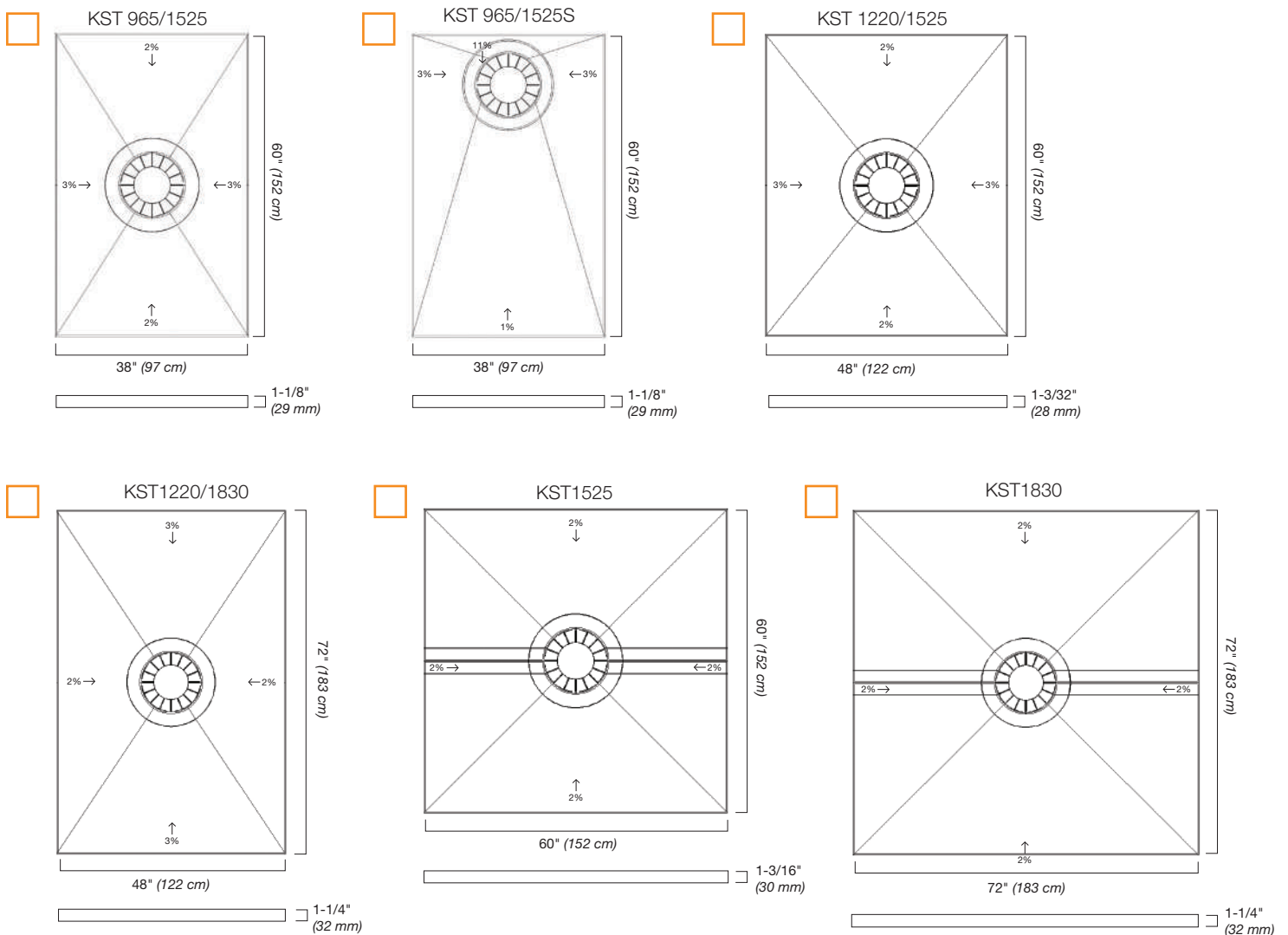
KERDI-SHOWER Shower Trays

KERDI-SHOWER shower trays are prefabricated sloped trays with integrated Schluter®-KERDI waterproofing. The trays are made of lightweight, expanded polystyrene (PS 40) for constructing mortar-free shower bases. KERDI-SHOWER-T/-TS/-TT are designed to integrate with the Schluter®-KERDI-DRAIN. KERDI-SHOWER-LT/-LTS are designed to integrate with the Schluter®-KERDI-LINE and KERDI-LINE VARIO. KERDI-SHOWER shower trays are part of an integrated family of products that create a bonded waterproof sealed system.

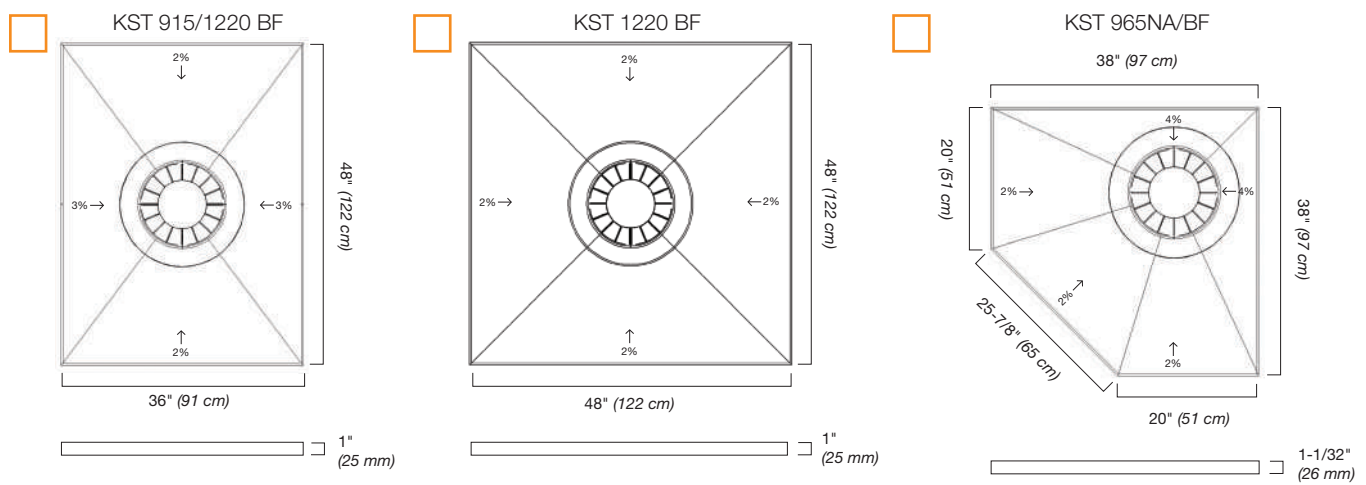
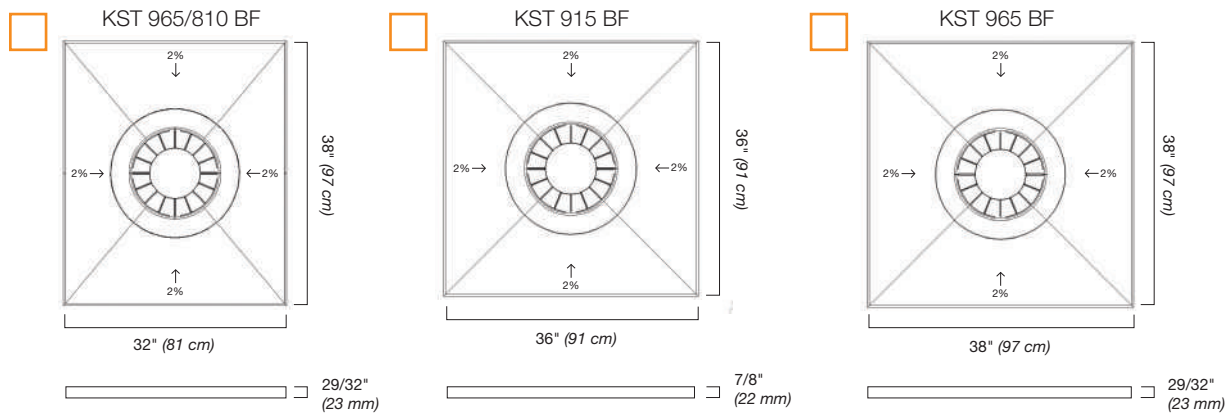
Schluter®-KERDI-SHOWER-T/-TS/-TT

The **KERDI-SHOWER-T** is the standard tray with center drain placement. The **KERDI-SHOWER-TS** is the standard tray with off-center drain placement.

Note: The KERDI-SHOWER-T/-TS/-TT shower trays include a KERDI collar (pictured) to seal the KERDI-DRAIN to the shower tray.

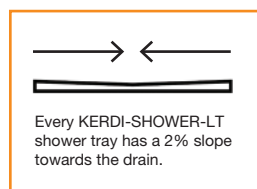
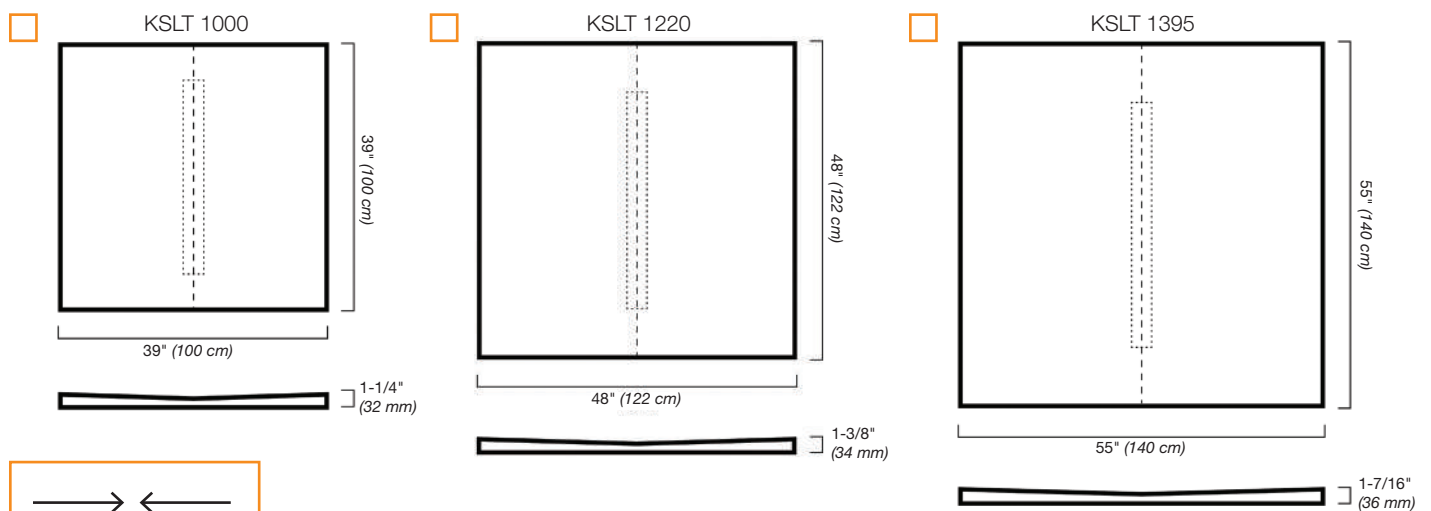


The **KERDI-SHOWER-TT** features a thin perimeter height that simplifies the construction of curbless showers.

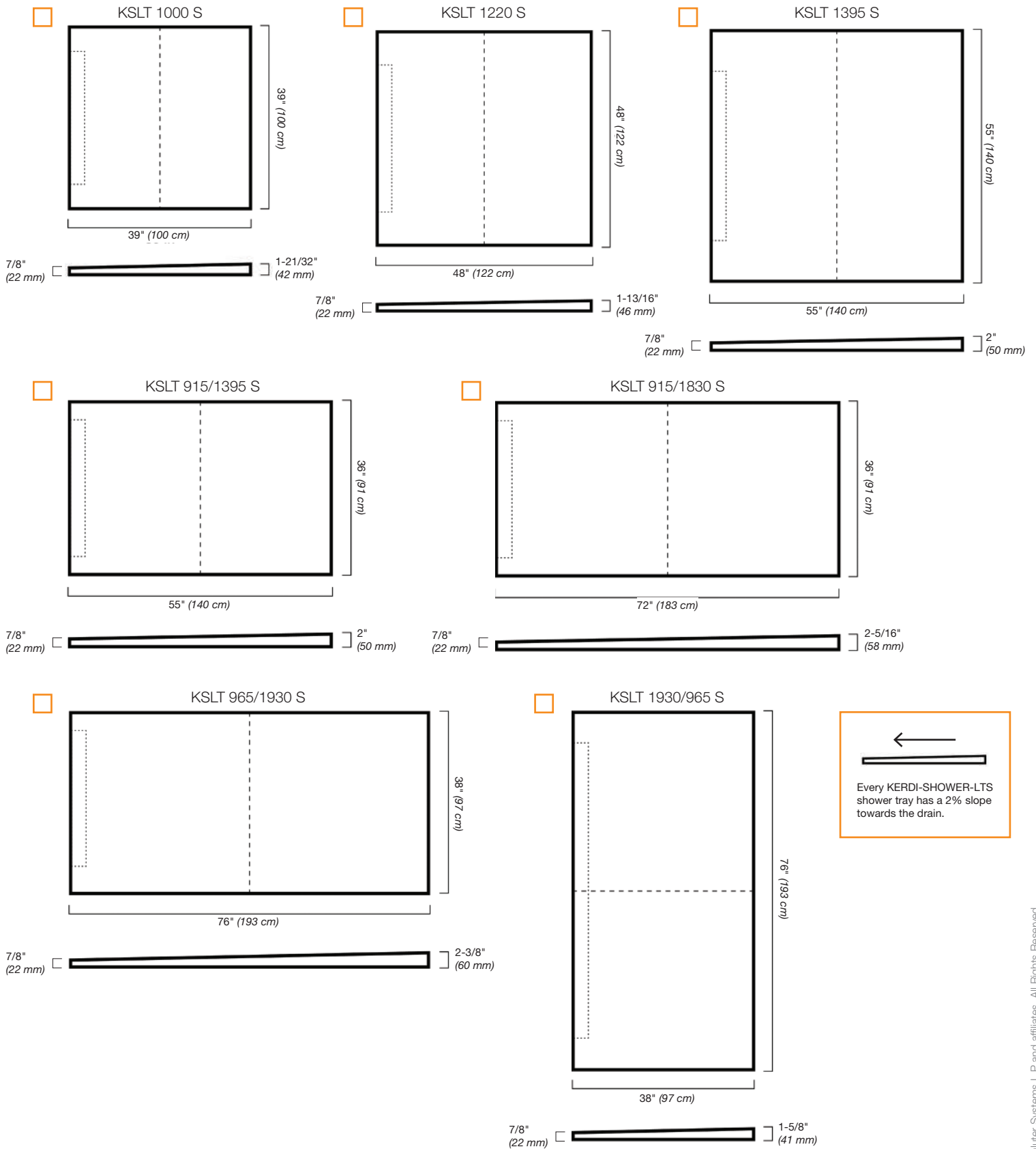


Schluter®-KERDI-SHOWER-LT/-LTS

The **KERDI-SHOWER-LT** allows for the installation of a center drain.



The **KERDI-SHOWER-LTS** accommodates the installation of the drain along the perimeter of the shower.



See **Shower System technical data sheet** for information on Schluter®-KERDI-DRAIN, Schluter®-KERDI-DRAIN-H, Schluter®-KERDI-LINE, and other Schluter®-Shower System components. See **Schluter®-Shower System Installation Handbook** for installation instructions and warranty criteria.

Schluter®-KERDI-DRAIN drain flanges, Schluter®-KERDI-LINE linear drains, and respective drain grates sold separately.

For a complete offering of materials and SKUs, please visit www.schluter.com.

This specification sheet is subject to change without notice. Please visit www.schluter.com for the latest version.