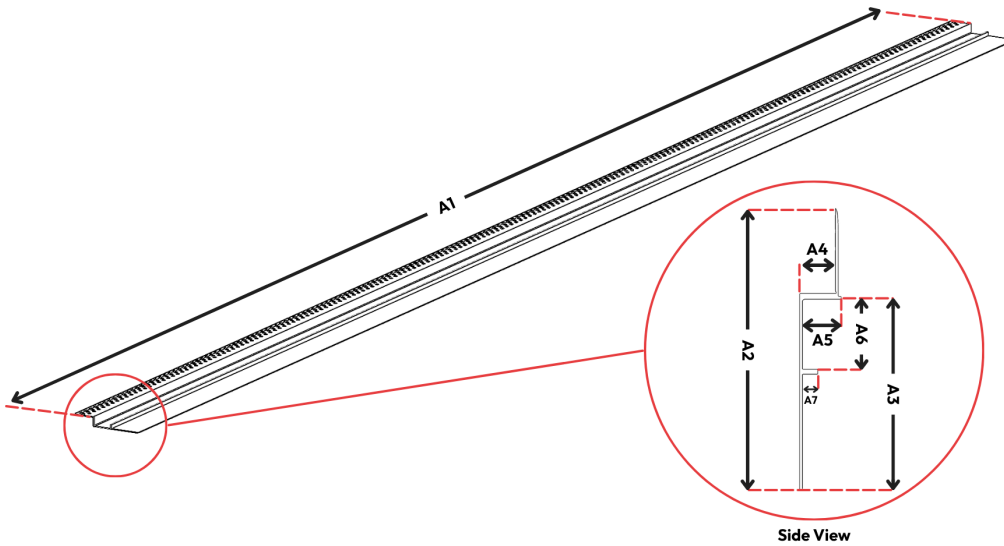


Flush Trim Mount [Lite]

Component Dimensions



Imperial (in)

| | 8ft | sample |
|----|--------|--------|
| A1 | 94 1/2 | 8 |
| A2 | 4 | 4 |
| A3 | 2 3/4 | 2 3/4 |
| A4 | 1/2 | 1/2 |
| A5 | 9/16 | 9/16 |
| A6 | 1 | 1 |
| A7 | 1/4 | 1/4 |

Metric (mm)

| | 8ft | sample |
|----|--------|--------|
| A1 | 2400.3 | 203.2 |
| A2 | 101.6 | 101.6 |
| A3 | 69.9 | 69.9 |
| A4 | 12.7 | 12.7 |
| A5 | 14.3 | 14.3 |
| A6 | 25.4 | 25.4 |
| A7 | 6.4 | 6.4 |

Additional Notes

Components

Body: Made from extruded VINYL plastic. Features a beaded flange for seamless, mud-in installation. Pre-cut into 94.5" (2400mm) lengths. Easily cuts into smaller pieces for custom lengths

Patent information: <http://www.fittes.com/pages/patents>