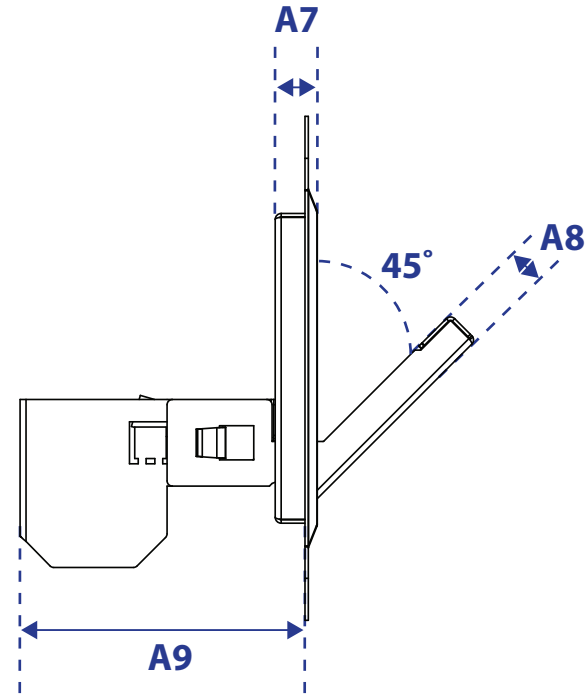
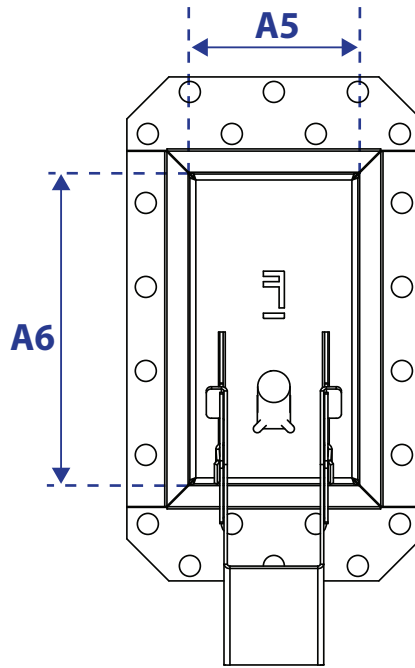
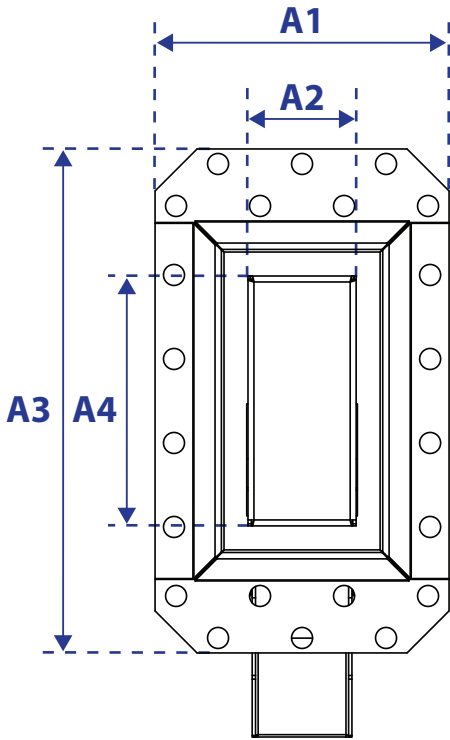
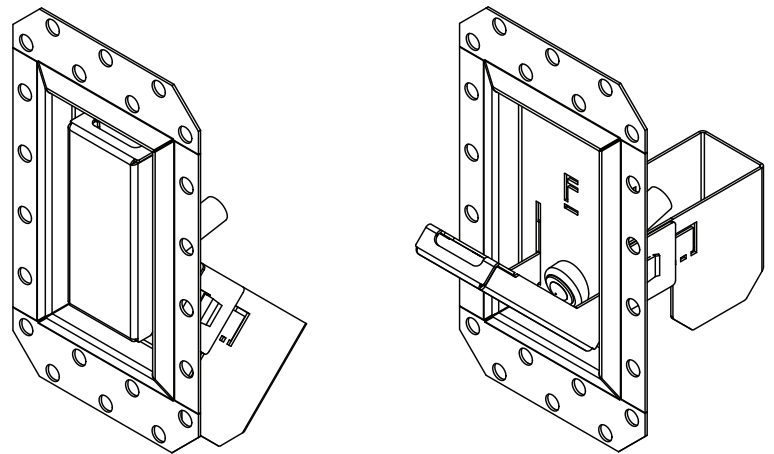




Flush Hideaway Hook [Luxe]
Specification Sheet



Perspective View



Component Dimensions

Imperial

Dimension	Imperial
A1	3 1/2"
A2	1 9/32"
A3	6"
A4	2 31/32"
A5	2 1/32"
A6	3 23/32"
A7	1/2"
A8	7/16"
A9	3 13/32"

Metric

Dimension	Metric
A1	89mm
A2	33mm
A3	152mm
A4	75mm
A5	52mm
A6	94mm
A7	13mm
A8	11mm
A9	87mm

Components

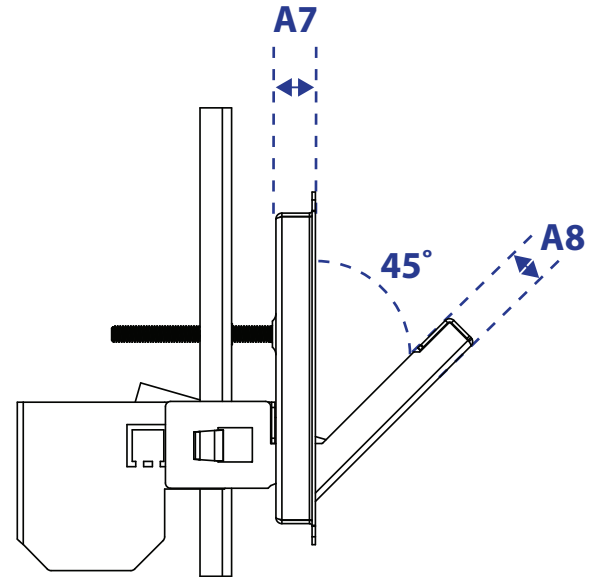
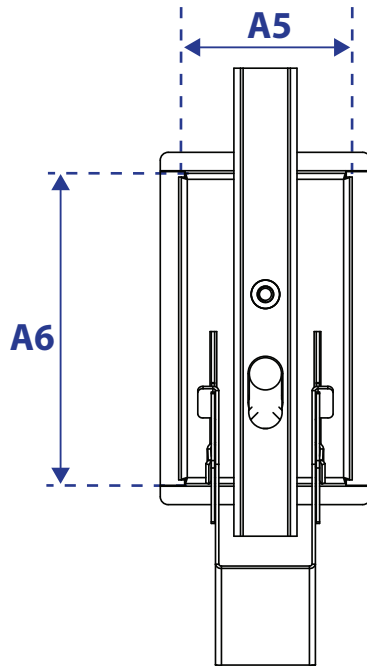
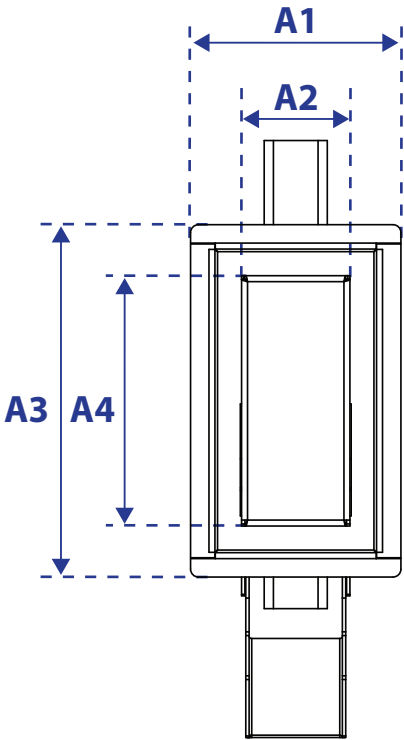
Body: Constructed of Galvanneal Steel and painted white. Features a beaded edge that can be seamlessly blended into surrounding drywall surface using typical drywalling techniques. Some additional tools required.

Hook: Opens 45 degrees. Counter-weight located at the rear goes inside the drywall cavity.

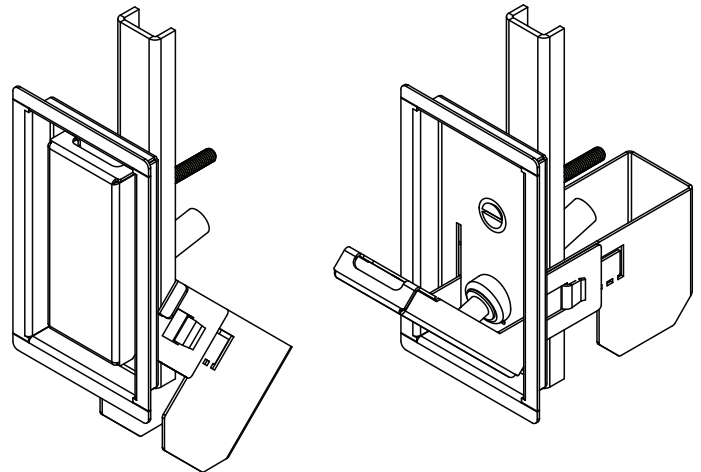
Soft-closer: Grey colored soft closer ensures a smooth and consistent closing action every time.



Framed Hideaway Hook [Luxe]
Specification Sheet



Perspective View



Component Dimensions

Imperial

A1	2 1/2"
A2	1 9/32"
A3	4 3/16"
A4	2 31/32"
A5	2 1/32"
A6	3 23/32"
A7	15/32"
A8	7/16"
A9	3 13/32"

Metric

A1	64mm
A2	33mm
A3	106mm
A4	75mm
A5	52mm
A6	94mm
A7	13mm
A8	11mm
A9	87mm

Components

Body: Constructed of Galvanneal Steel and painted white. Features a framed edge that is DIY freindly. Some basic tools required.

Hook: Opens 45 degrees. Counter-weight located at the rear goes inside the drywall cavity.

Soft-closer: Grey colored soft closer ensures a smooth and consistent closing action every time.

"C" Support: Provides tension and support inside drywall. Tightened and loosened using provided screw.