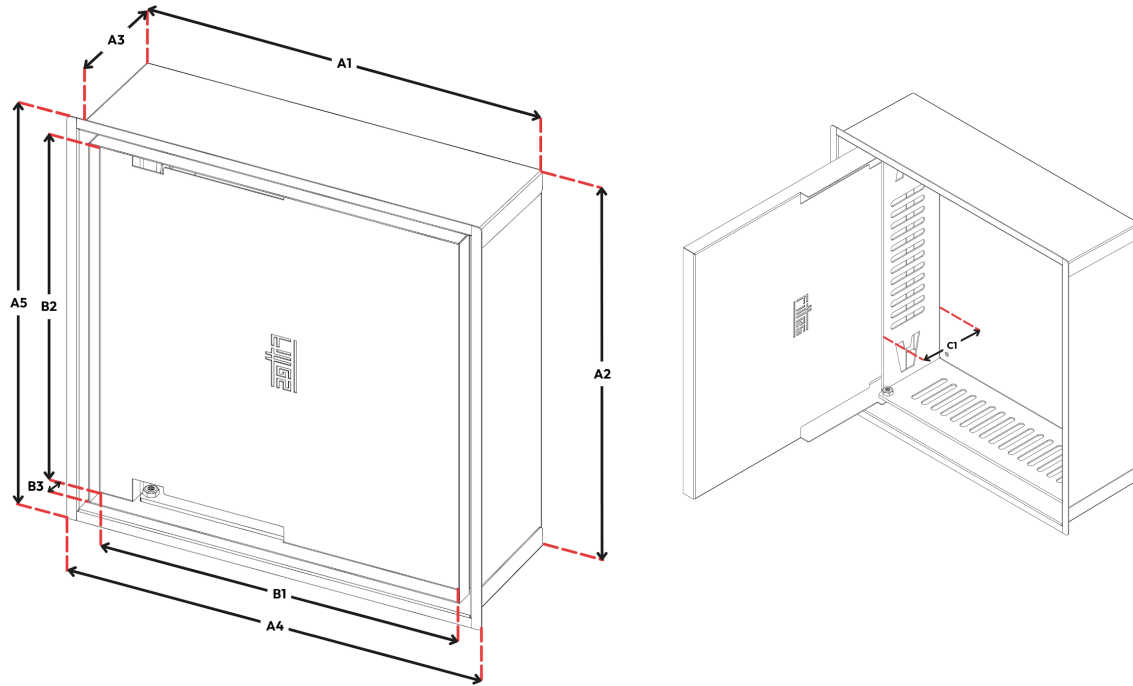


## Framed Shower Niche

### Component Dimensions



	Imperial (in)	Metric (mm)
A1	11 3/4	298.45
A2	11 1/2	292.10
A3	3 31/32	100.81
A4	12 5/16	312.74
A5	12 5/16	312.74
B1	10 15/16	277.81
B2	10 15/16	277.81
B3	9/16	14.29
C1	2 7/8	73.03

Patent information: <http://www.fittes.com/pages/patents>

### Additional Notes

#### Components:

Constructed out of 304 Grade Stainless Steel. Providing a durable and corrosion resistant product with hospital grade hygienic properties.

**Door:** Secure finished surface material with adhesive for flush install

**Body:** Storage nook for all your shower toiletries. Four grated walls to prevent water buildup + "A" shaped hooks for hanging shower accessories. Niche interior complete with functional mirrored finish.

#### Install Notes:

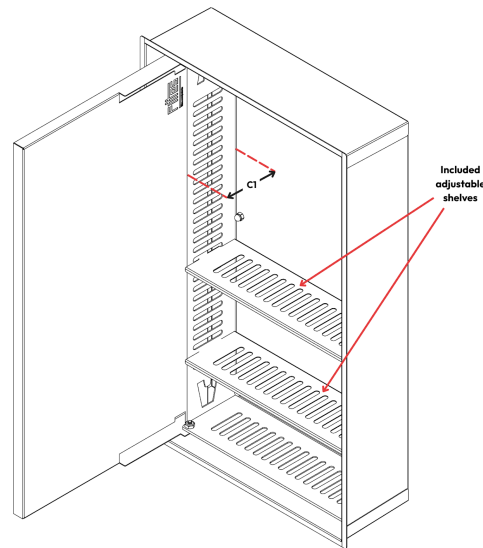
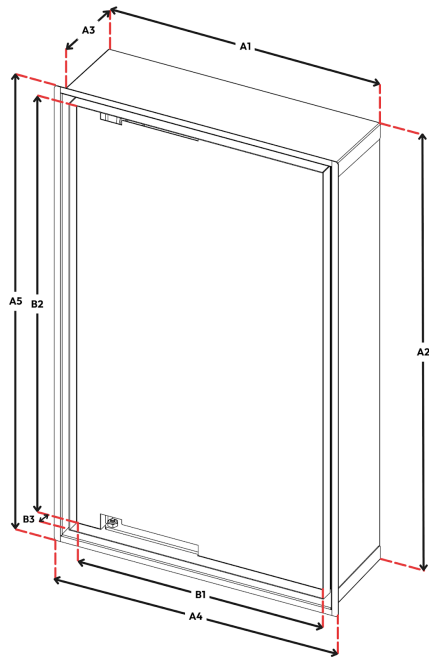
Drop in install, suitable for new builds or retrofit into your existing space. Waterproof barrier must be installed behind your niche.

#### Compatible Materials:

Maximum thickness 1/2". Tile, mosaic, hardwood, laminate, etc.

# Framed Shower Niche

## Component Dimensions



	Imperial (in)	Metric (mm)
A1	11 13/16	300.04
A2	19 1/2	495.30
A3	3 31/32	100.81
A4	12 5/16	312.74
A5	20 5/16	515.94
B1	10 31/32	278.61
B2	19	482.60
B3	9/16	14.29
C1	2 7/8	73.03

## Additional Notes

### Components:

Constructed out of 304 Grade Stainless Steel. Providing a durable and corrosion resistant product with hospital grade hygienic properties.

**Door:** Secure finished surface material with adhesive for flush install

**Body:** Storage nook for all your shower toiletries. Four grated walls to prevent water buildup + "A" shaped hooks for hanging shower accessories. Niche interior complete with functional mirrored finish.

**Shelves:** Two stainless steel adjustable shelves are included. they can be mounted anywhere on the grated walls.

### Install Notes:

Drop in install, suitable for new builds or retrofit into your existing space. Waterproof barrier must be installed behind your niche.

### Compatible Materials:

Maximum thickness 1/2". Tile, mosaic, hardwood, laminate, etc.