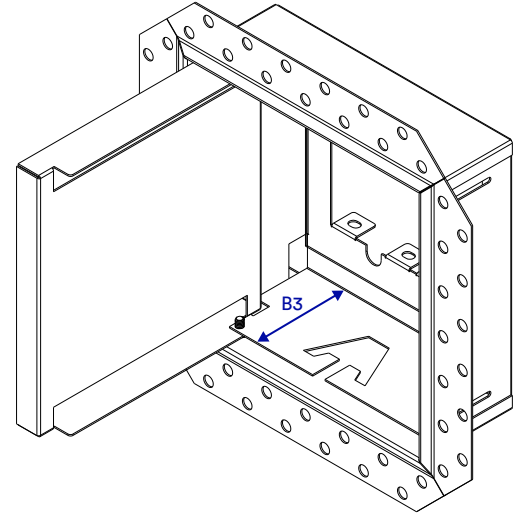
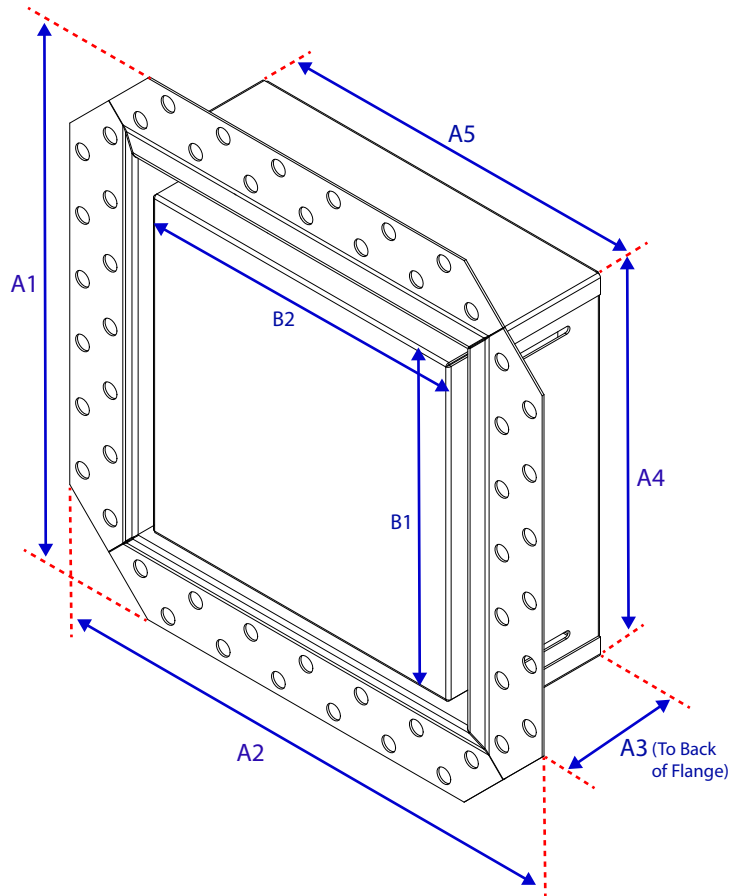


## Drywall No-See Receptacle Mount [Luxe] Specification Sheet



### Component Dimensions

	1 GANG		2 GANG	
	Inches	MM	Inches	MM
A1	8 <sup>7</sup> / <sub>16</sub>	214mm	8 <sup>7</sup> / <sub>16</sub>	214mm
A2	6 <sup>7</sup> / <sub>16</sub>	164mm	8 <sup>7</sup> / <sub>16</sub>	214mm
A3	2 <sup>11</sup> / <sub>32</sub>	60mm	2 <sup>11</sup> / <sub>32</sub>	60mm
A4	6	152mm	6	152mm
A5	4 <sup>1</sup> / <sub>8</sub>	105mm	6 <sup>1</sup> / <sub>16</sub>	154mm
B1	5 <sup>7</sup> / <sub>16</sub>	138mm	5 <sup>7</sup> / <sub>16</sub>	138mm
B2	3 <sup>7</sup> / <sub>16</sub>	87mm	5 <sup>7</sup> / <sub>16</sub>	138mm
B3	2 <sup>1</sup> / <sub>4</sub>	57mm	2 <sup>1</sup> / <sub>4</sub>	57mm

### Components

Constructed out of rust resistant galvanized steel, coated with a durable powdercoat finish in white

**Door:** Paint to match drywall surface.

**Body:** Allows you to discreetly conceal your light switches & outlets. "A" shaped cutouts allow for outlets to remain in use while the door is closed.

### Install Notes

Mud-in install requires drywall mudding, sanding, and painting for a proper finish.