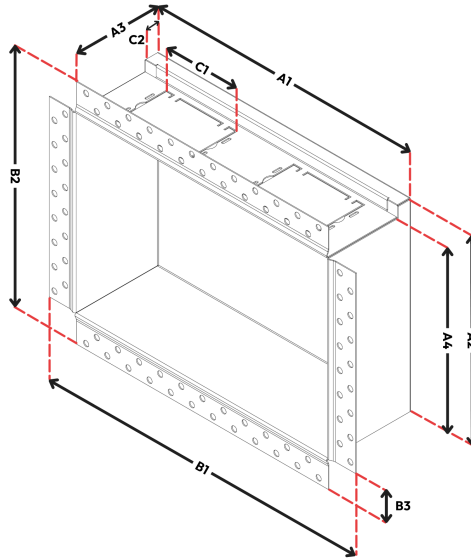




Dimension Database

Flush Anywhere Niche

Component Dimensions



Imperial (in)

	8"x12"
A1	12
A2	8 25/32
A3	3 7/8
A4	8 9/32
B1	14 1/2
B2	10 3/4
B3	1 1/4
C1	3 3/8
C2	5/8

Metric (mm)

	8"x12"
A1	304.8
A2	223.0
A3	98.4
A4	210.3
B1	368.3
B2	273.1
B3	31.8
C1	85.7
C2	15.9

Additional Notes

Components

Material: Powder coated surface to be finished with paint or wallpaper

Application: Corner bead edge to be fastened to surface and finished with drywall mud

Patent information: <http://www.fittes.com/pages/patents>

