



## UNIVERSAL FLANGE ADAPTOR FULL ASSEMBLY KIT TECHNICAL SPECIFICATION

### DESCRIPTION

The QuickDrain Universal Flange Adaptor is made of reinforced nylon and molded in the USA. It is available in two sizes: large (13") and small (10-1/2") suitable for 4", 5", and 6" SquareDrain bodies. The flange adaptor shall have universal bolt slots and Phillips head screws which can be fastened to most drain bases. It shall have a molded TPE dual profile gasket which seals to most PVC/ABS drain bases to upgrade or retrofit from traditional pan liner to topical membrane waterproofing. It shall have integrated threads and a weep zone to allow water to properly migrate to the drain. The flange shall be textured to bond topical fabric membrane with thinset and is compatible to topical liquid applied waterproofing.

### NOTE

Drain capacity for 2" outlet is 12 GPM in a properly waterproofed shower pan with curb (the actual volume is limited by the plumbing lines and P-trap).

### APPLICATIONS/USES

- Industrial, commercial and residential showers
- Gang showers
- Pet Showers

### SUITABLE SUBSTRATES (INTERIOR ONLY)

- Concrete
- Exterior Glue Plywood
- Cement backer board\*\*
- OSB or Avantech

\*\*Consult cement backer board manufacturer for specific installation recommendations

### OPTIONAL ACCESSORIES

Drain Body Components: 4", 5", or 6" 304 Stainless Steel Drain Body, Tool-Free Test Plug.

Shower Pan Accessories: PET Point Pan, PET Extensions, Curb Forms

Waterproofing Accessories:

- Sheet Membrane
- QTS waterproofing kit(s)

Liquid Applied Membrane

- Curb Covers, Inside Corners, Reinforcement Collar, Reinforcement Fabric

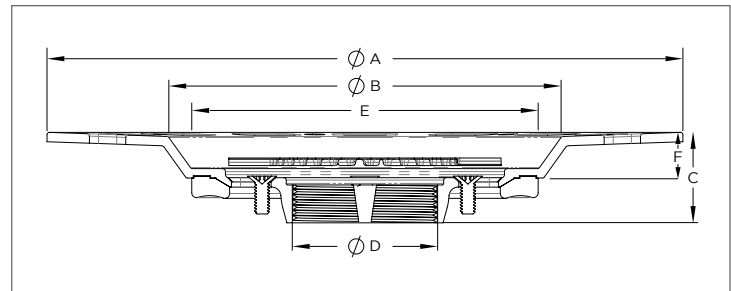
### APPROVALS AND LISTINGS

Before installing QuickDrain USA system, check with your local building department/plumbing inspector to ensure compliance with the local building codes. QuickDrain USA LLC is not responsible for any conflicts with local building codes. QuickDrain USA LLC is not responsible for improper installation of any part of the assembly or the waterproofing membrane. Dimensions are subject to manufacturer's tolerance and can change without notice.



Universal Flange Adaptor is compatible with most PVC/ABS drain bases including Oatey®, Jones Stephens™, Sioux Chief, and AB&A™ models. Please reach out to Technical Support for additional information.

Job Name _____	Item # _____
Location _____	
Engineer _____	Contractor _____
PO # _____	Tag _____
Representative _____	

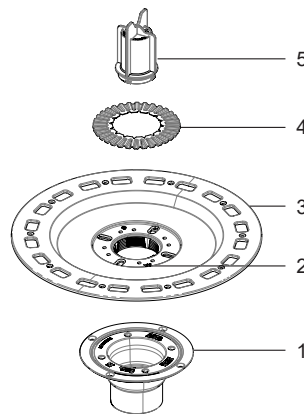


### DIMENSIONS - LARGE ADAPTOR

[A]:	Flange	13"
[B]:	Recess Width	9"
[C]:	Assembled Height	4"
[D]:	Hub Dimension	2" Sch 40
[E]:	Compatible Drain Bodies	5", 6"
[F]:	Drain Body Depth	1/4"

### DIMENSIONS - SMALL ADAPTOR

[A]:	Flange	10-1/2"
[B]:	Recess Width	6-1/2"
[C]:	Assembled Height	4"
[D]:	Hub Dimension	2" Sch 40
[E]:	Compatible Drain Bodies	4"
[F]:	Drain Body Depth	1/4"



Item	Description	Qty
1	Low Profile Drain Base (ABS or PVC)	1
2	Phillips Head Screws	4 each
3	Flange Adaptor	1
4	Weep Protector	1
5	Tool-Free Test Plug	1

### PRODUCT SELECTOR

UNIVERSAL FLANGE ADAPTOR FULL KIT			
✓ Drain Base Material	Flange Adaptor Size	Drain Body Size	Product Number
PVC	Small	Universal designed for 4" Drain Body	SDUFAPVCS
ABS	Small	Universal designed for 4" Drain Body	SDUFAABSS
PVC	Large	Universal, designed for 5" or 6" Drain Bodies	SDUFAPVCL
ABS	Large	Universal, designed for 5" or 6" Drain Bodies	SDUFAABSL

Access BIM/Revit content through [www.oatey.com](http://www.oatey.com)