



SHOWERLINE DRAIN KIT TECHNICAL SPECIFICATION

DESCRIPTION

- The ShowerLine system shall be used when installing linear shower drains in curbed or curbless applications. The shower drain body shall be made of PVC with an internally sloped trough to prevent stagnant water from sitting in the trough and hard water build up.
- The drain shall feature trough extensions (5" for each side, 10" total) to achieve wall-to-wall coverage and accommodate on-site adjustments if the existing drain is not centered.
- The drain shall include height adjustable spacers for use with finish materials that are 3/8" to 3/4" thick and to ensure the drain cover is flush with the finished floor.
- The shower drain shall be compatible with the following types of waterproofing: sheet waterproofing membrane, topical liquid waterproofing, hot mop, and various forms of shower pan liner including PVC (PolyVinyl Chloride), CPE (Chlorinated PolyEthylene), vinyl, and rubber).
- Drain capacity for shower drains with a 2" outlet shall be 12 GPM for shower pans with a curb and 5 GPM for shower pans without a curb at the entry. For drains with a 1.5" outlet the drain capacity shall be 9 GPM for shower pans with a curb and 3.5 GPM for shower pans without a curb at the entry.**

** The actual volume is limited by the plumbing lines and P-trap.

APPLICATIONS/USES

- Industrial, commercial and residential showers
- Gang showers
- Pet Showers

SUITABLE SUBSTRATES (INTERIOR ONLY)

- Concrete
- Exterior glue plywood
- OSB or Avantech

DRAIN KIT INCLUDES

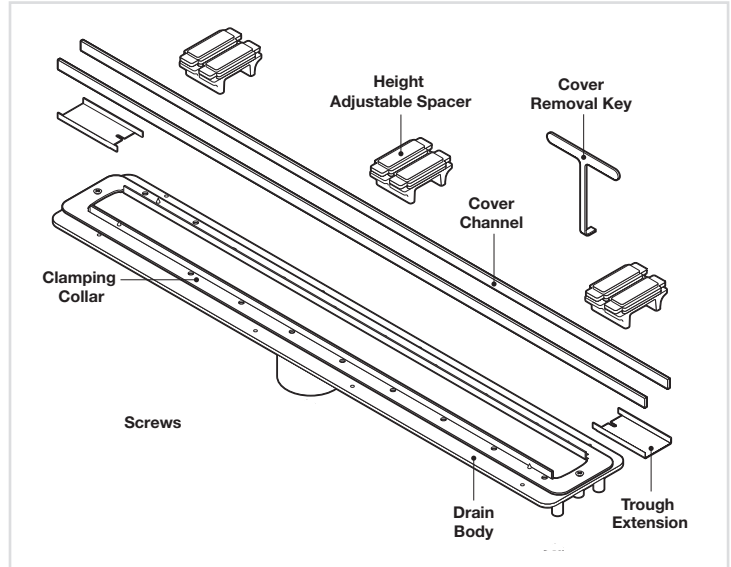
- PVC Parts: Drain Body (1), Height Adjustable Spacers¹
- 304 Stainless Steel Parts: Decorative Drain Cover (1), Clamping Collar (1), Cover Channel (2), Trough Extension (2), Screws²
- Other: Cover Removal Key

See chart for part quantities of different drain lengths.

REQUIRED PARTS NOT INCLUDED

- ShowerLine installation kit or dry pack mortar bed with choice of waterproofing:
 - QuickDrain Sheet Waterproofing
 - Oatey Shower Pan Liner
 - Hot mop material
 - Topical liquid waterproofing

Job Name _____	Item # _____
Location _____	
Engineer _____	Contractor _____
PO # _____	Tag _____
Representative _____	



APPROVALS AND LISTINGS

Before installing the QuickDrain system, check with your local building department/plumbing inspector to ensure compliance with the local building codes. QuickDrain is not responsible for any conflicts with local building codes or improper installation of any part of the assembly or the waterproofing membrane. Dimensions are subject to manufacturer's tolerance and can change without notice.



MODEL NUMBER	HEIGHT ADJUSTABLE SPACERS ¹	SCREWS ²
SL2432D1, SL2432	4	22
SL3240	4	26
SL4048	6	34
SL4856	6	38
SL5664	8	42
SL6472	8	50

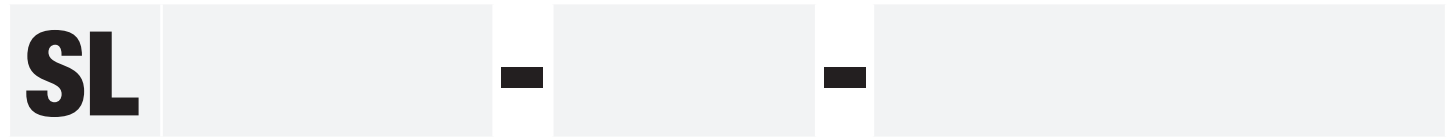
Access BIM/Revit content through www.oatey.com



SHOWERLINE DRAIN KIT TECHNICAL SPECIFICATION

PRODUCT SELECTOR

EXAMPLE: SL24BGDC SHOWERLINE INSTALLATION KIT FOR SHOWERS 24IN TO 32IN WIDE WITH BRUSHED GOLD DECO DRAIN COVER



**ShowerLine
Drain Kit**

Drain Body Size

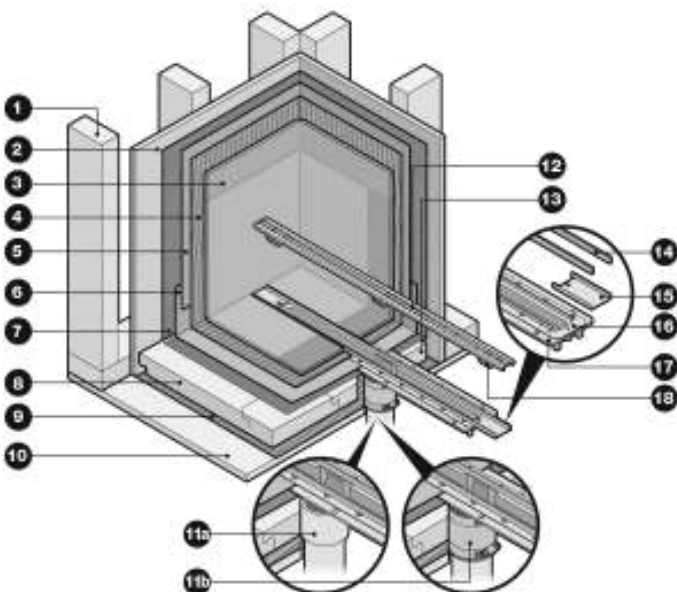
Finish

Cover Design

✓	DRAIN BODY SIZE	
	2432 =	For rough opening 24"-32" wide
	3240 =	For rough opening 32"-40" wide
	4048 =	For rough opening 40"-48" wide

✓	FINISH	
	BG =	Brushed Gold
	BSS =	Brushed Stainless Steel
	MB =	Matte Black
	PSS =	Polished Stainless Steel*

✓	COVER DESIGN
	DECO
	LINES
	STONES
	STREAM
	TILE-IN



INSTALLATION NOTES

- Drain body cannot be cut, but can be extended with use of trough extensions.
- Drain cover can be cut onsite to achieve wall-to-wall installation.
- Cutaway illustration shown here is for installation using a pre-sloped shower pan and sheet waterproofing. For different types of installations, please see our other cutaway illustrations at LRBrands.com/QuickDrain

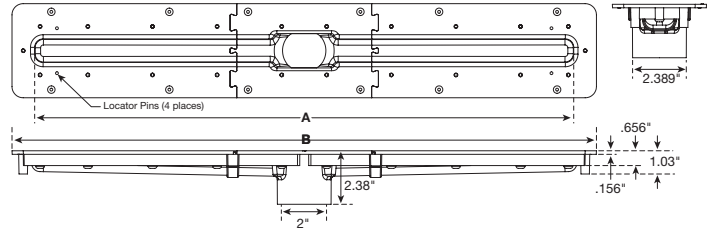
- | | |
|---|--|
| 1 Stud wall | 11a PVC-to-PVC connection |
| 2 Backer board | 11b Shielded no-hub coupling |
| 3 Wall tile and grout | 12 Drain cover |
| 4 Thin-set (for wall tile) | 13 Interlocking drain support frame |
| 5 Sheet waterproofing for wall | 14 Cover channel |
| 6 Sheet waterproofing for shower pan | 15 Trough extensions |
| 7 Thin-set | 16 Clamping collar |
| 8 Pre-sloped shower pan | 17 Drain body |
| 9 Thin-set | 18 Height adjustable spacer |
| 10 Sub-floor | |

Access BIM/Revit content through www.oatey.com

SHOWERLINE DRAIN KIT TECHNICAL SPECIFICATION

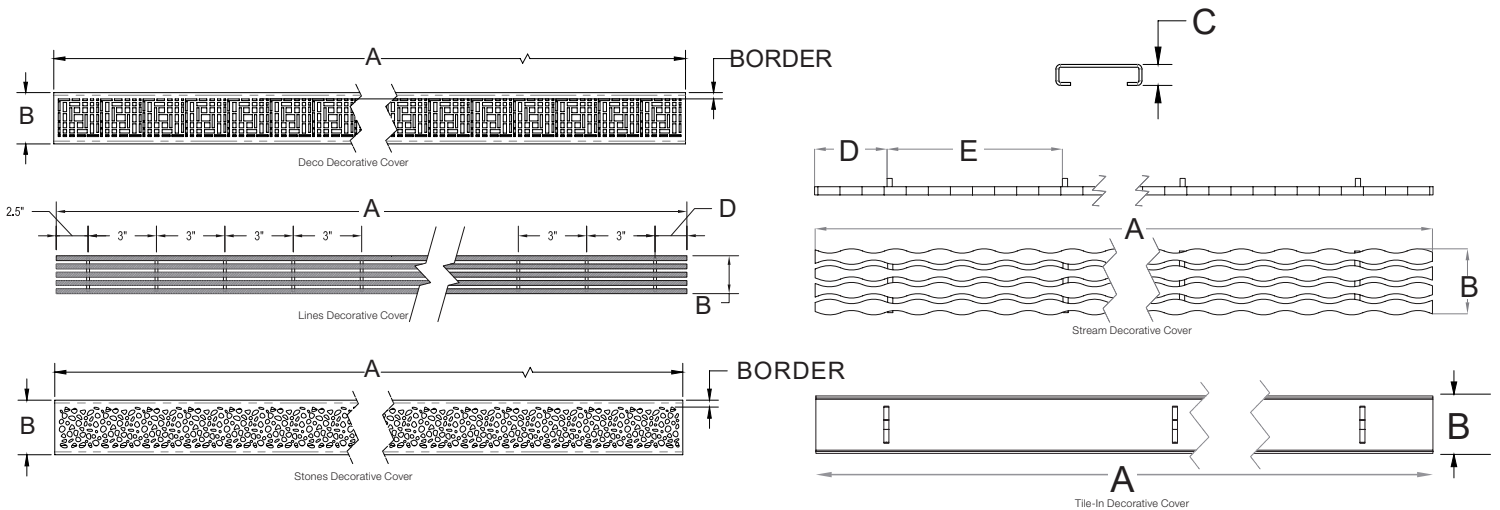
DRAIN BODY DIMENSIONS

	SL2432-	SL3240-	SL4048-
Trough Opening [A]	24"	32"	40"
Drain Body Width [B]	26"	34"	42"
Maximum Width with Trough Extensions	32"	40"	48"
Height Adjustable Spacers	4	4	6
Screws for Clamping Collar	22	26	34



DECORATIVE DRAIN COVER DIMENSIONS

	[A] Length	[B] Width	[C] Depth	[D] Distance between Crossbars	[E] Final Crossbar to Edge	Border
Deco	32", 40", 48"	1-1/2"	3/8"	n/a	n/a	3/16"
Lines				3"	2-1/2"	n/a
Stones				n/a	n/a	3/16"
Stream				4-1/16"	1-11/16"	n/a
Tile-In				n/a	n/a	n/a



Access BIM/Revit content through www.oatey.com