

Shoreline  
Luxury Vinyl Click



# Installation Instructions

Virgin Rigid Plank – 100% Ortho Phthalate Free

## Attention

Before starting installation, read all instructions. Installation instructions must be followed for warranties to be considered valid. Pre-inspect the job site prior to delivery of the Rigid Vinyl flooring. It is the responsibility of the owner and installer to ensure that the structure is suitable for the installation of luxury vinyl plank flooring using the following guidelines. The manufacturer is not responsible for flooring failure due to unsatisfactory job site and/or subfloor conditions. If any questions arise, please consult your Rigid Vinyl flooring dealer.

## General Guidelines

- 1. Rigid Vinyl Flooring can only be installed as a Floating floor**
- 2. Best Visual Look:** Rigid Vinyl Plank flooring replicates the look of a natural flooring product which has innate variations in color, sheen, and texture. Please pull from various cartons during installation and be careful not to install similar planks near each other so as to ensure best possible visible effect.
- 3. Weather Tight:** Roofing and the exterior of the structure must be finished and weather tight with doors and windows installed. Manufacturer cannot be held responsible for job site conditions.
- 4. Moisture:** Vinyl Rigid flooring is not a vapor barrier. A moisture barrier of 6-8 mil poly sheeting under the flooring is required over all concrete installations and recommended on other subfloors if there is a potential for subfloor moisture. Care should be exercised in order to ensure that there is not a moisture issue within the structure or any moisture intrusion from any source prior to installation. Manufacturer does not warrant against damage, environmental, or structural from the effects of moisture intrusion from any source. All Concrete, masonry, plastering, and other "wet" work must be complete and thoroughly dry. Concrete must be cured and tested for moisture. Painting of walls should be complete. Moisture content of the subfloor should not vary more than 2% MC from the top of the subfloor to the bottom. The moisture content of a wood subfloor must not exceed 12%.
- 5. Crawl Space Ventilation:** Crawl spaces must be a minimum of 18" from the ground to the underside of the joists. Crawl space earth (or thin concrete foundation slab) should be 100% covered by a vapor retarder of black polyethylene film (minimum 6 mil) or any recommended puncture resistant membrane, such as Class C meeting ASTM D1745. Joists must be lapped 6" and sealed with moisture resistant tape. The crawl space should have proper perimeter venting. Size of available vents should be equal to a minimum of 1.5% of the square footage of the crawl space. The vents should be located to provide for optimal cross ventilation. Check local building codes for additional requirements. Relative humidity of crawl space should be consistent with interior of home. Moisture content of subfloor should not vary more than 2% MC from the top of the sub-floor to the bottom.
- 6. Basements:** Basements should be weather tight and have appropriate drainage systems in place. Rain gutters must be in place to carry moisture away from the structure. Humidity in basements must be controlled to prevent mold and damage to structure and vinyl flooring. Basement walls should be free of cracks and excessive moisture. Basement windows must have drains near them. Landscape irrigation systems and sprinklers should be directed away from the foundation. Drip irrigation systems for plant beds near structure are recommended.
- 7. Vapor Retardant Systems:** Several adhesive manufactures offer vapor retardant systems to help protect luxury vinyl flooring from moisture intrusion which can come up from the concrete slab. If you choose to add a vapor barrier, please specifically follow the manufacturer's instructions. New concrete slabs require a minimum of 60 days drying time before you should consider installing a luxury vinyl floor on them. The slab must be fully cured and the slab must be comprised of a Portland-based mix with a minimum 3000 PSI of compressive strength. The moisture content of the concrete subfloor must be less than 90% relative humidity (RH test, ASTM F2170) or less than (MVER, ASTM F1896) always measure, record and keep moisture content results.
- 8. Climate Control:** Structure must have working climate control operating. To ensure proper performance of the floor, climate control at the job site should be maintained with the room temperature between 60-75 degrees Fahrenheit and relative humidity within 30-50% before, during, and after installation. These conditions must be maintained for at least 7 days prior to installation. Do NOT install Rigid Vinyl flooring where it will be exposed to temperatures in excess of 140 degrees Fahrenheit.

## Pre-Installation Inspection

9. **Storage and Handling:** Do NOT store flooring where there is no climate control. Make sure job conditions are right before delivering flooring. Flooring should not be delivered until exterior shell of house including roof is completed and house is weather tight with all windows and doors in place. All cement work including concrete slab, plastering, painting, and all other “wet” work is completed and thoroughly dry with the exception of final coat on base molding. Store flooring only in a dry climate-controlled environment. Provide at least 4” of space underneath boxes of stored flooring to allow for proper air movement. Avoid prolonged exposure to direct sunlight as this can cause expansion and discoloration.
10. **Install Flooring Last:** Luxury vinyl flooring should be the last material installed into the structure with the exception of the base molding. Covering the floor with paper while other trades are working can result in moisture damage to the flooring as well as denting and scratching of the material. Coverings over the flooring held in place by tapes can cause damage to the finish of the flooring.
11. **Built-in Cabinets:** Built-in cabinets and built-in furniture should be installed prior to the flooring. Do NOT install cabinets or fixed objects on top of the AquaShield Vinyl flooring. AquaShield Vinyl flooring is made to free float on subfloor. Installation of cabinets or other permanent built-ins can inhibit the ability of the floor to expand and contract which can lead to floor failure. Perimeter gluing is also not recommended for this same reason.
12. **Appliances:** Standard kitchen appliances; such as, refrigerators and stoves, are acceptable for placement on luxury vinyl plank flooring. Use great care when moving appliances. It is highly recommended that you use a proper furniture dolly, air sled, 1/8” Masonite with glossy side down, or plastic glides which are designed for moving heavy appliances. Failure to follow these guidelines will result in damage to the floor.
13. **Acclimation:** Acclimation is not always needed. It is the responsibility of the owner and flooring installer to make sure that flooring is acclimated to proper temperature and humidity conditions. The AquaShield Vinyl flooring must be installed where the temperature has been 60-75 degrees Fahrenheit and relative humidity within 30-50% at least 7 days prior to the installation. If the material has come from conditions outside these temperature and humidity parameters, the flooring material should be conditioned at the job site until the temperature of the product matches the indoor temperature.

## Pre-Installation Inspection

1. It is the responsibility of the owner and flooring installer to carefully conduct a quality inspection of all flooring prior to installation. Please ensure that material ordered is what has been received. Inspect for color, sheen, finish, and quality. Flooring that has been installed will be deemed to have been inspected and accepted by the owner and installer. If the product does not meet the acceptance of the owner or the installer, it should not be installed. Manufacturer will not be responsible for flooring that has been installed with visible defects.
2. Recognizing that vinyl flooring can be affected by varying levels of temperature and humidity within your structure, care should be taken to control them. It may be necessary to install exhaust fans and/or humidifiers or dehumidifiers to help maintain levels of temperature and humidity. Uncontrolled humidity can lead to mold which can damage the structure and the flooring.
3. Prior to installing any flooring, the owner and installer must ensure that the jobsite and subfloor meets the requirements as set forth in these instructions. Manufacturer will not be responsible for flooring failure due to unsatisfactory jobsite and/or subfloor conditions.

## Subfloor Guidelines

1. Acceptable Substrates:
  - Concrete – On, Above or Below grade– FLOATING INSTALLATION ONLY
    - Gypcrete/Lightweight Concrete
    - Wood – Over Crawlspace, Basement, and Above grade
    - OSB and Subfloor rated plywood
    - Ceramic Tile – must be smooth, well-bonded, grout lines depth of less than 1/16”
    - Sheet Vinyl that is not cushioned or perimeter glued  
Note: Soft underlayment or soft substrates will diminish the product’s strength.
    - CDX Underlayment Grade Plywood (over existing wood subfloor)
    - Existing Wood Floor (on wood subfloor glued or nailed)
2. Unacceptable Substrate Types:
  - Other floating floors (wood, vinyl, laminate)
  - Perimeter glued resilient vinyl
  - Rubber tiles on concrete
  - Solid or engineered wood flooring on concrete
  - Cushion Back Vinyl
  - Rubber Tiles
  - Carpet or Carpet Pad
  - Sleeper Substrate Systems
  - Lumber Subfloor
  - Resilient floors installed below grade

## Subfloor Preparation Wood:

1. All subfloors must be structurally sound, dry, clean, smooth, and flat to a tolerance of 3/16” within a 10’ radius, 1/8” within a 6’ radius. If not level, sand down high spots and fill low spots with a Portland based leveling compound.
2. All subfloors must be free from any dust, paint, oil, solvents, adhesives, wax, and debris. Do not use solvent-based strippers to clean the subfloor as they could interfere with the bonding of the vapor barrier and adhesive that bonds the pad to back of plank.
3. Wood subfloor moisture testing must be conducted prior to installation. The top and bottom of the subfloor should vary by no more than 2% MC. The moisture content of a wood subfloor must not exceed 12%.
4. Wood subfloors with a crawlspace must have a minimum of 18” between the bottom of the joists and the surface of the ground. The ground must be covered with a 6 – 20 mil black polyethylene film that will serve as a vapor barrier. Plastic must be overlapped at joints by a minimum of 8” and sealed securely using a moisture resistant tape.
5. Subfloor must be firm. Maximum deflection between joists 1/16”. When sagging or subfloor deflection of 1/16” or greater exists between joists, the floor should be sheeted with a 3/8” to 1/2” CD or better grade plywood to make the subfloor firmer.

## Subfloor Preparation Concrete:

1. All subfloors must be structurally sound, dry, clean, smooth, and flat to a tolerance of 3/16” within a 10’ radius, 1/8” within a 6’ radius.

2. All subfloors must be free from any dust, paint, oil, solvents, adhesives, wax, and debris. Do not use solvent-based strippers to clean the subfloor as they could interfere with the bonding of the vapor barrier and adhesive systems.
3. A 6-8 mil poly film moisture barrier is required between the subfloor and the AquaShield Vinyl Flooring on, above and below grade.
4. Concrete must be free of flaking, powder, drywall contamination, and grease.
5. All concrete subfloors must be at least 60 days old. The slab must be fully cured, and the slab must be comprised of a Portland-based mix with a minimum 3000 PSI of compressive strength. A minimum 6 mil poly film is recommended between concrete and ground.
6. Concrete subfloors made of Portland based material, if need repair, must be patched using a quality, water resistant, non-shrinking Portland cement patch. Use Gypsum to patch Gypcrete. Be sure to fill all holes, dips, joints, and depressions.
7. Ceramic Tile and Sheet Vinyl must be well-bonded to subfloor, in good condition, clean, and level. Do not sand existing vinyl floors as they may contain asbestos. Ceramic Tile grout joints need to be filled with a Portland based cement patch.
8. Concrete moisture emissions should not exceed 5 lbs. per 24 hrs. per 1,000 sf on calcium chloride test.

## **Radiant Heat:**

1. Only hydronic radiant heat systems are approved for use with Rigid Vinyl flooring. Electric, Passive, and Surface-Channeled Radiant Heat systems are not approved.
2. A minimum of 3/4" must be maintained between the vinyl flooring and the tubing.
3. All radiant heat systems should not allow the surface temperature of the flooring to ever exceed 80°F.
4. Temperature sensors must be integrated into the system as a fail-safe to prevent excessive heat.
5. Radiant Heat in Lightweight Concrete Thermal Mass:  
Two to three weeks prior to installation, the temperature of the radiant heat system needs to be 70° F. After the 3 weeks is up, set the radiant heat system temperature to 80° F for 2-3 days. During this time the structure should be well-ventilated to prevent moisture build up. If this is not possible due to bad weather, then a dehumidifier should be used to keep moisture from building up within the structure.  
NOTE: Prior to installation, the lightweight concrete moisture content must not exceed 1.5% as measure with a Tramax Moisture Encounter Meter.
6. Radiant Heat in a Wood Subfloor:  
The hydronic radiant heat system must include an aluminum transfer sheet to ensure even distribution of the heat. Aluminum tube hanging systems must cover the entire distance between the joists on the bottom of the subfloor. Two to three weeks prior to installation, the temperature of the radiant heat system needs to be 70° F. After the 3 weeks is up, set the radiant heat system temperature to 80° F for 2-3 days. During this time the structure should be well-ventilated to prevent moisture build up. If this is not possible due to bad weather, then a dehumidifier should be used to keep moisture from building up within the structure.

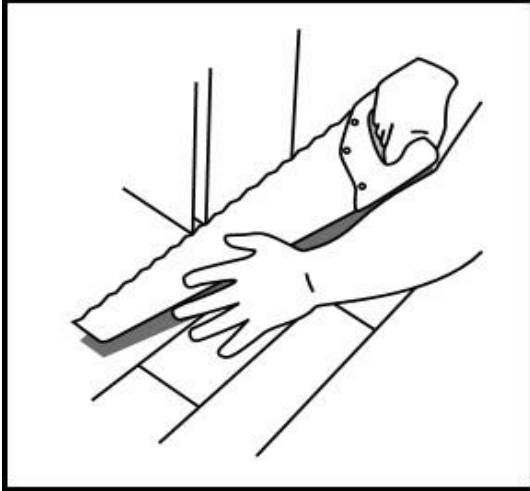
## **Starting the Installation:**

After careful completion of the pre-inspection procedures and subfloor preparation, installation of your luxury vinyl plank flooring can begin. Rigid Vinyl flooring products are designed to be installed only using the floating method. Also, a 6-8 mil poly film moisture barrier between the subfloor and the Rigid Vinyl Flooring is required for on, above and below grade concrete installations.

1. Prior to installation, measure the length and the width of the room. Divide size of the room by the width of the plank to determine number of rows. Keep in mind that the first row may have to be trimmed to avoid the row on the opposite side being significantly narrow than the starting row. Select a starter wall.

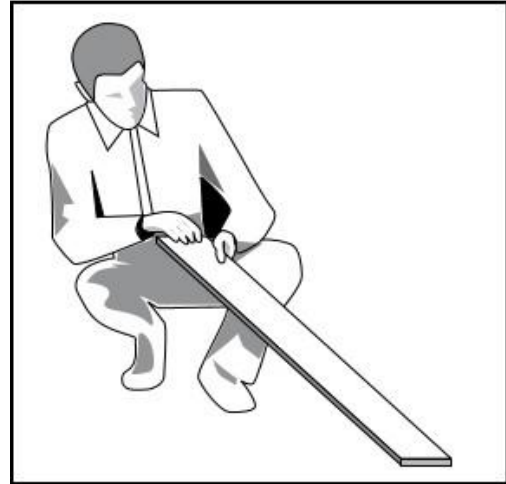
2. Make sure material is properly acclimated as noted in general guidelines.
3. We recommend leaving a ¼" expansion gap between the perimeter walls and any vertical object for a floor that does not exceed 50' in length or width. We also recommend T-Mold in doorways.
4. Always work from multiple boxes to get the best visual look possible.

## Installation Steps:



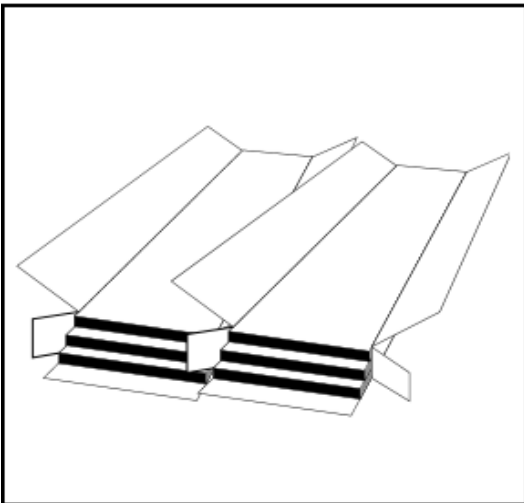
### 1. Under Cut All Door Jamb and Moldings:

Remove all shoe and base moldings to ensure adequate expansion space. Use scrap piece of flooring to establish height of cut. Remember to account for height of underlayment.



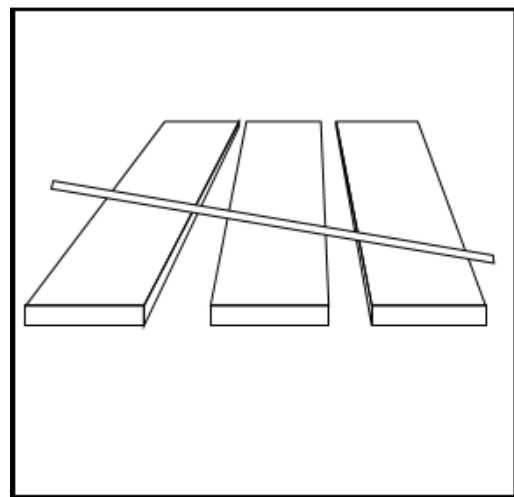
### 2. Visual Inspection of Planks

Inspect planks for any visual defects prior to installation. Verify that homeowner has seen product and has authorized installation of the flooring.



### 3. Open Multiple Boxes

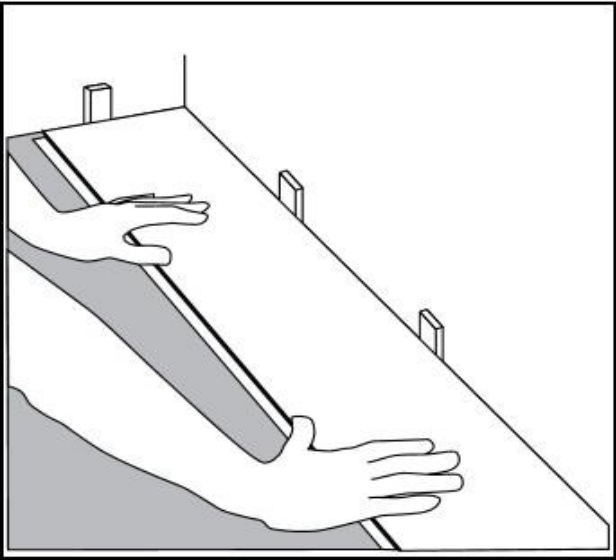
Always work from multiple boxes to blend the planks throughout the installation. This will allow best visual look of the floor.



### 4. Blend Planks to Moldings

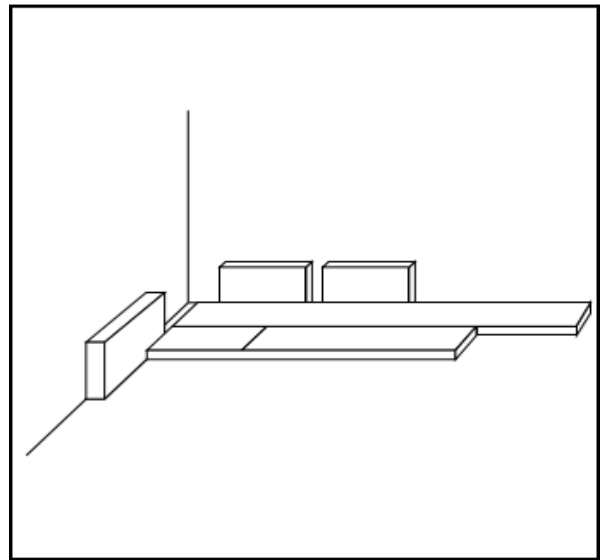
Before you begin installation, open multiple boxes and set aside the planks that blend best with the moldings.

## Installation Steps:



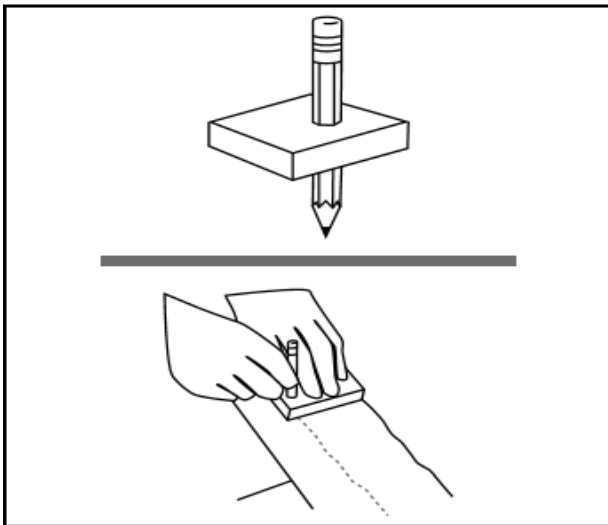
### 5. Select a Starter Wall

Select the longest wall in the room and work left to right, starting in the left-hand corner. For starting row, use adjustable spacers against side and end walls to maintain 1/4" minimum expansion space. Use spacers at both the side and the end of the rows. See #10.



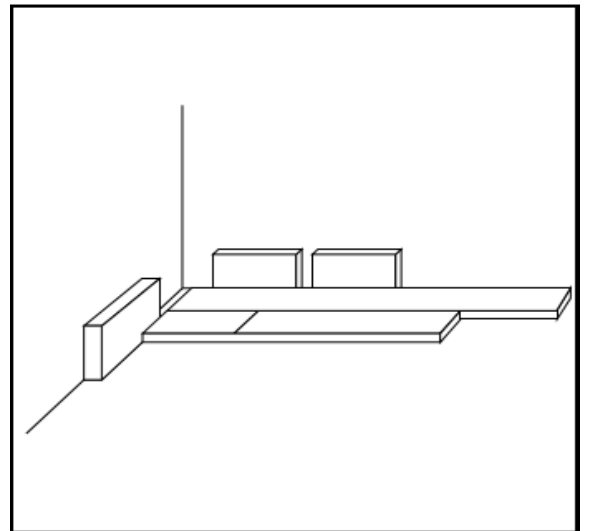
### 6. Starting Line

For starting row, cut blocks to use against side and end walls to maintain 1/4" expansion space. Use spacers at both side and end of rows. Use of adjustable spacers may be needed to keep a straight edge line.



### 7. Irregular and Out of Square Walls

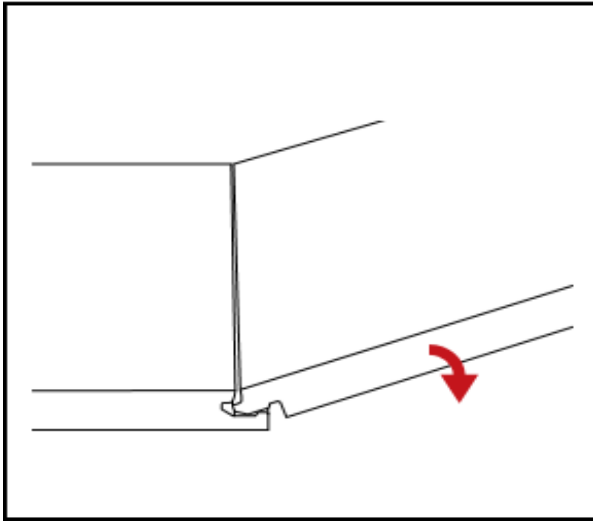
Scribe cut the 1<sup>st</sup> row to match variations in the wall. A scribe can be created by drilling a hole in a scrap piece of wood and inserting a pencil. The starting row can then be cut to compensate for an irregular wall or help to minimize the appearance of an out of square wall.



### 8. Expansion Space

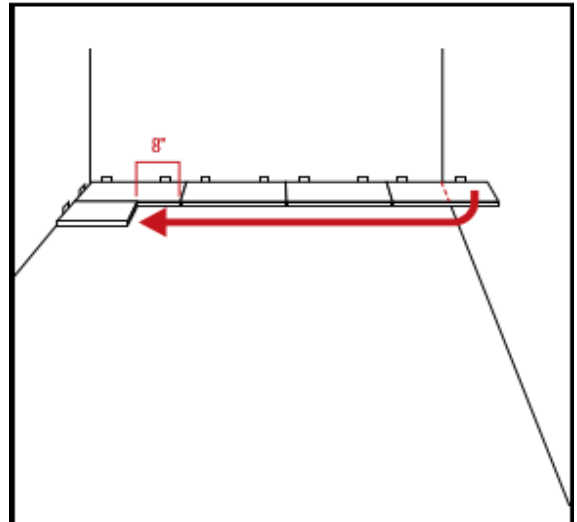
Standard expansion space should be at 1/4" and this will suffice for a floor that does not exceed 50 foot in span or width. Larger floors can be accommodated with an additional expansion space of 1/8" for each additional 10 feet up to 80 feet (width and length).

## Installation Steps:



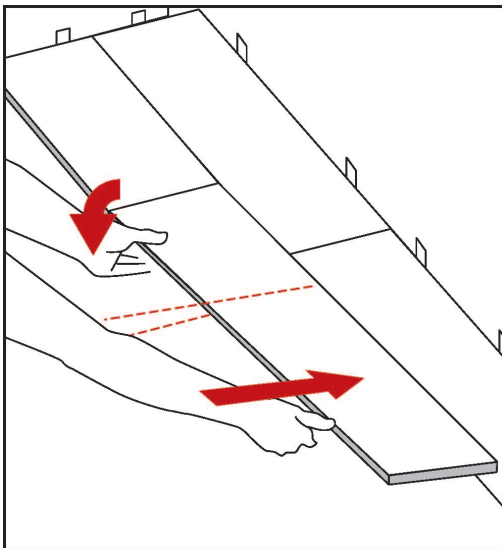
### 9. Lock in First Row End Joints

Insert short tongue end of plank into groove at an angle and drop into place. Continue the process for the remainder of first row.



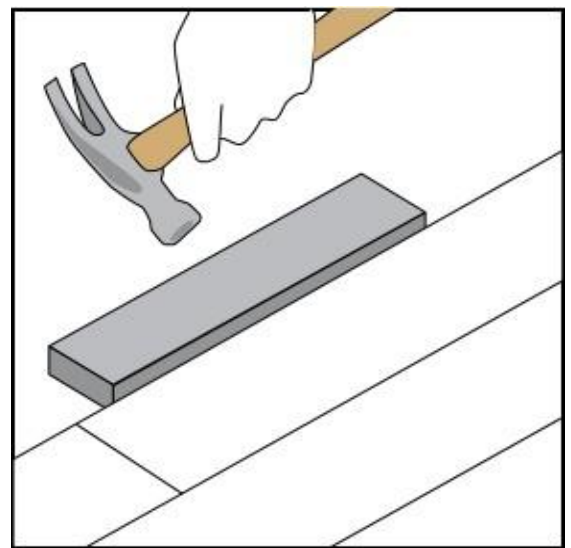
### 10. Starting New Row

Use end cut piece from first row to start the second row. End joint spacing must be no less than 8" apart from rows on either side. Repeat process throughout the floor. Watch carefully to avoid lining up too many of the end joints and setting an obvious pattern.



### 11. Placing Additional Planks

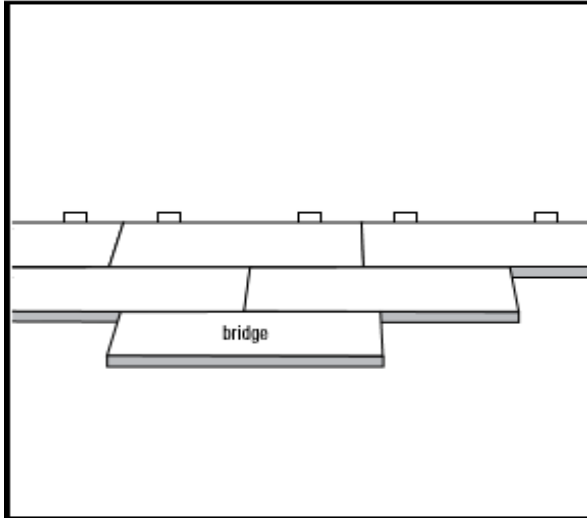
At a slight angle, insert tongue end into the groove end of the previous plank. Get as close to the side of the previous plank as possible. Also, at a slight angle, press the side tongue into the groove of the plank next to it. Press gently to engage the planks.



### 12. Fully Engage Side Lock

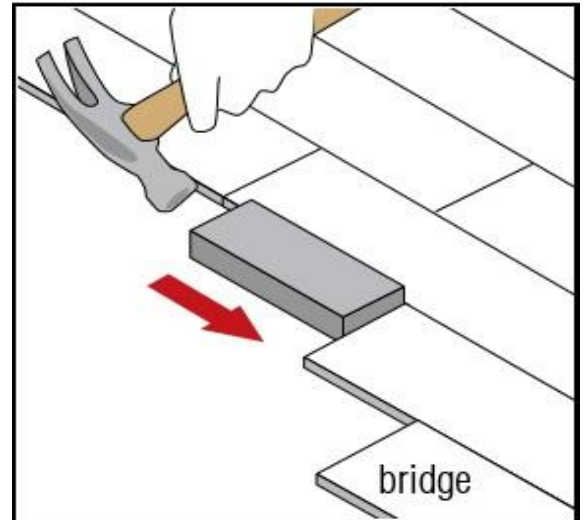
Use a tapping block and hammer, tap the block against the plank edge to fully engage the locking system. Failure to fully engage the locking system will cause the joints to open up later. Caution: Do NOT strike the edge of the plank of the locking system with the hammer.

## Installation Steps:



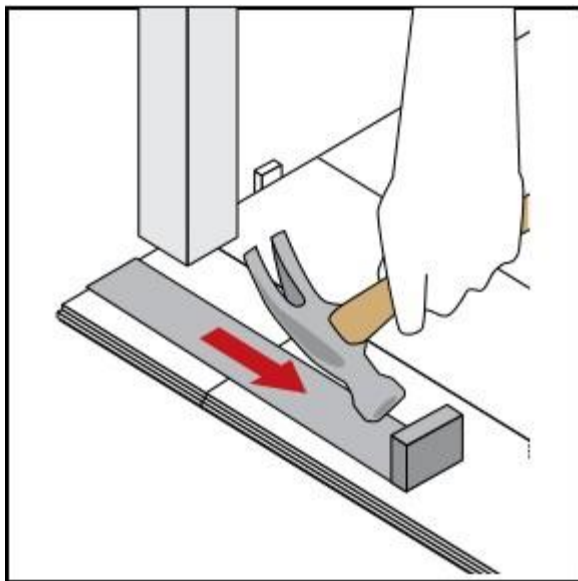
### 13. Bridge the End Joint

Using a cut piece approximately 12" to 14" long, form a temporary bridge next to the end of the plank just installed.



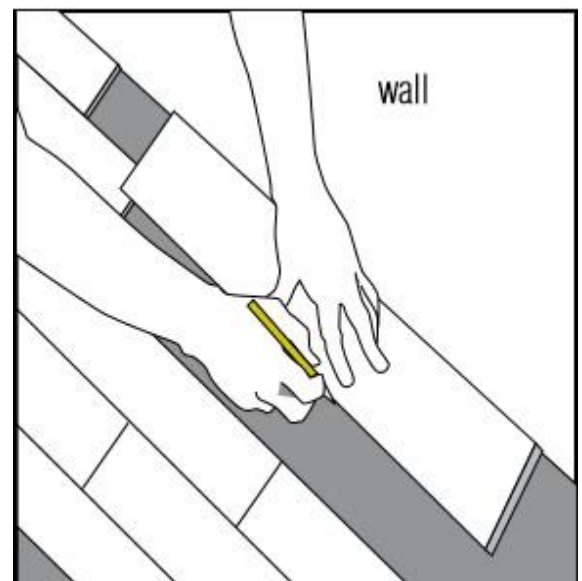
### 14. Fully Engage End Lock

Using a tapping block and hammer, tap the end of the plank edge with the block to ensure that the locking mechanism is fully engaged. Do NOT strike the edge of the plank or locking mechanism with the hammer. Damaged ends look bad and locking joint could be compromised.



### 15. Place and Secure Row End Planks

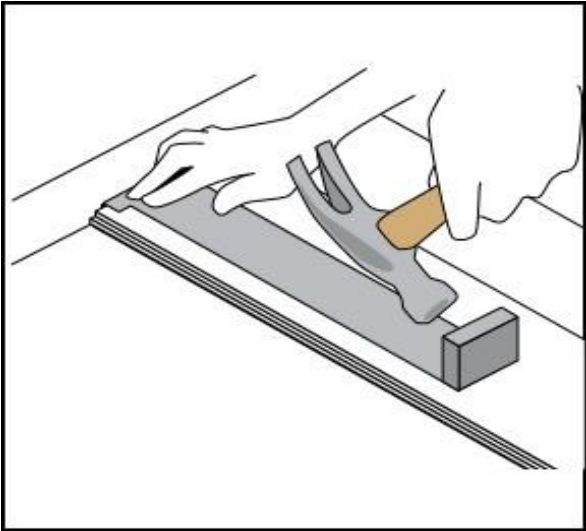
Ensure end joint at end of last plank of the row is completely engaged, using a pull tool.



### 16. Trim Last Row

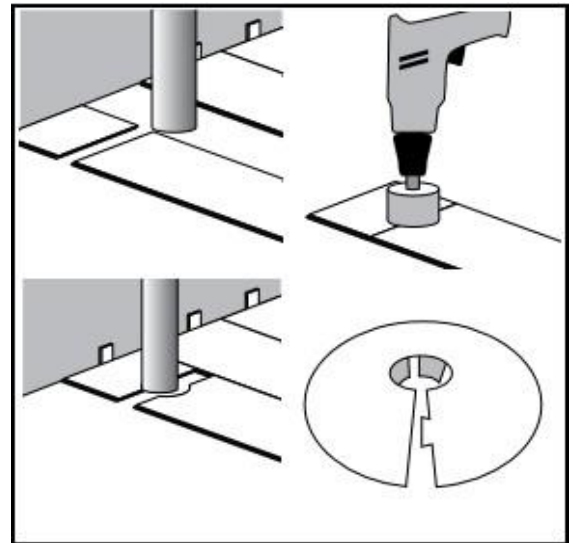
The last row of planks may need to be cut widthwise to achieve the correct width. The width of the last row must not be less than 2". This can be accomplished by measuring the room prior to installation and figuring how many rows were needed to complete the room.

## Installation Steps:



### 17. Secure Last Row

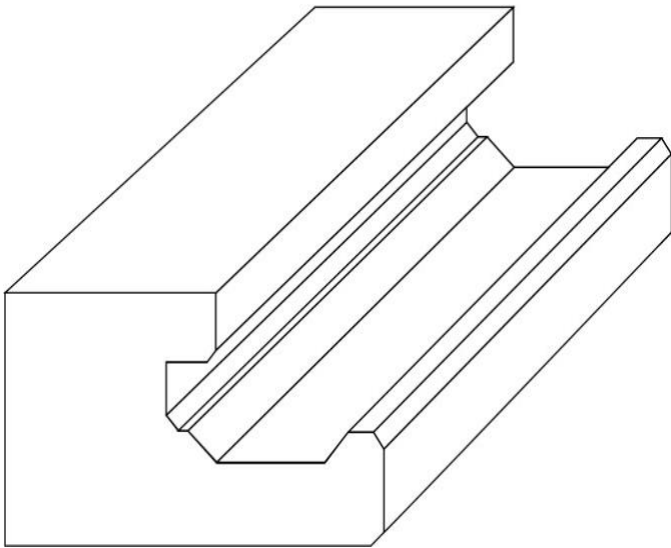
After engaging the side joints in the last row, slightly lift the edge of the plank. Using a pull tool, pull the plank completely into place. Follow up on the length of the plank a second time and tap to ensure the joint is completely, locked.



### 18. Installing Around Pipes

If the room has pipes or radiators, drill a hole large enough to fit around them with space for expansion.

## Installation Tools and Tips:



- Tape Measure
- Pencil
- 1/4 wedge spacers
- Hammer
- Chop Saw or Vinyl Cutter
- Lip-Over Tapping Block
- Chalk Line
- Pull Tool
- 3M Scotch Blue Tape for delicate surfaces

### Lip-Over Tapping Block

Do not strike the edge of plank with a hammer. Place lip-over tapping block against the top edge of the plank and tap planks together. Do not directly impact the locking mechanism (bottom of plank edge) with a hammer or block.