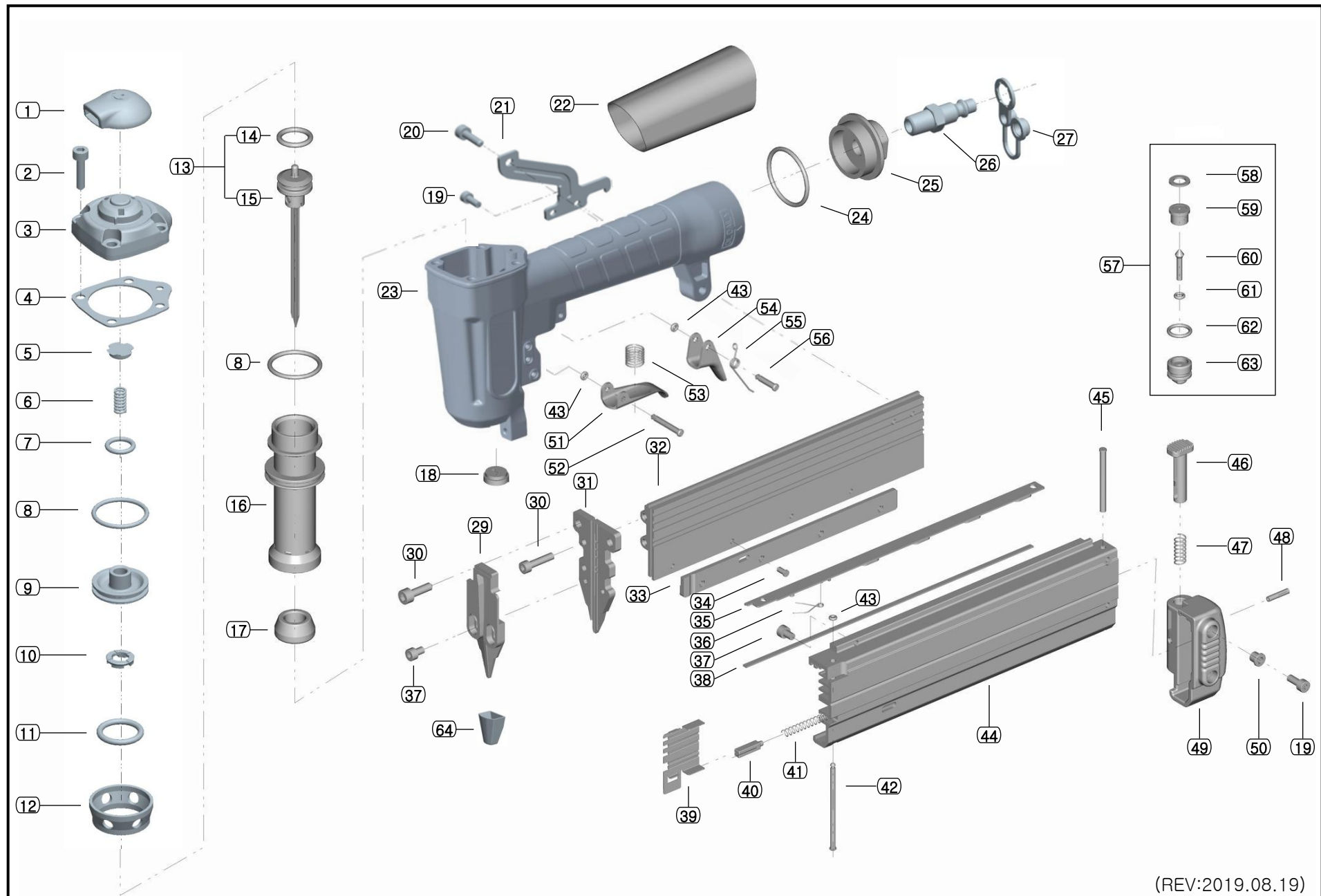


# EXPLODED DIAGRAM OF 640S



# 640S(23GA, 1-9/16" MICRO PINNER)

NO.	DESCRIPTION	PART NO.	QTY	NO.	DESCRIPTION	PART NO.	QTY	NO.	DESCRIPTION	PART NO.	QTY
1	EXHAUST COVER	630-C-103	1	22	GRIB	1013-B-004	1	44	MAGAZINE B	640S-M-002	1
2	BOLT (M5X20L)	Z-05-200	4	23	BODY	640-B-101	1	45	PIN GUIDE PIN 2	640-M-013	1
3	CAP	630-C-101	1	24	END CAP O-RING	422-H-004	1	46	CLICK LEVER	630-L-002	1
4	GASKET	630-C-002	1	25	END CAP	630-B-002	1	47	CLICK LEVER SPRING	630-L-004	1
5	HEAD VALVE SEAL A	630-H-007	1	26	AIR PLUG	9032-B-005	1	48	ROLL PIN(Φ3X15)	R-30-150	1
6	CAP SPRING	630-H-006	1	27	PLUG CAP	9032-B-006	1	49	MAGAZINE END CAP	640-L-001	1
7	CAP O-RING	630-H-004	1	29	GUIDE COVER	630-G-102	1	50	BUSHING	CT64-L-007	2
8	HEAD VALVE O-RING	630-H-003	2	30	BOLT(M4X16L)	ZN-04-160	4	51	TRIGGER	630-T-001	1
9	HEAD VALVE	1013-H-201	1	31	DRIVE GUIDE	640-G-001	1	52	TRIGGER PIN	422-T-008	1
10	HEAD VALVE STOPPER	630-H-005	1	32	MAGAZINE A	640S-M-001	1	53	TRIGGER SPRING	1013-T-006	1
11	HEAD VALVE SEAL O-RING	630-H-009	1	33	RAILING PLATE	640S-M-003	1	54	SAFETY LEVER	F30-S-007	1
12	COLLAR	630-A-004	1	34	D/H BOLT(M3x8L)	ZDN-03-080	4	55	SAFETY LEVER SPRING	F30-S-008	1
13	PISTON SET	630-P-P001	1	35	PIN GUIDE	640-M-005	5	56	SAFETY LEVER PIN	F30-S-009	1
14	PISTON O-RING	630-P-003	1	36	PIN GUIDE SPRING	630-M-009	5	57	VALVE SET	422-V-P001	1
15	PISTON ASSEMBLY	630-P-P002	1	37	BOLT(M4X6L)	Z-04-060	3	58	VALVE SEAL	422-V-013	1
16	CYLINDER	640-A-001	1	38	STEEL PLATE	640-M-008	1	59	VALVE PLUNGER	1013-V-007	1
17	BUMPER	630-A-003	1	39	PUSHER	640-M-009	1	60	PLUNGER	1013-V-010	1
18	NOZZLE	630-B-007	1	40	PUSHER HOLDER	630-M-013	2	61	PLUNGER O-RING	1013-V-008	1
19	BOLT(M4X10L)	Z-04-100	4	41	PUSHER SPRING	640-M-007	2	62	PLUNGER CAP O-RING	1013-V-011	1
20	BOLT(M5X12L)	Z-05-120	1	42	PIN GUIDE PIN 1	640-M-010	1	63	PLUNGER CAP	1013-V-012	1
21	BRACKET	640-M-006	1	43	PIN STOPPER O-RING	CT64-M-008	3	64	NO MAR PAD	630-S-013	2

\*\* All the parts of pinner can be changed for improvement and re-design without announcement.

(REV. : 2019/08/19)