

# Schluter®-VINPRO

Modern Profiles Designed for Resilient Surface Coverings



PROFILE OF INNOVATION

Finding a complementary transition for resilient flooring is now simplified with the Schluter®-VINPRO profiles series. Providing finishing, transition, and edge protection for resilient floor and wall coverings, VINPRO profiles increase design flexibility with long-lasting results. The VINPRO series combines several durable finish options in complementing colors, and features a modern, sleek look with a minimalist reveal that is ideal for enhancing and protecting resilient coverings.

- Durable edge protection and finishing profiles for resilient coverings (e.g.: LVT, LVP) used on floors, walls, and stairs
- Unobtrusive design which easily complements any resilient covering
- Accommodates various covering thicknesses from 1/8" to 1/4" (2.5 mm to 6 mm)
- Available in 3 brushed anodized aluminum finishes: bronze, nickel, and chrome
- Features a tapered anchoring leg with even hole spacing along the length of the profile for fastening
- Unique punch-out design allows the head of the fastener to be installed flush with the anchoring legs surface



## Schluter®-VINPRO-S

Provides edge protection where the resilient covering is bordered by carpet, floor coverings of similar heights, or as a finishing edge to wall skirting applications.



## Schluter®-VINPRO-T

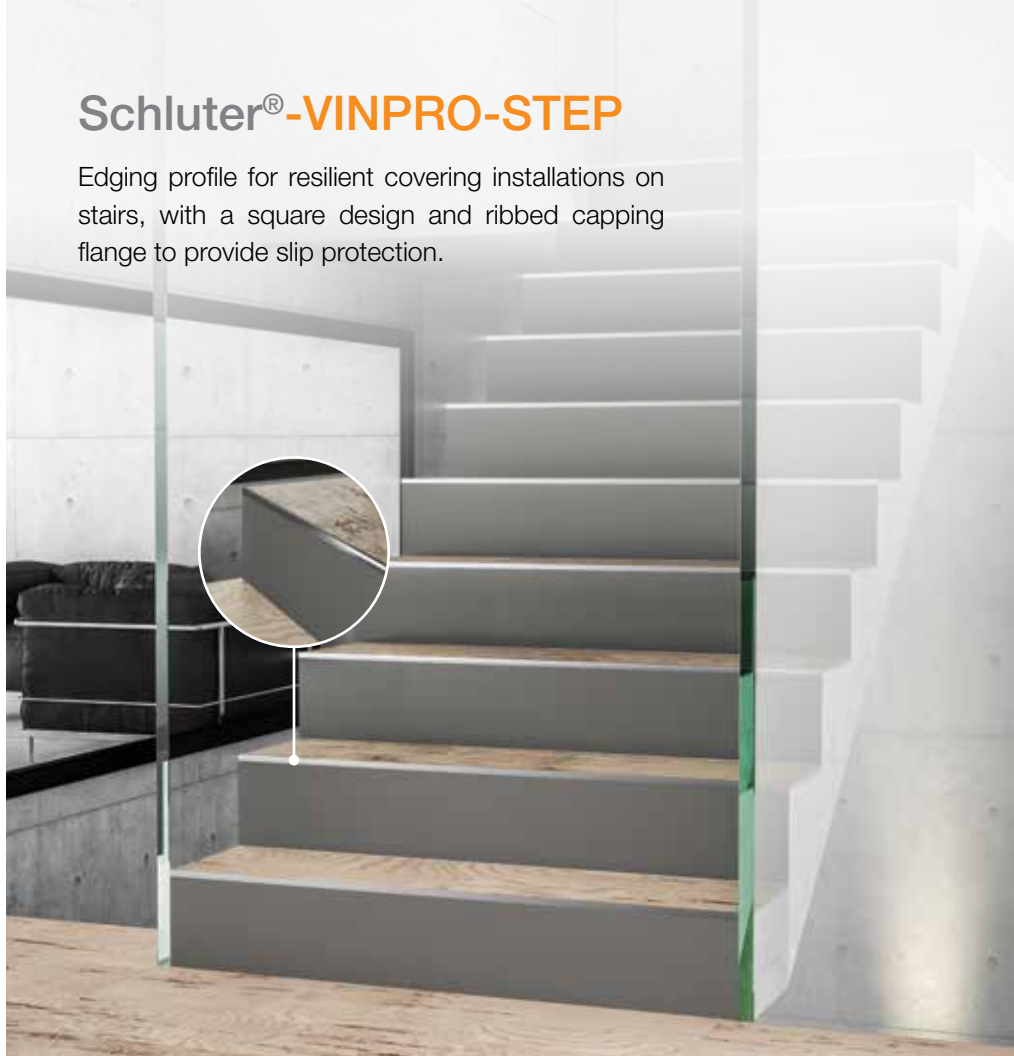
Designed to provide transitions between same-height resilient floor coverings.



## Schluter®-VINPRO-STEP

Edging profile for resilient covering installations on stairs, with a square design and ribbed capping flange to provide slip protection.

Stair



Stair



Wall

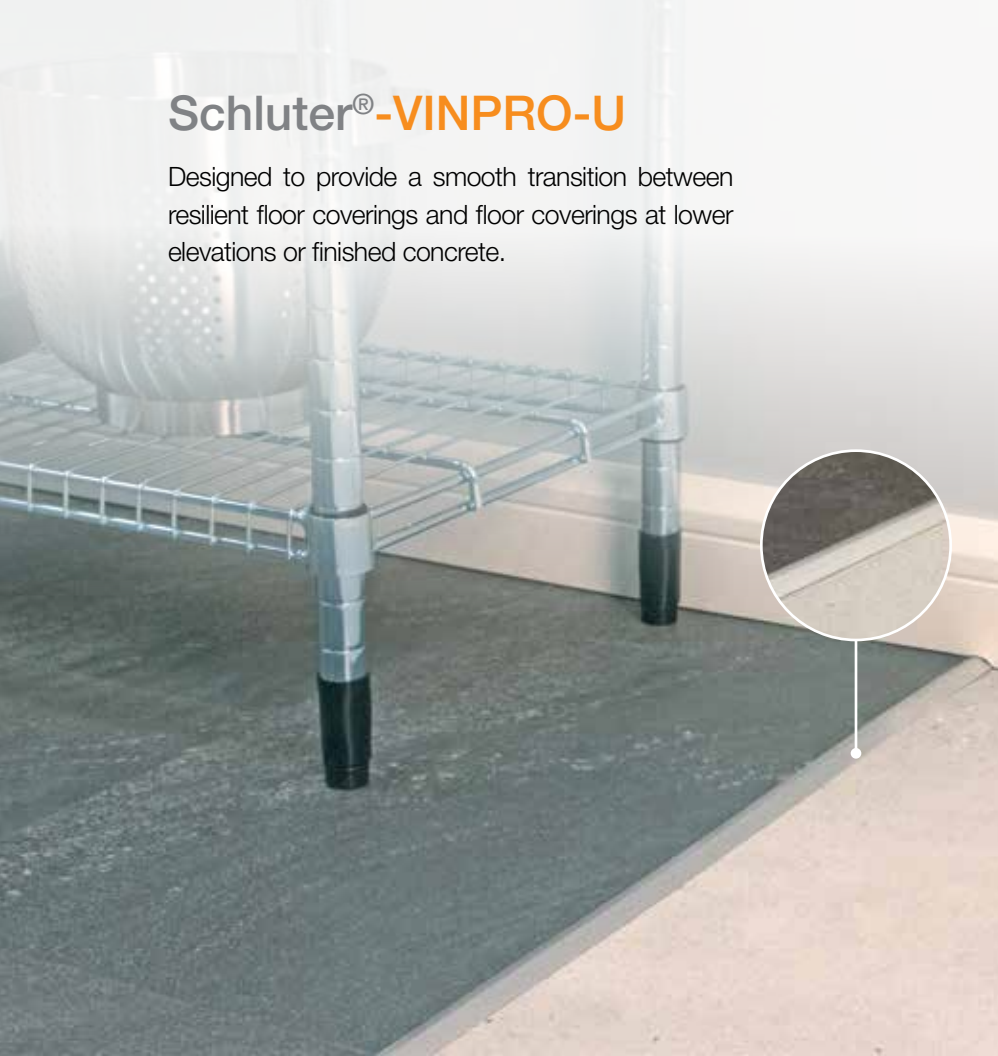


## Schluter®-VINPRO-RO

Edging profile with rounded reveal for resilient covering installations on stairs and outside corners of resilient surfaces.

# Schluter®-VINPRO-U

Designed to provide a smooth transition between resilient floor coverings and floor coverings at lower elevations or finished concrete.





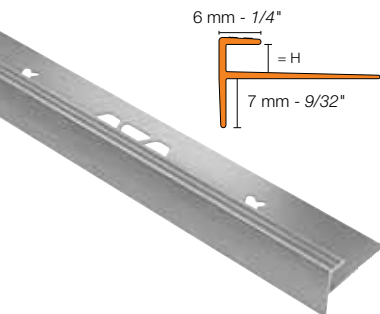
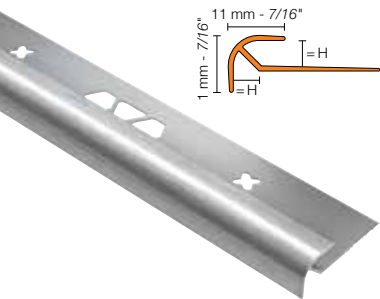
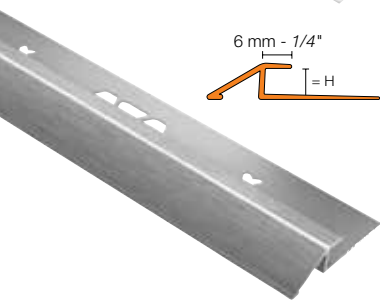
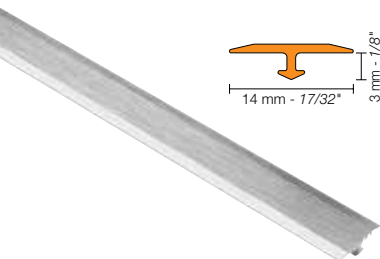
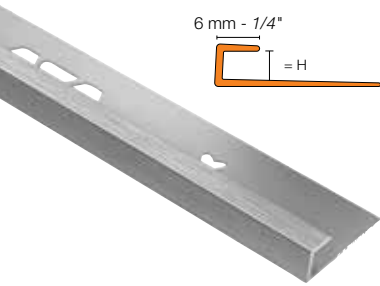
3

available  
FINISHES

ACGB  
Brushed chrome

ATGB  
Brushed nickel

ABGB  
Brushed antique  
bronze



Schluter®-VINPRO-S			
Length = 2.5 m - 8' 2-1/2"	Brushed chrome anod. alu. (ACGB)	Brushed nickel anod. alu. (ATGB)	Brushed antique bronze anod. alu. (ABGB)
H = mm - in.	Item No.	Item No.	Item No.
3 - 1/8	VPS 30 ACGB	VPS 30 ATGB	VPS 30 ABGB
4 - 5/32	VPS 40 ACGB	VPS 40 ATGB	VPS 40 ABGB
5 - 3/16	VPS 50 ACGB	VPS 50 ATGB	VPS 50 ABGB
6 - 1/4	VPS 60 ACGB	VPS 60 ATGB	VPS 60 ABGB

Schluter®-VINPRO-T			
Length = 2.5 m - 8' 2-1/2"	Brushed chrome anod. alu. (ACGB)	Brushed nickel anod. alu. (ATGB)	Brushed antique bronze anod. alu. (ABGB)
W = mm - in.	Item No.	Item No.	Item No.
14 - 17/32	VPT 3/14 ACGB	VPT 3/14 ATGB	VPT 3/14 ABGB

Schluter®-VINPRO-U			
Length = 2.5 m - 8' 2-1/2"	Brushed chrome anod. alu. (ACGB)	Brushed nickel anod. alu. (ATGB)	Brushed antique bronze anod. alu. (ABGB)
H = mm - in.	Item No.	Item No.	Item No.
*3 - 1/8	VPU 30 ACGB	VPU 30 ATGB	VPU 30 ABGB
*4 - 5/32	VPU 40 ACGB	VPU 40 ATGB	VPU 40 ABGB
*5 - 3/16	VPU 50 ACGB	VPU 50 ATGB	VPU 50 ABGB
6 - 1/4	VPU 60 ACGB	VPU 60 ATGB	VPU 60 ABGB

\* ADA-Compliant

Schluter®-VINPRO-RO			
Length = 2.5 m - 8' 2-1/2"	Brushed chrome anod. alu. (ACGB)	Brushed nickel anod. alu. (ATGB)	Brushed antique bronze anod. alu. (ABGB)
H = mm - in.	Item No.	Item No.	Item No.
3 - 1/8	VPRO 30 ACGB	VPRO 30 ATGB	VPRO 30 ABGB
4 - 5/32	VPRO 40 ACGB	VPRO 40 ATGB	VPRO 40 ABGB
5 - 3/16	VPRO 50 ACGB	VPRO 50 ATGB	VPRO 50 ABGB
6 - 1/4	VPRO 60 ACGB	VPRO 60 ATGB	VPRO 60 ABGB

Schluter®-VINPRO-STEP			
Length = 2.5 m - 8' 2-1/2"	Brushed chrome anod. alu. (ACGB)	Brushed nickel anod. alu. (ATGB)	Brushed antique bronze anod. alu. (ABGB)
H = mm - in.	Item No.	Item No.	Item No.
3 - 1/8	VPST 30 ACGB	VPST 30 ATGB	VPST 30 ABGB
4 - 5/32	VPST 40 ACGB	VPST 40 ATGB	VPST 40 ABGB
5 - 3/16	VPST 50 ACGB	VPST 50 ATGB	VPST 50 ABGB
6 - 1/4	VPST 60 ACGB	VPST 60 ATGB	VPST 60 ABGB



For complete product information including CAD drawings and specification details, please visit our website: [www.schluter.com](http://www.schluter.com)

For sample requests and ordering information please contact our Customer Support specialists at **US: 888-472-4588 or CA: 800-667-8746**

VINPRO is a trademark of Schlüter-Systems, KG, or its subsidiaries or affiliates.

© 2019 Schlüter-Systems L.P.

12/2019

556387



**Schluter Systems L.P.** • 194 Pleasant Ridge Road, Plattsburgh, NY 12901-5841 • Tel.: 800-472-4588 • Fax: 800-477-9783  
**Schluter Systems (Canada) Inc.** • 21100 chemin Ste-Marie, Ste-Anne-de-Bellevue, QC H9X 3Y8 • Tel.: 800-667-8746 • Fax: 877-667-2410

[www.schluter.com](http://www.schluter.com)