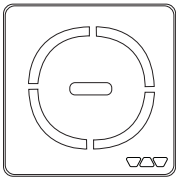
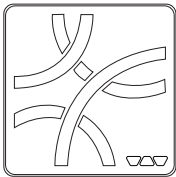
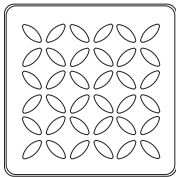




# KERDI-DRAIN Grates

**KERDI-DRAIN** grates are to be used with drain flanges Schluter®-KERDI-DRAIN, KERDI-DRAIN-H, KERDI-DRAIN-A and KERDI-DRAIN-F. The grates are fully adjustable to accommodate a wide range of tile thicknesses: 1/4" to 1-1/4" (6 to 32 mm). The flange and grate combination is part of an integrated family that creates a bonded waterproof sealed system. KERDI-DRAIN flanges sold separately.\*

## Schluter®-KERDI-DRAIN Grates

Schluter®-KERDI-DRAIN-STYLE						4" (100 mm)
		Select		Select		Select
	Pure	Select	Curve	Select	Floral	Select
Brushed stainless steel (EB)	KDIF4 GRK EB D8		KDIF4 GRK EB D6		KDIF4 GRK EB D5	
Brushed nickel (EBT)	KDIF4 GRK EBT D8		KDIF4 GRK EBT D6		KDIF4 GRK EBT D5	
Brushed rose gold (EBRG)	KDIF4 GRK EBRG D8		KDIF4 GRK EBRG D6		KDIF4 GRK EBRG D5	
Brushed vintage gold (EBVG)	KDIF4 GRK EBVG D8		KDIF4 GRK EBVG D6		KDIF4 GRK EBVG D5	
Brushed classic gold (EBCG)	KDIF4 GRK EBCG D8		KDIF4 GRK EBCG D6		KDIF4 GRK EBCG D5	
Matte white (MBW)	KDIF4 GRK MBW D8		KDIF4 GRK MBW D6		KDIF4 GRK MBW D5	
Cream (TSC)	KDIF4 GRK TSC D8		KDIF4 GRK TSC D6		KDIF4 GRK TSC D5	
Greige (TSBG)	KDIF4 GRK TSBG D8		KDIF4 GRK TSBG D6		KDIF4 GRK TSBG D5	
Stone grey (TSSG)	KDIF4 GRK TSSG D8		KDIF4 GRK TSSG D6		KDIF4 GRK TSSG D5	
Bronze (TSOB)	KDIF4 GRK TSOB D8		KDIF4 GRK TSOB D6		KDIF4 GRK TSOB D5	
Matte black (MGS)	KDIF4 GRK MGS D8		KDIF4 GRK MGS D6		KDIF4 GRK MGS D5	

U.S. Patent Nos. D831,795, D831,171, D831,172

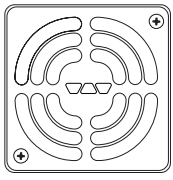
CLASSIC - Stainless Steel			4" (100 mm)
	Grate Finish	Item No.	Select
	Stainless steel (E)	KD4 GRK E	
	Chrome (EP)	KD4 GRK EP	
	Oil-rubbed bronze (EOB)	KD4 GRK EOB	
	Nickel (ET)	KD4 GRK ET	
	Rose gold (ERG)	KD4 GRK ERG	
	Vintage gold (EVG)	KD4 GRK EVG	
	Classic gold (ECG)	KD4 GRK ECG	

CLASSIC - Stainless Steel			6" (150 mm)
	Grate Finish	Item No.	Select
	Stainless steel (E)	KD6 GRK E	

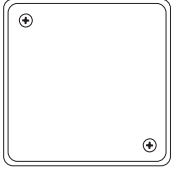
**CLASSIC - Round** **6" (150 mm)**

	Grate Finish	Item No.	Select
	Stainless steel (E)	KD6 GRK RE	




**CONTOUR - Anodized Aluminum** **4" (100 mm)**

	Grate Finish	Item No.	Select
	Brushed nickel (ATGB)	KD4 GRK ATGB	
	Brushed copper (AKGB)	KD4 GRK AKGB	
	Brushed brass (AMGB)	KD4 GRK AMGB	

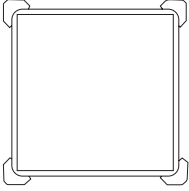
**Square Clean Out Cover** **6" (150 mm)**

	Grate Finish	Item No.	Select
	Stainless steel (E)	KD-GR6C-E	

**Contents**

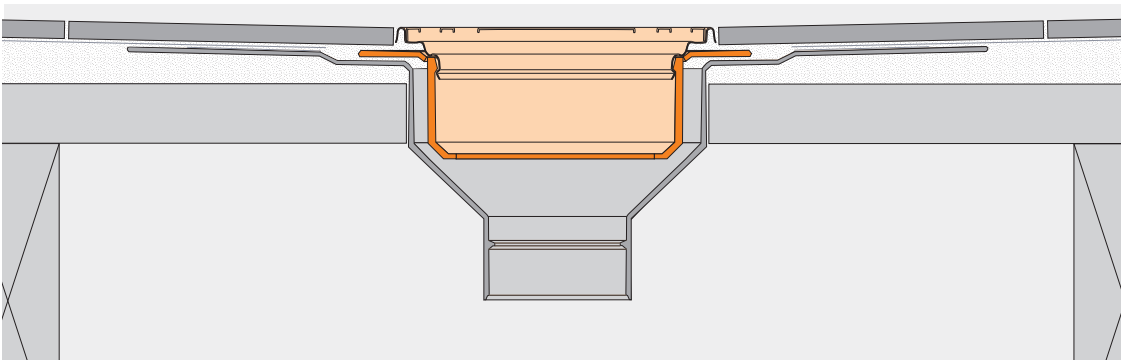
-  Grate and frame
-  Height adjustment collar
-  Lateral adjustment ring

**TILE** **4" (100 mm)**

	Grate Finish	Item No.	Select
 Patent pending	Tileable	KD4 GRK ECS	

**Contents**

-  Tileable covering support
-  Spacer
-  Lateral adjustment ring



**Listings and Certifications**

Various configurations of the KERDI-DRAIN flanges and grates are listed by ICC-ES (Report No. PMG-1204), UPC®, and CSA. See the Schluter Illustrated Price List for the Schluter®-KERDI-DRAIN – Listings and Certifications Table for more information.

See **Shower System technical data sheet** for information on Schluter®-KERDI-DRAIN, Schluter®-KERDI-DRAIN-H, other Schluter®-Shower System components. See **Schluter®-Shower System Installation Handbook** for installation instructions and warranty criteria.

\*See KERDI-DRAIN and KERDI-DRAIN-H Specification sheets for drain flange options.

For a complete offering of materials and SKUs, please visit [www.schluter.com](http://www.schluter.com). This specification sheet is subject to change without notice. Please visit [www.schluter.com](http://www.schluter.com) for the latest version.