

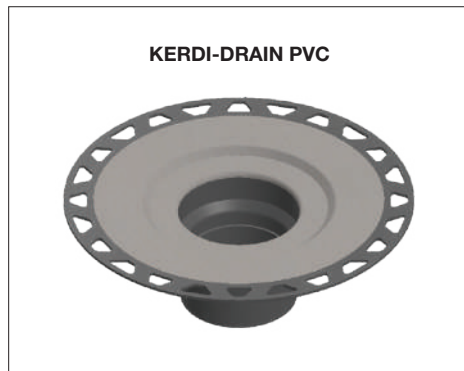


KERDI-DRAIN

Drain Body: ABS, PVC, Stainless Steel - **ICC-ES PMG-1204**

KERDI-DRAIN flange in ABS or PVC or stainless steel, part of the Schluter®-Shower System, features an integrated bonding flange and provides a through-the-floor/vertical installation to the drain pipe. KERDI-DRAIN in ABS or PVC is available with a 2" (50 mm) or 3" (75 mm) outlet. KERDI-DRAIN in stainless steel is available with a 2" (50 mm) or 3" (75 mm) no-hub outlet or 2" (50 mm) threaded outlet. KERDI-DRAIN is part of an integrated family of products that creates a bonded waterproof sealed system. *KERDI-DRAIN grate assembly sold separately.

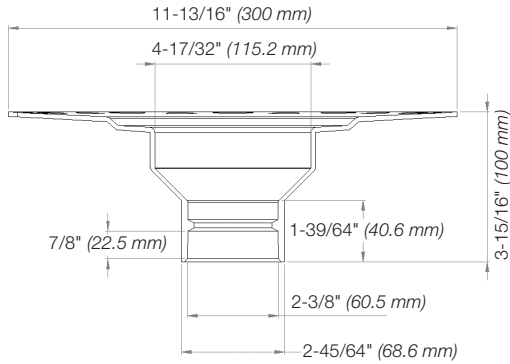
Schluter®-KERDI-DRAIN					
Material	Size	Connection Type	Item No.	Seals and Corners Included	Select
ABS	2" (50 mm)	Solvent weld	KD2 FLK ABS	Yes	
ABS	3" (75 mm)	Solvent weld	KD3 FLK ABS	Yes	
ABS	2" (50 mm)	Solvent weld	KD2/ABS/FL	No	
ABS	3" (75 mm)	Solvent weld	KD3/ABS/FL	No	
PVC	2" (50 mm)	Solvent weld	KD2 FLK PVC	Yes	
PVC	3" (75 mm)	Solvent weld	KD3 FLK PVC	Yes	
PVC	2" (50 mm)	Solvent weld	KD2/PVC/FL	No	
PVC	3" (75 mm)	Solvent weld	KD3/PVC/FL	No	
Stainless steel	2" (50 mm)	No-hub	KD2 FLK E	Yes	
Stainless steel	2" (50 mm)	Threaded	KD2 FLK ETH	Yes	
Stainless steel	3" (75 mm)	No-hub	KD3 FLK E	Yes	
Stainless steel	2" (50 mm)	No-hub	KD2/E/EL	No	
Stainless steel	2" (50 mm)	Threaded	KD2/ETH/FL	No	
Stainless steel	3" (75 mm)	No-hub	KD3/E/FL	No	



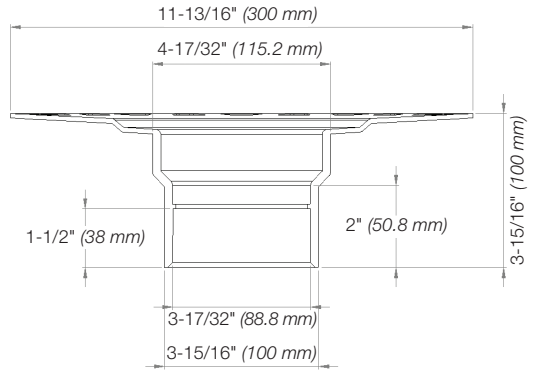
Installation Note:

Do not exceed maximum core hole size as required for the specified KERDI-DRAIN. Locate and cut or core a hole in the substrate for the drain outlet and coupling to the waste line using the template provided. Limit the diameter of the hole to 5" (125 mm) maximum to ensure proper support for the tile assembly.

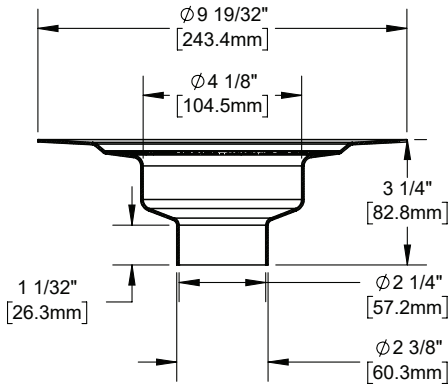
**2" KERDI-DRAIN
ABS/PVC**



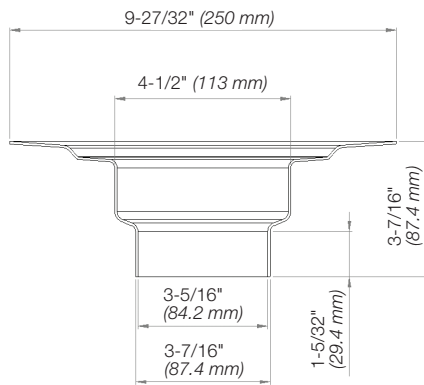
**3" KERDI-DRAIN
ABS/PVC**



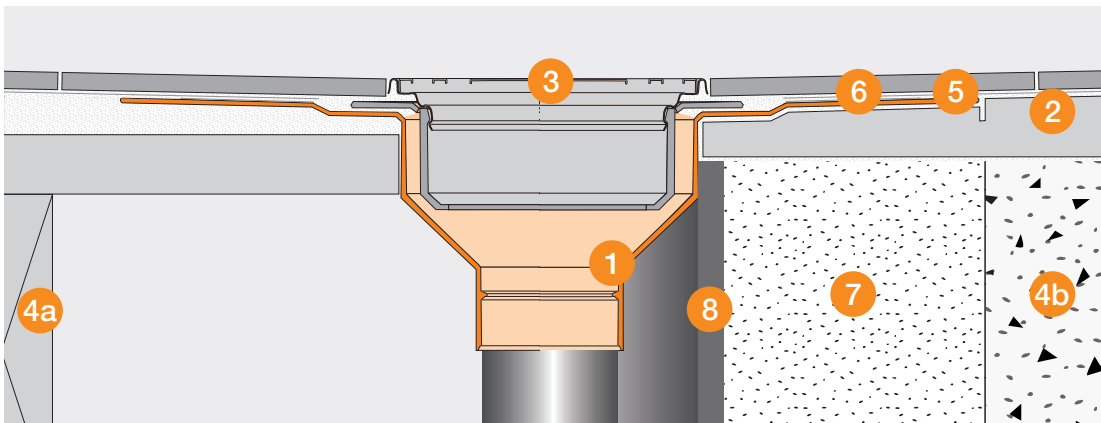
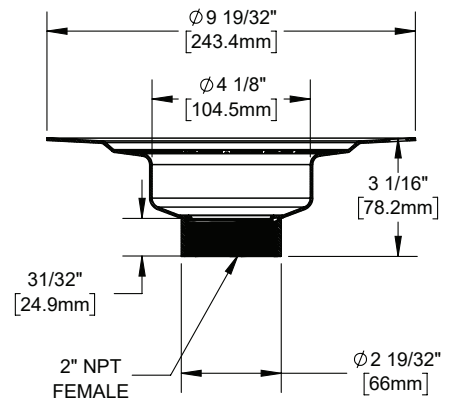
**2" KERDI-DRAIN
Stainless Steel**



**3" KERDI-DRAIN
Stainless Steel**



**2" KERDI-DRAIN
Stainless Steel - Threaded**



- 1 Schluter®-KERDI-DRAIN flange
- 2 Schluter®-KERDI-DRAIN-T/-TS/-TT shower tray (shown) or mortar bed
- 3 Schluter®-KERDI-DRAIN grate assembly (sold separately)
- 4 Subfloor
a) Wood
b) Concrete
- 5 Schluter ALL-SET® thin-set mortar
- 6 Schluter®-KERDI membrane collar
- 7 Mortar bed or concrete
- 8 Pipe coupling or similar

Listings and Certifications

Schluter®-KERDI-DRAIN is in compliance with the following code(s):

- 2018 International Residential Code® (IRC), International Plumbing Code® (IPC), Uniform Plumbing Code® (UPC), National Standard Plumbing Code® (NSPC)
- 2016 California Plumbing Code (CPC)
- 2017 City of Los Angeles Plumbing Code
- 2017 and 2007 Code of Massachusetts Regulation 248 CMR 10.00: Uniform State Plumbing Code
- 2011 Uniform Plumbing Code – India™ (UPC-I)
- 2015 National Plumbing Code of Canada (NPC)

Schluter®-KERDI-DRAIN is in compliance with the following standard(s):

- ASME A112.18.2-2015/CSA V125.2-15

Certified by CSA to meet CSA Standard B79

UPC® listed to IAPMO IGC 195-2013a Shower Drains with Integrated Bonding Flanges

ANSI A118.10-2014 Load Bearing Bonded Waterproofing Membranes for Thin-Set Ceramic Tile and Dimensional Stone Installations

ICC-ES (Report No. ESR-2467 and PMG-1204)

Los Angeles Research Report

Note: Various configurations of the KERDI-DRAIN flanges and grates are listed by ICC-ES (Report No. PMG-1204), UPC®, and CSA. See the Schluter Illustrated Price List for the Schluter®-KERDI-DRAIN – Listings and Certifications Table for more information.

See **Shower System technical data sheet** for information on drain grates, shower trays, and other Schluter®-Shower System components. See **Schluter®-Shower System Installation Handbook** for installation instructions and warranty criteria.

*See KERDI-DRAIN Grates Specification Sheet for drain grate options.

For a complete offering of materials and SKUs, please visit www.schluter.com. This specification sheet is subject to change without notice. Please visit www.schluter.com for the latest version.