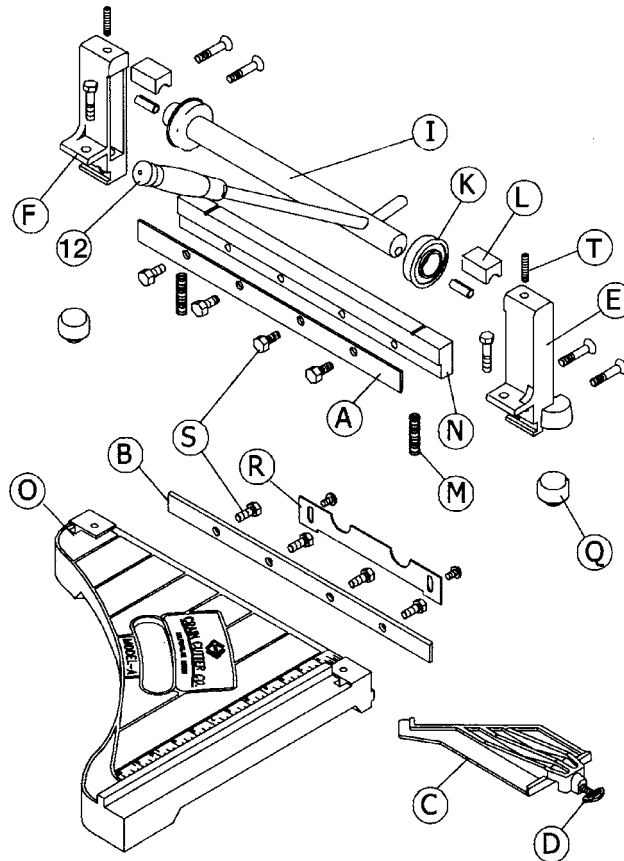


No. 001 Model "A" Tile Cutter



Gray "as cast" base / no paint

NO. 001 MODEL "A" TILE CUTTER

Order No.	Description
1001-A	Top Blade
1001-B	Bottom Blade
1001-C	Tile Guide w/Wing Screw
1001-D	Tile Guide Wing Screw Only
1001-E	Right Hand Standard
1001-F	Left Hand Standard
1001-I	Crankshaft, Handle & Grip
1001-K	Crankshaft Ball Bearing
1001-L	Inner Cam Bearing
1001-M	Return Spring
1001-N	Blade Carrier
1001-O	Base
1001-Q	Ball Caster Only
1001-R	Floor Guide
1001-S	Blade Screw Set (8)
1001-T	Blade Height Adj. Screws w/Hex Wrench
1001-12	Handle Grip Only