

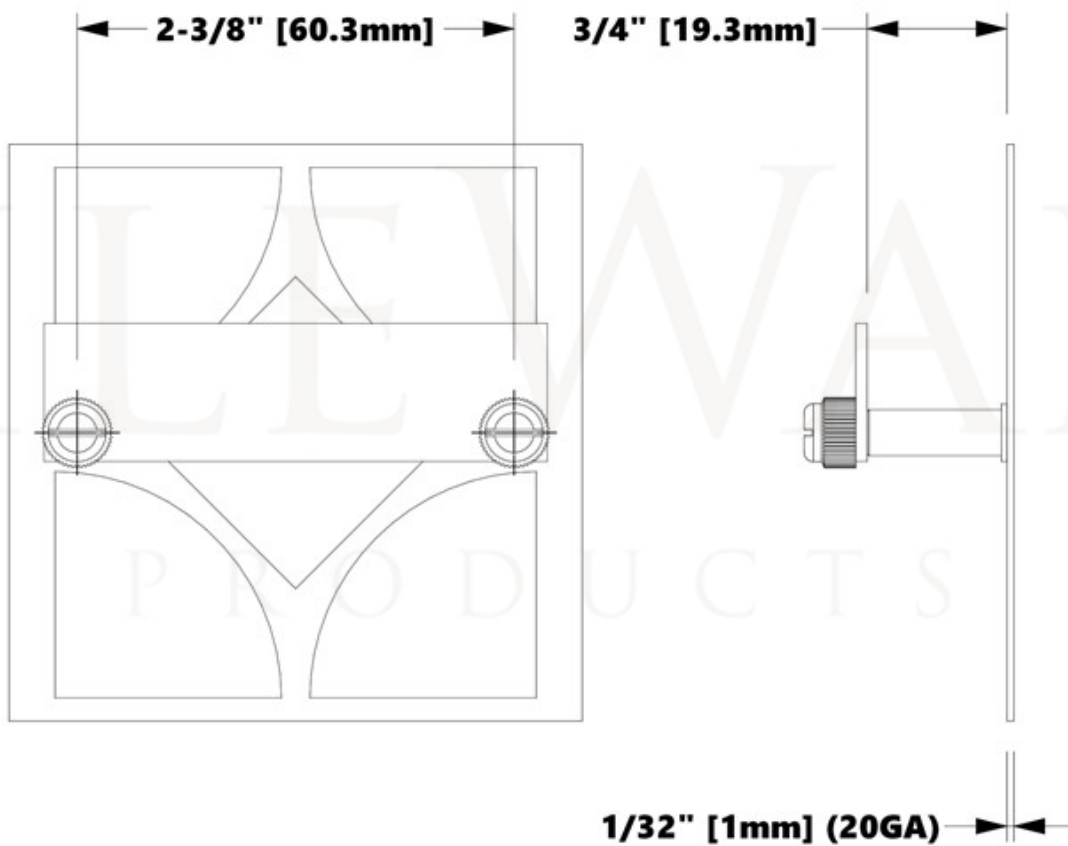


Replacement Part | Specification

Model (SKU)

PT100-504

PermaTile™ Series Rough-In
Square Tile Wall Anchor



Product Dimensions (units are in both inches and mm)

Weight

0.093 lb / 0.042 kg

296



p: 828-322-9273 | f: 828-304-1076
tilewareproducts.com | info@tilewareproducts.com

page 2 of 2
TW-F02-201-PT100 | REV: 8-12-20