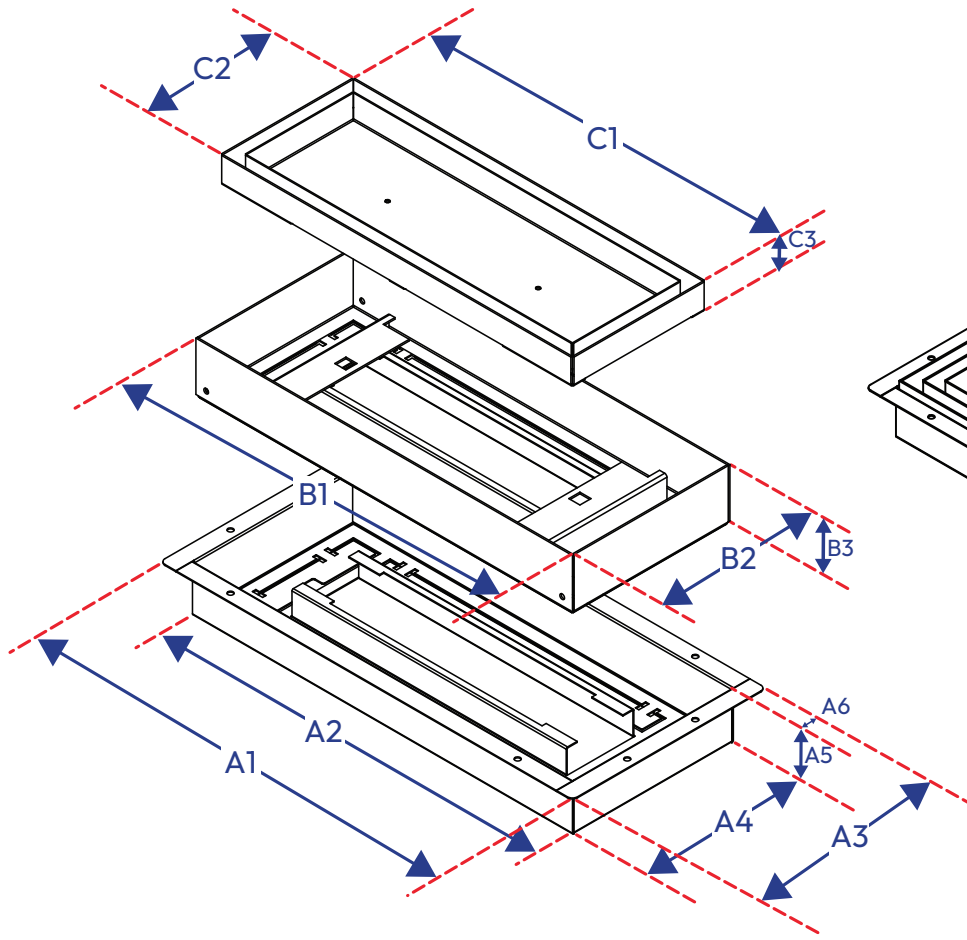


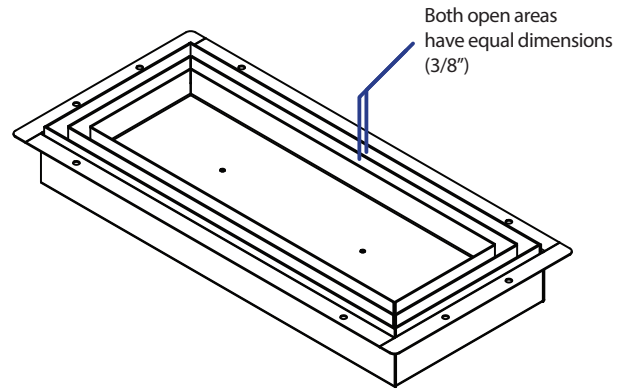


# Flush Floor Vent [Luxe] High-Performance Specification Sheet

Perspective View



Assembled View



## Component Dimensions

	4"X10"		4"X12"		6"X12"		6"X14"	
	Inches	MM	Inches	MM	Inches	MM	Inches	MM
A1	11 1/16"	281 mm	13 5/32"	334 mm	13 1/16"	332 mm	15 1/16"	383 mm
A2	9 15/16"	252 mm	11 29/32"	302 mm	11 7/8"	302 mm	13 7/8"	352 mm
A3	5 1/16"	129 mm	5 1/8"	130 mm	7 1/16"	180 mm	7 1/16"	179 mm
A4	3 7/8"	98 mm	3 7/8"	98 mm	5 7/8"	149 mm	5 7/8"	149 mm
A5	1 5/8"	41 mm	1 13/16"	46 mm	1 11/16"	43 mm	1 11/16"	43 mm
A6	5/8"	16 mm	5/8"	16 mm	5/8"	16 mm	5/8"	16 mm
B1	9 3/4"	248 mm	11 3/4"	298 mm	11 3/4"	298 mm	13 3/4"	349 mm
B2	3 3/4"	95 mm	3 7/8"	98 mm	5 3/4"	146 mm	5 3/4"	146 mm
B3	1 13/16"	46 mm	1 25/32"	45 mm	1 13/16"	46 mm	1 7/8"	48 mm
C1	8 57/64"	226 mm	10 29/32"	277 mm	10 7/8"	276 mm	11 63/64"	304 mm
C2	2 57/64"	73 mm	2 29/32"	74 mm	4 7/8"	124 mm	3 63/64"	101 mm
C3	1"	25 mm	15/16"	24 mm	15/16"	24 mm	7/8"	22 mm

## Components

Tray: Insert finished surface material. Can slide and remove to access air flow flanges.

Body: Adjustable to height of floor surface.

Base: Installed before surface material at sub-floor level.

## Install Note

This unit must be installed before flooring at sub-floor level. Use your surface material to customize vent.

## Compatible Surface Materials

Tile, mosaic, hardwood, laminate, carpet, cork etc. Material must be 1/8" thick or more.