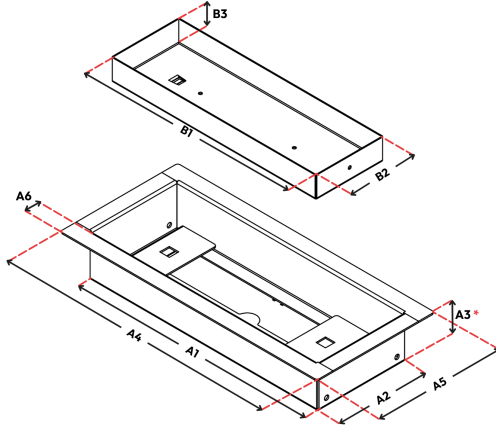


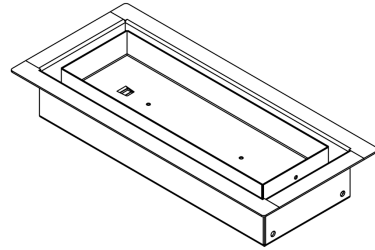
# Framed Floor Vent (Luxe)

## Component Dimensions

If unsure of vent sizing, please refer to our Sizing Tool: <https://fittes.com/#quiz-xYSKaj>



Assembled View:



### Imperial (in)

	2.25x10"	2.25x12"	3x10"	4x10"	4x12"
A1	9 3/4	11 3/4	9 3/4	9 3/4	11 3/4
A2	2 1/8	2 1/8	2 7/8	3 3/4	3 3/4
A3*	147/64	151/64	145/64	149/64	147/64
A4	10 23/32	12 23/32	10 15/16	10 15/16	12 7/8
A5	3 1/16	3 3/32	4 1/16	5	4 15/16
A6	33/64	17/32	41/64	43/64	41/64
B1	8 3/4	10 3/4	8 3/4	8 3/4	10 3/4
B2	1 3/16	1 3/16	1 31/32	2 51/64	2 13/16
B3	29/32	29/32	29/32	29/32	29/32

### Metric (mm)

	2.25x10"	2.25x12"	3x10"	4x10"	4x12"
A1	247.7	298.5	247.7	247.7	298.5
A2	54.0	54.0	73.0	95.3	95.3
A3*	44.1	45.6	43.3	44.8	44.1
A4	272.3	323.1	277.8	277.8	327.0
A5	77.8	78.6	103.2	127.0	125.4
A6	13.1	13.5	16.3	17.1	16.3
B1	222.3	273.1	222.3	222.3	273.1
B2	30.2	30.2	50.0	71.0	71.4
B3	23.0	23.0	23.0	23.0	23.0

	4x14"	6x10"	6x12"	6X14"	8X8"
A1	13 3/4	9 3/4	11 3/4	13 3/4	7 11/16
A2	3 3/4	5 3/4	5 3/4	5 3/4	7 11/16
A3*	147/64	147/64	149/64	151/64	147/64
A4	14 15/16	10 15/16	12 7/8	14 15/16	8 7/8
A5	4 15/16	6 15/16	6 15/16	6 15/16	8 7/8
A6	41/64	41/64	21/32	29/32	41/64
B1	12 3/4	8 3/4	10 23/32	12 3/4	6 3/4
B2	2 13/16	4 13/16	4 13/16	4 13/16	6 3/4
B3	29/32	29/32	29/32	29/32	29/32

	4x14"	6x10"	6x12"	6X14"	8X8"
A1	349.3	247.7	298.5	349.3	195.3
A2	95.3	146.1	146.1	146.1	195.3
A3*	44.1	44.1	44.8	45.6	44.1
A4	379.4	277.8	327.0	379.4	225.4
A5	125.4	176.2	176.2	176.2	225.4
A6	16.3	16.3	16.7	23.0	16.3
B1	323.9	222.3	272.3	323.9	171.5
B2	71.4	122.2	122.2	122.2	171.5
B3	23.0	23.0	23.0	23.0	23.0

\* A3 measures the depth of the vent that will go into the floor.

## Additional Notes

### Components

**Body (A):** The outer shell of the vent that houses the tray. Placed on top of flooring.

**Tray (B):** Insert finished surface material. Can slide and remove to access dampers

### Install Note

This unit can be retrofitted and installed after the finished surface. Use your surface material to customize vent.

### Airflow Control

Dampers included in base.

### Compatible Materials

Tile, mosaic, hardwood, laminate, carpet, cork, etc.  
Material thickness can range from 1/8" to B3 dimension. For smaller thicknesses, plywood may be required. Refer to install guide for proper installation instructions.