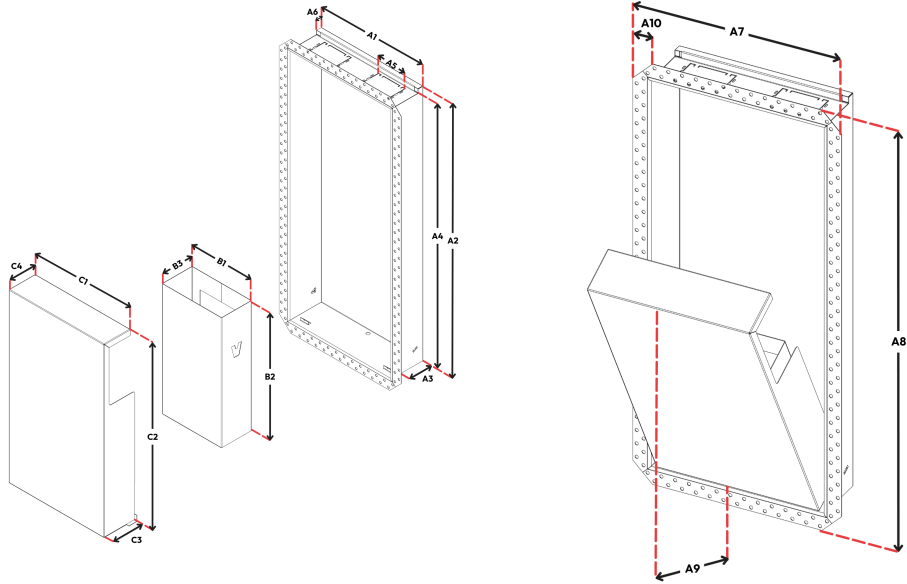


# Flush WC Niche

## Component Dimensions



	Imperial (in)	Metric (mm)
A1	12 5/8	320.68
A2	29 1/2	749.30
A3	3 7/8	98.43
A4	29	736.60
A5	3 3/8	85.73
A6	5/8	15.88
A7	15 1/8	384.18
A8	31 1/2	800.10
A9	9 3/8	238.13
A10	1 9/32	32.54
B1	7 3/8	187.33
B2	14	355.60
B3	3 23/32	94.46
C1	11 13/16	300.04
C2	20 1/15	509.69
C3	3 13/16	96.84
C4	3 9/32	83.34

## Additional Notes

### Components

**Body:** Framed mount to drop into wall. No sanding or mudding required

**Garbage Bin:** 1.67 gallon capacity. Removeable from door.

**Door:** Powder coated surface to be finished with paint or wallpaper. Provides storage for bathroom supplies.

### Install Notes:

Corner bead edge to be fastened to surface and finished with drywall mud.

