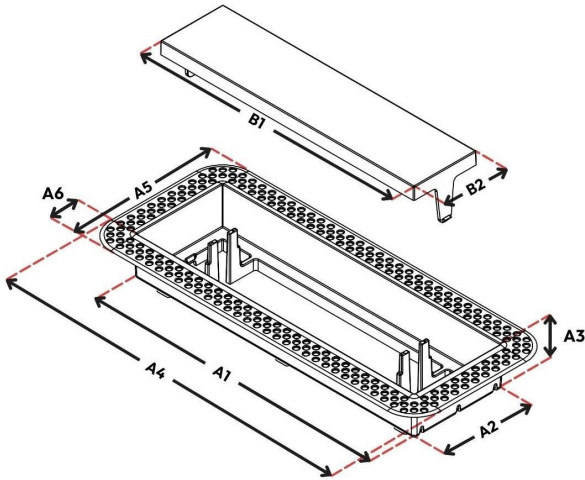


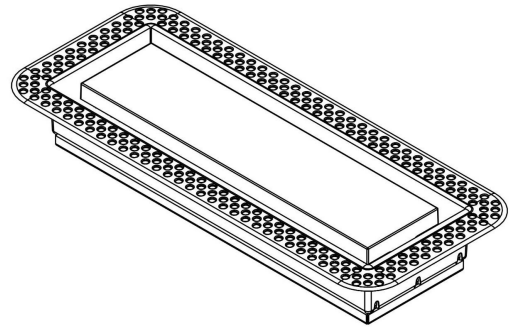
# Flush Wall Vent (Lite)

## Component Dimensions

If unsure of vent sizing, please refer to our **Sizing Tool**: <https://fittes.ca/#quiz-YDHqRw>



Assembled View:



### Imperial (in)

	4x10"	4x12"	6x10"	6x12"	6x14"
A1	9 13/16	11 13/16	9 13/16	11 13/16	13 13/16
A2	3 51/64	3 51/64	5 51/64	5 51/64	5 51/64
A3	1 29/32	1 29/32	1 29/32	1 29/32	1 29/32
A4	11 25/32	13 53/64	11 53/64	13 53/64	15 53/64
A5	5 49/64	5 51/64	7 51/64	7 51/64	7 51/64
A6	1 5/64	1 3/32	1 3/32	1 3/32	1 3/32
B1	8 5/8	10 5/8	8 19/32	10 23/64	12 23/64
B2	2 5/8	2 5/8	4 5/8	4 23/64	4 23/64

### Metric (mm)

	4x10"	4x12"	6x10"	6x12"	6x14"
A1	249.2	300.0	249.2	300.0	350.8
A2	96.4	96.4	147.2	147.2	147.2
A3	48.4	48.4	48.4	48.4	48.4
A4	299.2	351.2	300.4	351.2	402.0
A5	146.4	147.2	198.0	198.0	198.0
A6	27.4	27.8	27.8	27.8	27.8
B1	66.7	269.9	218.3	263.1	313.9
B2	219.1	66.7	117.5	110.7	110.7

	8x8"	8x14"	10x10"	10x14"	12x12"
A1	7 51/64	14 1/4	9 51/64	14 1/4	11 51/64
A2	7 51/64	8	9 51/64	10	11 51/64
A3	1 29/32	1 29/32	1 29/32	1 3/4	1 29/32
A4	9 51/64	16 1/4	11 51/64	16 7/32	13 51/64
A5	9 51/64	10	11 51/64	11 31/32	13 51/64
A6	1 3/32	1 3/32	1 3/32	1 5/64	1 3/32
B1	6 23/64	12 51/64	8 23/64	7 63/64	10 19/64
B2	6 25/64	6 35/64	8 23/64	12 15/64	10 19/64

	4x10"	4x12"	10x10"	10x14"	12x12"
A1	198.0	362.0	248.8	362.0	299.6
A2	198.0	203.2	248.8	254.0	299.6
A3	48.4	48.4	48.4	44.5	48.4
A4	248.8	412.8	299.6	412.0	350.4
A5	248.8	254.0	299.6	304.0	350.4
A6	27.8	27.8	27.8	27.4	27.8
B1	161.5	325.0	212.3	202.8	261.5
B2	162.3	166.3	212.3	310.8	261.5

## Additional Notes

### Components

**Body (A):** Mudded into drywall. Provides flush finish with wall. Please see installation guide for proper install method

**Tray (B):** Can slide to remove to access dampers

### Install Note

This product must be mudded into drywall

### Airflow Control

Dampers sold separately. Check [www.fittes.com](http://www.fittes.com) for available sizes

### Compatible Materials

Inner tray can be painted over or wallpapered to match wall