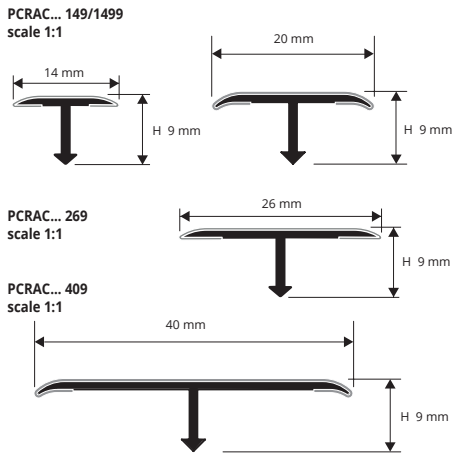


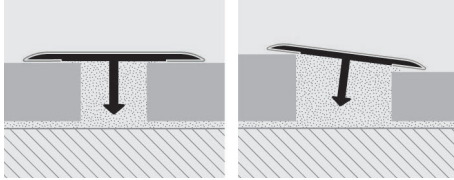
PROCOVER

POLISHED AND SATIN FINISH
STAINLESS STEEL AISI 304/1.4301-V2A

threshold - joint-cover profiles

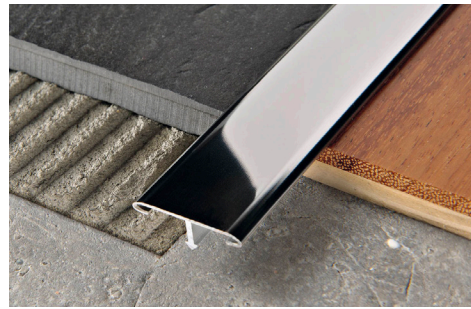


EXAMPLES AND INSTRUCTIONS FOR LAYING METHODS



1. Choose the "PROCOVER" with the width suitable for the gap between the two floors to be joined, taking into consideration 2/3 mm side lap. 2. Fill the gap with single-pack silicone or with the adhesive used for laying the floor. 3. Bury the profile into the adhesive, making sure that both side laps of the profile rest on the coverings to be joined.

PROCOVER is a joint-cover profile in stainless steel (polished or satin finish) with aluminium supports. It is applied at the end of laying two adjoining floors with the same height, having left a 6 - 24 mm gap between the two floors set in a thin bed of adhesive. It protects the outside edges of the floor/covering. It is easy to lay and attractive. The design of the profile with lower vertical arrowhead part allows excellent anchorage with the silicone/adhesive. The aluminium structure with the stainless steel lining provides it with a high level of resistance to cuts and deformation.

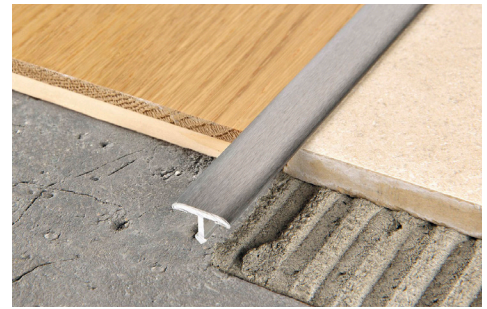


POLISHED STAINLESS ST. AISI 304/1.4301-V2A
with protective film - bar length 2,7 lm
(PCRAC 1499 - bar length 0,90 lm) - 4/10 mm



Article	Pcs/Pack	L x H mm	€/lm	€/Pc
PCRAC 149	40	14 X 9		
PCRAC 1499	20	14 X 9	-	
PCRAC 209	40	20 X 9		
PCRAC 269	30	26 X 9		
PCRAC 409	20	40 X 9		

COLOURS



SATIN FINISH STAINLESS ST. AISI 304/1.4301-V2A
with protective film - bar length 2,7 lm - 4/10 mm
(PCRACS 1499 - bar length 0,90 lm - pack. 20 Pcs)



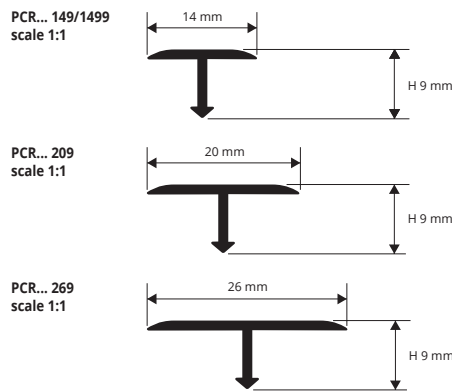
Article	Pcs/Pack	L x H mm	€/lm	€/Pc
PCRACS 149	40	14 X 9		
PCRACS 1499	20	14 X 9	-	
PCRACS 209	40	20 X 9		
PCRACS 269	30	26 X 9		
PCRACS 409	20	40 X 9		

SUITABLE FOR USE IN CONTACT WITH FOODSTUFFS.

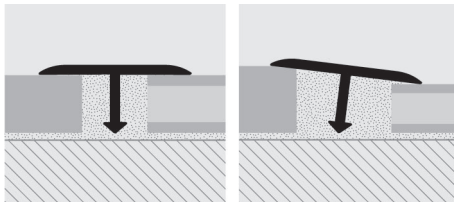
PROCOVER

POLISHED, CHROMED AND ANTIQUE BRASS

threshold - joint-cover profiles



EXAMPLES AND INSTRUCTIONS FOR LAYING METHODS



1. Choose the "PROCOVER" with the width suitable for the gap between the two floors to be joined, taking into consideration 2/3 mm side lap. 2. Fill the gap with single-pack silicone or with the adhesive used for laying the floor. 3. Bury the profile into the adhesive, making sure that both side laps of the profile rest on the coverings to be joined.

Profiles in natural or polished brass may be subject to oxidation in environments with high degrees of humidity. Resulting marks may be easily removed by polishing the profiles with specific products to be found on sale such as Sidol, Smac and similar.

PROCOVER is a joint-cover profile in polished, chromed and antique brass. It is applied at the end of laying two adjoining floors with the same height, having left a 6 - 24 mm gap between the two floors set in a thin bed of adhesive. It protects the outside edges of the floor/covering. It is easy to lay and attractive. The design of the profile with lower vertical arrowhead part allows excellent anchorage with the silicone/adhesive.



POLISHED BRASS thermo packed - bar length 2,7 lm
(PCROL 1499 - bar length 0,90 lm - pack. 40 Pcs)



Article	Pcs/Pack	L x H mm	€/lm	€/Pc
PCROL 149	20	14 X 9		
PCROL 1499	40	14 X 9	-	
PCROL 209	20	20 X 9		
PCROL 269	20	26 X 9		

CHROMED BRASS (polished stainless st. effect) thermo packed
bar length 2,7 lm - pack. 20 Pcs - 54 lm

Article	L x H mm	€/lm	€/Pc
PCROC 149	14 X 9		
PCROC 209	20 X 9		
PCROC 269	26 X 9		



ANTIQUÉ BRASS thermo packed
bar length 2,7 lm - pack. 20 Pcs - 54 lm

Article	L x H mm	€/lm	€/Pc
PCROB 149	14 X 9		
PCROB 209	20 X 9		
PCROB 269	26 X 9		

BRUSHED BRASS thermo packed
bar length 2,7 lm - pack. 20 Pcs - 54 lm

Article	L x H mm	€/lm	€/Pc
PCROS 149	14 X 9		
PCROS 209	20 X 9		
PCROS 269	26 X 9		

COLOURS



= News 2022

= Production on demand with minimum quantity of 100 pcs. Production delay 4/5 weeks. Price to be agreed

Prices are referred to whole packs 10% increase for minimum orders of 10 pcs. 20% increase for orders of less than 10 pcs.