

Prophet River 2165

Engineered Luxury Vinyl - SPC • Therma

Benefits

- Family friendly (including pet)
- Safe and healthy
- Easy maintenance
- Quiet and comfortable
- Notable look
- Performant and durable construction
- Easy and versatile Installation
- Best-in-class Warranty



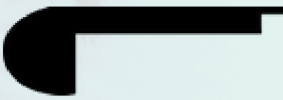


Product Specifications

| | |
|-----------------------------|----------------------------------------------------------------------------------------------------------------------------------------------------------------------------------------------------------------------------------------------|
| Brand | HydraLuxe Rigid |
| Collection | Therma |
| Style Name | Prophet River |
| Style Number | 2165 |
| Construction | Engineered Luxury Vinyl |
| Sub Category | SPC |
| Format | Plank |
| Material | Virgin PVC |
| Core Material | 70% Calcium Carbonate / 30% Vinyl |
| Backing | Cork |
| Design | Wood |
| Wear Layer Thickness | 0.02" (0.5 mm) |
| Vinyl Thickness | n/a |
| Core Thickness | 0.157" (4 mm) |
| Backing Thickness | 0.0394" (1 mm) |
| Total Thickness | 0.197" (5 mm) |
| Width | 7.087" (180 mm) |
| Length(s) | 48.031" (1220 mm) |
| Edges | 4-Sided Macro Painted Bevel |
| Locking System | Välinge 5Gi |
| Finish | Medium Embossed |
| Top Surface | UV-Cured Polyurethane & Ceramic Bead Technology |
| Abrasion Resistance | General Commercial Use |
| Gloss | Mat |
| IIC | 72 |
| STC | 73 |
| Formaldehyde | E1 |
| Pattern Repeat | 5 |
| Certifications | BLC Certification, Designers' Choice, Phthalates Free, E1 Certified, FloorScore, GreenGuard Gold Certified |
| Installation Method | Floating, Compatible With Embedded Radiant Heating |
| Residential Warranty | Manufacturing Defects <i>Lifetime</i> Wear <i>Lifetime</i> Stain Resistance <i>Lifetime</i> Fade <i>Lifetime</i> No Questions Asked Replacement <i>Minimum 30 Days</i> Waterproof <i>Lifetime</i> Petproof <i>Lifetime</i> |
| Commercial Warranty | Manufacturing Defects <i>15 Years</i> Wear <i>15 Years</i> Stain Resistance <i>15 Years</i> Fade <i>15 Years</i> Waterproof <i>Lifetime</i> Petproof <i>Lifetime</i> |

Packaging Information

| | |
|---------------------------------|-------------------------------|
| Planks Per Box | 8 |
| Boxes Per Pallet | 70 |
| Box Weight | 33.09 Pounds (15010.51 Grams) |
| Square Feet Per Box | 18.91 |
| Square Meters Per Box | 1.76 |
| Square Feet Per Pallet | 1323.7 |
| Square Meters Per Pallet | 122.98 |

Moldings

| | |
|--------------------------------------------------------------------------------------|---------------------------------------------------------------------------------------|
|  |  |
| Flushmount Stair Nose | Reducer |
| Matching | Matching |
| 94.488" X .984" X 2.834" | 94.488" X 0.281" X 1.771" |
| (2400 mm X 25 mm X 72 mm) | (2400 mm X 7 mm X 45 mm) |
|  | |
| T-Molding | |
| Matching | |
| 94.488" X 0.315" X 1.771" | |
| (2400 mm X 8 mm X 45 mm) | |