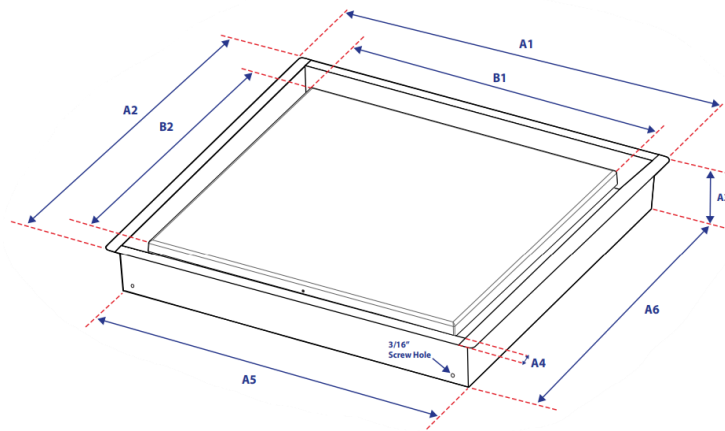
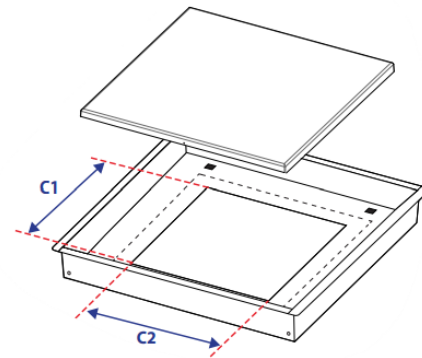


Component Dimensions



Expanded View



Dimensions

	Imperial (in)	Metric (mm)
A1	15 25/64	391
A2	15 25/64	391
A3	123/32	44
A4	39/64	15
A5	14 1/4	362
A6	14 1/4	362
B1	13	330
B2	13	330
C1*	8	203
	10 5/8	270
C2*	8	203
	10 5/8	270

Additional Notes

Components

Body (A): Framed edge for quick and easy drop-in installation. No mudding or sanding required.

Tray (B): Powder coated surface to be finished with paint or wallpaper to match ceiling. Can slide and remove to access fan.

Air Flow Control

No airflow control available for this model

Compatible Fans

Compatible with any retrofit fan models that require drywall opening between 8x8" to 10 1/2" x 10 1/2". Installation requires extra 1 3/4" space in ceiling cavity. See Figure 1.1

Notable compatible fans are: Panasonic - WhisperCeiling, WhisperFit, WhisperGreen Select

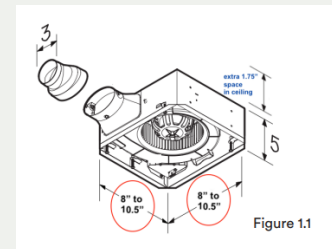


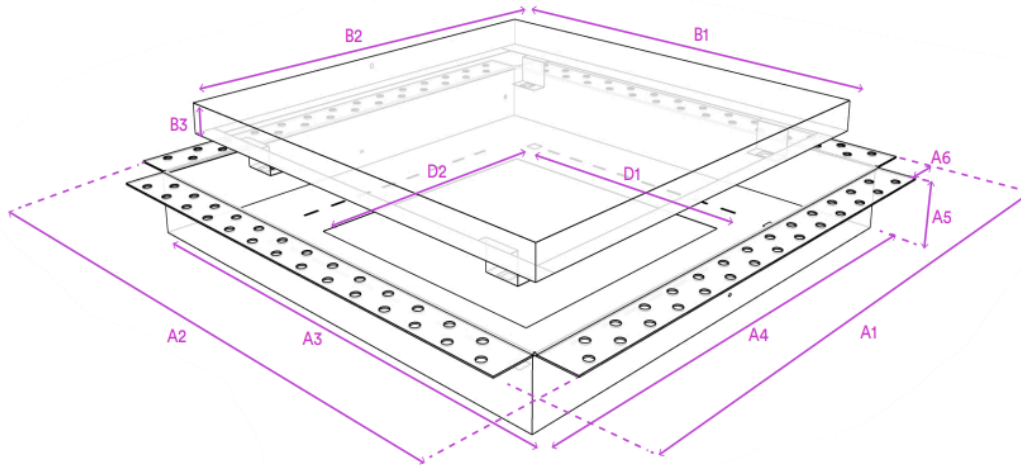
Figure 1.1

Install Note

Some fans may require trimming the mounting flange. C1 and C2 can be trimmed to 8 - 10 5/8" to fit various fans. Double check before mounting by dry-fitting fan into Drywall Pro X opening. Test by sliding Drywall Pro X plate in the tabs - if the fan's flange obstructs the tabs, trim flange as needed.

Flush Exhaust Mount (Luxe)

Component Dimensions



Dimensions

	Imperial (in)	Metric (mm)
A1	16 11/16	424
A2	16 11/16	424
A3	14 1/4	362
A4	14 1/4	362
A5	1 11/16	43
A6	1 1/4	32
B1	13	330
B2	13	330
B3	7/8	22
D1*	8	203
	10 5/8	270
D2*	8	203
	10 5/8	270

* Install Note

Some fans may require trimming the mounting flange. D1 and D2 can be trimmed to 8 - 10 5/8" to fit various fans. Double check before mounting by dry-fitting fan into Drywall Pro X opening. Test by sliding Drywall Pro X plate in the tabs - if the fan's flange obstructs the tabs, trim flange as needed.

Additional Notes

Components

Body (A): Framed Edge for quick and easy drop-in installation. No mudding or sanding required.

Tray (B): Powder coated surface to be finished with paint or wallpaper to match ceiling. Can slide and remove to access fan.

Air Flow Control

No airflow control available for this model

Compatible Fans

Compatible with any retrofit fan models that require drywall opening between 8x8" to 10 1/2" x 10 1/2" Installation requires extra 1 3/4" space in ceiling cavity. See Figure 1.1

Notable compatible fans are: Panasonic - WhisperCeiling, WhisperFit, WhisperGreen Select

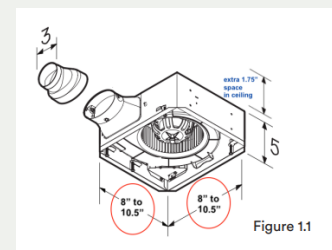


Figure 1.1