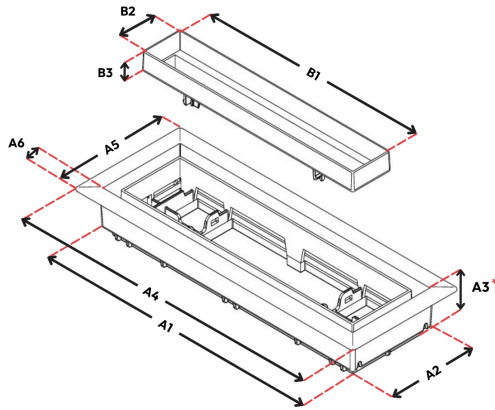
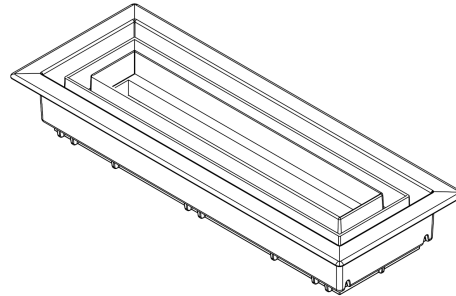


## Component Dimensions

If unsure of vent sizing, please refer to our **Sizing Tool**: <https://fittes.ca/#quiz-YDHqRw>



**Assembled View:**



### Imperial (in)

	4x10"	4x12"	4x14"
A1	9 51/64	11 51/64	13 51/64
A2	3 51/64	3 51/64	3 51/64
A3*	1 15/16	1 15/16	1 15/16
A4	10 59/64	12 59/64	14 59/64
A5	4 59/64	4 59/64	4 59/64
A6	2 1/32	2 1/32	2 1/32
B1	7 19/32	9 19/32	11 19/32
B2	1 19/32	1 19/32	1 19/32
B3	3/4	3/4	3/4

### Metric (mm)

	4x10"	4x12"	4x14"
A1	248.8	299.6	350.4
A2	96.4	96.4	96.4
A3*	49.2	49.2	49.2
A4	277.4	328.2	379.0
A5	125.0	125.0	125.0
A6	16.7	16.7	16.7
B1	192.9	243.7	294.5
B2	40.5	40.5	40.5
B3	19.1	19.1	19.1

\* A3 measures the depth of the vent that will go into the floor.

## Additional Notes

### Components

**Body (A):** The outer shell of the vent that houses the tray. Placed on top of flooring. Double channel design for increased airflow.

**Tray (B):** Insert finished surface material. Can slide and remove to access dampers

### Install Note

This unit can be retrofitted and installed after the finished surface. Use your surface material to customize vent.

### Airflow Control

Dampers sold separately. Check [www.fittes.com](http://www.fittes.com) for available sizes

### Compatible Materials

Tile, mosaic, hardwood, laminate, carpet, cork, etc. Material must be 1/8" thick or more.