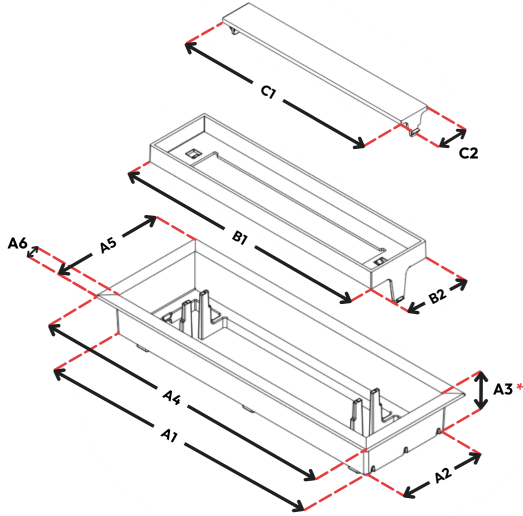
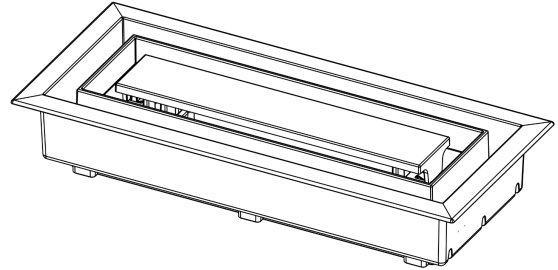


## Component Dimensions

If unsure of vent sizing, please refer to our Sizing Tool: <https://fittes.ca/#quiz-YDHaRw>



Assembled View:



### Imperial (in)

	4x10"	4x12"	6x10"	6x12"	6x14"
A1	9 13/16	11 13/16	9 13/16	11 13/16	13 13/16
A2	3 51/64	3 51/64	5 51/64	5 51/64	5 51/64
A3 *	1 53/64	1 53/64	1 53/64	1 53/64	1 53/64
A4	10 45/64	12 45/64	10 45/64	12 45/64	14 45/64
A5	4 11/16	4 11/16	6 11/16	6 11/16	6 11/16
A6	7/16	7/16	7/16	7/16	7/16
B1	8 39/64	10 39/64	8 19/32	11 23/32	12 23/64
B2	2 39/64	2 39/64	4 37/64	4 23/64	4 23/64
C1	7 23/64	9 23/64	7 11/32	9 7/64	11 7/64
C2	1 25/64	1 25/64	3 23/64	3 9/64	3 9/64

### Metric (mm)

	4x10"	4x12"	6x10"	6x12"	6x14"
A1	249.2	300.0	249.2	300.0	350.8
A2	96.4	96.4	147.2	147.2	147.2
A3 *	46.4	46.4	46.4	46.4	46.4
A4	271.9	322.7	271.9	322.7	373.5
A5	119.1	119.1	169.9	169.9	169.9
A6	11.1	11.1	11.1	11.1	11.1
B1	66.3	269.5	218.3	297.7	313.9
B2	218.7	66.3	116.3	110.7	110.7
C1	186.9	237.7	186.5	231.4	282.2
C2	35.3	35.3	85.3	79.8	79.8

	8x8"	8x14"	10x10"	10x14"	12x12"
A1	7 51/64	14 1/4	9 51/64	14 1/4	11 51/64
A2	7 51/64	8	9 51/64	10	11 51/64
A3 *	1 53/64	1 53/64	1 53/64	1 31/32	1 53/64
A4	8 11/16	15 1/8	10 11/16	15 1/8	12 11/16
A5	8 11/16	8 7/8	10 11/16	10 7/8	12 11/16
A6	7/16	7/16	7/16	7/16	7/16
B1	6 3/8	12 25/32	8 11/32	12 1/4	10 5/16
B2	6 3/8	6 33/64	8 11/32	8	10 5/16
C1	5 17/64	11 3/8	7 1/4	10 17/64	9 3/16
C2	5 17/64	5 1/8	7 1/4	6 1/64	9 3/16

	8x8"	8x14"	10x10"	10x14"	12x12"
A1	198.0	362.0	248.8	362.0	299.6
A2	198.0	203.2	248.8	254.0	299.6
A3 *	46.4	46.4	46.4	50.0	46.4
A4	220.7	384.2	271.5	384.2	322.3
A5	220.7	225.4	271.5	276.2	322.3
A6	11.1	11.1	11.1	11.1	11.1
B1	161.9	324.6	211.9	311.2	261.9
B2	161.9	165.5	211.9	203.2	261.9
C1	133.7	288.9	184.2	260.7	233.4
C2	133.7	130.2	184.2	152.8	233.4

\* A3 measures the depth of the vent that will go into the wall.

## Additional Notes

### Components

**Base (A):** Can be dropped into wall. No mudding required. Please see installation guide for proper installation instructions

**Outer Tray (B):** Can slide to remove to access dampers

**Inner Tray (C):** Can be customized to match wall. Comes pre-assembled to outer tray

### Install Note

This unit can be retrofitted and installed after the finished surface.

### Airflow Control

Dampers sold separately. Check [www.fittes.com](http://www.fittes.com) for available sizes

### Compatible Materials

Inner tray can be painted over or wallpapered to match wall