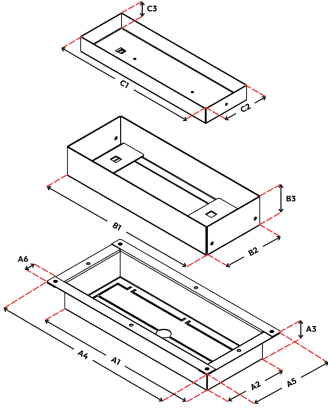


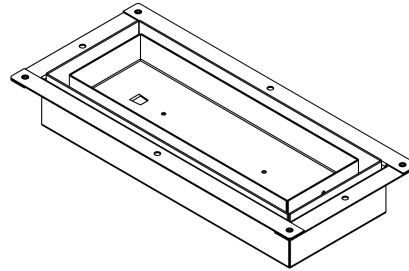
Flush Floor Vent (Luxe)

Component Dimensions

If unsure of vent sizing, please refer to our Sizing Tool: <https://fittes.com/Equip-xYSKeJ>



Assembled View:



Imperial (in)

	2.25x10"	2.25x12"	3x10"	4x10"	4x12"
A1	9 7/8	11 7/8	9 7/8	9 29/32	11 29/32
A2	2 1/8	2 5/32	2 7/8	3 7/8	3 7/8
A3*	141/64	143/64	147/64	119/32	151/64
A4	10 7/8	12 7/8	10 7/8	11 5/32	13 5/32
A5	3 1/8	12 5/8	3 7/8	5 1/8	5 1/8
A6	10 5/8	33/64	17/32	21/32	21/32
B1	9 3/4	11 3/4	9 3/4	9 23/32	11 3/4
B2	2 1/64	2 1/16	2 3/4	3 3/4	3 3/4
B3	147/64	125/32	1 3/4	1 3/4	125/32
C1	8 3/4	10 3/4	8 23/32	8 41/64	10 45/64
C2	1 3/16	1 3/16	115/16	2 51/64	2 51/64
C3	7/8	7/8	59/64	7/8	59/64

Metric (mm)

	2.25x10"	2.25x12"	3x10"	4x10"	4x12"
A1	250.8	301.6	250.8	251.6	302.4
A2	54.0	54.8	73.0	98.4	98.4
A3*	41.7	42.5	44.1	40.5	45.6
A4	276.2	327.0	276.2	283.4	334.2
A5	79.4	320.7	98.4	130.2	130.2
A6	269.9	13.1	21/32	13.5	16.7
B1	247.7	298.5	247.7	246.9	298.5
B2	51.2	52.4	69.9	95.3	95.3
B3	44.1	45.2	44.5	44.5	45.2
C1	222.3	273.1	221.5	219.5	271.9
C2	30.2	30.2	49.2	71.0	71.0
C3	22.2	22.2	23.4	22.2	23.4

	4x14"	6x10"	6x12"	6x14"	8x8"
A1	13 7/8	9 7/8	11 7/8	13 7/8	7 7/8
A2	3 7/8	5 7/8	5 7/8	5 7/8	7 7/8
A3*	119/32	121/32	119/32	119/32	121/32
A4	15 1/16	11 1/16	15 1/16	15 1/16	9 1/16
A5	5 1/16	7 1/16	7 1/16	7 1/16	9 1/16
A6	5/8	5/8	5/8	5/8	5/8
B1	13 3/4	9 3/4	11 3/4	13 3/4	7 11/16
B2	3 3/4	5 3/4	5 3/4	5 3/4	7 11/16
B3	145/64	149/64	125/32	145/64	123/32
C1	12 47/64	8 47/64	10 3/4	12 3/4	6 3/4
C2	2 51/64	4 51/64	4 13/16	4 13/16	6 3/4
C3	57/64	57/64	29/32	29/32	29/32

	4x14"	6x10"	6x12"	6x14"	8x8"
A1	352.4	250.8	301.6	352.4	200.0
A2	98.4	149.2	149.2	149.2	200.0
A3*	40.5	42.1	40.5	40.5	42.1
A4	382.6	281.0	382.6	382.6	230.2
A5	128.6	179.4	179.4	179.4	230.2
A6	15.9	15.9	15.9	15.9	15.9
B1	349.3	247.7	298.5	349.3	195.3
B2	95.3	146.1	146.1	146.1	195.3
B3	43.3	44.8	45.2	43.3	43.7
C1	323.5	221.9	273.1	323.9	171.5
C2	71.0	121.8	122.2	122.2	171.5
C3	22.6	22.6	23.0	23.0	23.0

* A3 measures the depth of the vent that will go into the floor.

Additional Notes

Components

Base (A): Installed before surface material at subfloor level

Body (B): Outer shell of vent that houses tray.

Tray (C): Insert finished surface material. Can slide and remove to access dampers

Install Note

This product must be installed before flooring at subfloor level.

Use your surface material to customize vent.

Height of body can be adjusted to match flooring.

Airflow Control

Dampers included in base.

Compatible Materials

Tile, mosaic, hardwood, laminate, carpet, cork, etc.

Material thickness can range from 1/8" to C3 dimension. For smaller thicknesses, plywood may be required. Refer to install guide for proper installation instructions.