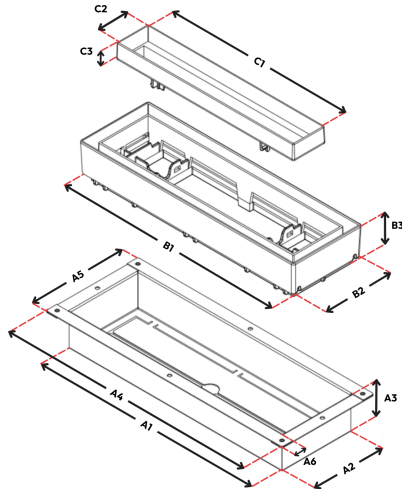


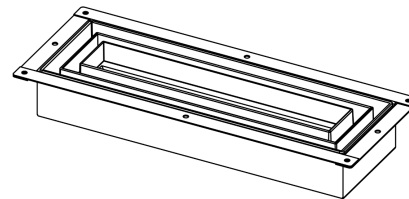
# Flush Floor Vent (Lite+)

## Component Dimensions

If unsure of vent sizing, please refer to our Sizing Tool: <https://fittes.ca/#quiz-YDHqRw>



Assembled View:



### Imperial (in)

	4x10"	4x12"	4x14"
A1	9 29/32	11 29/32	13 7/8
A2	3 7/8	3 7/8	3 7/8
A3	1 43/64	1 43/64	1 43/64
A4	11 5/32	13 5/32	15 1/16
A5	5 1/8	5 1/8	5 1/16
A6	19/32	19/32	9/16
B1	9 51/64	11 51/64	13 51/64
B2	3 51/64	3 51/64	3 51/64
B3	1 9/16	1 9/16	1 9/16
C1	7 19/32	9 19/32	11 19/32
C2	1 19/32	1 19/32	1 19/32
C3	3/4	3/4	3/4

### Metric (mm)

	4x10"	4x12"	4x14"
A1	251.6	302.4	352.4
A2	98.4	98.4	98.4
A3	42.5	42.5	42.5
A4	283.4	334.2	382.6
A5	130.2	130.2	128.6
A6	15.1	15.1	14.3
B1	248.8	299.6	350.4
B2	96.4	96.4	96.4
B3	39.7	39.7	39.7
C1	192.9	243.7	294.5
C2	40.5	40.5	40.5
C3	19.1	19.1	19.1

### Additional Notes

#### Components

**Base (A):** Installed before surface material at subfloor level

**Body (B):** Outer shell of vent that houses tray. Double channel design for increased airflow.

**Tray (C):** Insert finished surface material. Can slide and remove to access dampers

#### Install Note

This product must be installed before flooring at subfloor level.

Use your surface material to customize vent.

Patent information: <http://www.fittes.com/pages/patents>

#### Airflow Control

Dampers sold separately. Check [www.fittes.com](http://www.fittes.com) for available sizes

#### Compatible Materials

Tile, mosaic, hardwood, laminate, carpet, cork, etc.

Material must be 1/8" thick or more.