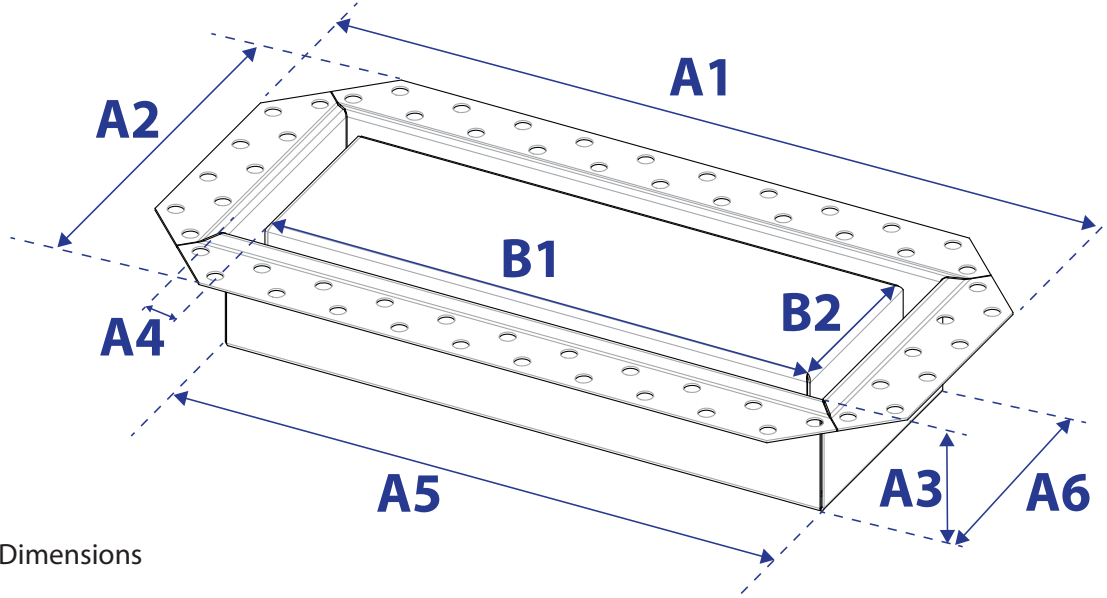




## Flush Wall Vent [Luxe] Supply Specification Sheet

### Perspective View

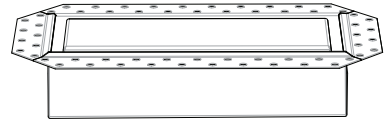


### Component Dimensions

#### Imperial

	3"x10"	4"x10"	4"x12"	6"x10"	6"x12"	6"x14"	8"x8"	8"x14"
A1	12 1/4"	12 1/4"	14 1/4"	12 1/4"	14 3/16"	16 1/4"	10 1/2"	16 1/4"
A2	5 3/8"	6 3/16"	6 3/16"	8 3/16"	8 3/16"	8 1/4"	10 1/2"	10 1/4"
A3	1 7/8"	1 7/8"	1 3/4"	1 3/4"	1 7/8"	1 7/8"	2 1/2"	1 27/32"
A4	1 3/32"	1 5/32"	3/8"	3/8"	1/2"	1/2"	5/8"	1 1/16"
A5	9 3/4"	9 3/4"	11 3/4"	9 3/4"	11 3/4"	13 3/4"	7 7/8"	13 3/4"
A6	2 7/8"	3 3/4"	3 3/4"	5 3/4"	5 3/4"	5 3/4"	7 7/8"	7 3/4"
B1	8 13/16"	8 7/8"	10 7/8"	8 7/8"	10 1 1/16"	12 1 1/16"	6 1/2"	12"
B2	2"	2 7/8"	2 7/8"	4 7/8"	4 1 1/16"	4 1 1/16"	6 1/2"	6"

### Side View



### Components

**Tray:** Powder coated surface to be finished with paint or wallpaper. Can slide and remove to access air flow dampers.

**Body:** Corner bead edge to be fastened to surface and finished with drywall mud.

### Air Flow Control

Air flow can be controlled at any time after install. Slide tray to access flanges. For optimal airflow open all dampers beyond 90°.

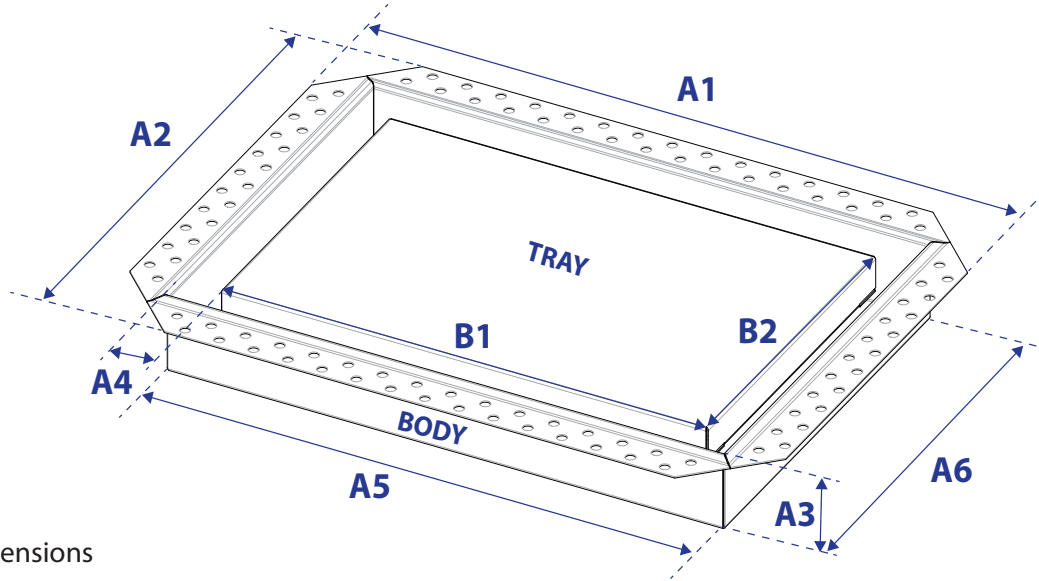
#### Metric

	3"x10"	4"x10"	4"x12"	6"x10"	6"x12"	6"x14"	8"x8"	8"x14"
A1	311mm	311mm	362mm	311mm	361mm	412mm	267mm	413mm
A2	137mm	158mm	159mm	209mm	209mm	209mm	267mm	260mm
A3	48mm	48mm	44mm	44mm	48mm	48mm	64mm	47mm
A4	10mm	12mm	10mm	10mm	12mm	12mm	16mm	21mm
A5	248mm	248mm	298mm	248mm	298mm	349mm	200mm	349mm
A6	73mm	95mm	95mm	146mm	146mm	146mm	200mm	197mm
B1	224mm	226mm	276mm	226mm	271mm	322mm	165mm	305mm
B2	51mm	73mm	73mm	124mm	119mm	119mm	165mm	152mm



## Flush Wall Vent [Luxe] Return Specification Sheet

### Perspective View



### Component Dimensions

#### Imperial

	10"x10"	12"x12"	14 1/4"x10"	30 1/4"x10"
A1	12 1/4"	14 3/8"	16 13/16"	32 3/4"
A2	12 1/4"	14 3/8"	12 7/16"	12 1/2"
A3	1 3/4"	1 3/4"	1 3/4"	1 3/4"
A4	7/8"	7/8"	7/8"	7/8"
A5	9 3/4"	11 3/4"	14 1/4"	30 1/4"
A6	9 3/4"	11 3/4"	10"	10"
B1	7 15/16"	9 15/16"	12 7/16"	28 1/2"
B2	7 15/16"	9 15/16"	8 3/16"	8 1/4"

#### Metric

	10"x10"	12"x12"	14 1/4"x10"	30 1/4"x10"
A1	311mm	365mm	425mm	832mm
A2	311mm	365mm	317mm	317mm
A3	44mm	44mm	44mm	44mm
A4	22mm	22mm	22mm	12mm
A5	248mm	298mm	362mm	768mm
A6	248mm	298mm	248mm	248mm
B1	202mm	252mm	317mm	724mm
B2	202mm	252mm	209mm	209mm

### Side View



### Components

**Tray:** Powder coated surface to be finished with paint or wallpaper. Can slide and remove to access air flow dampers.

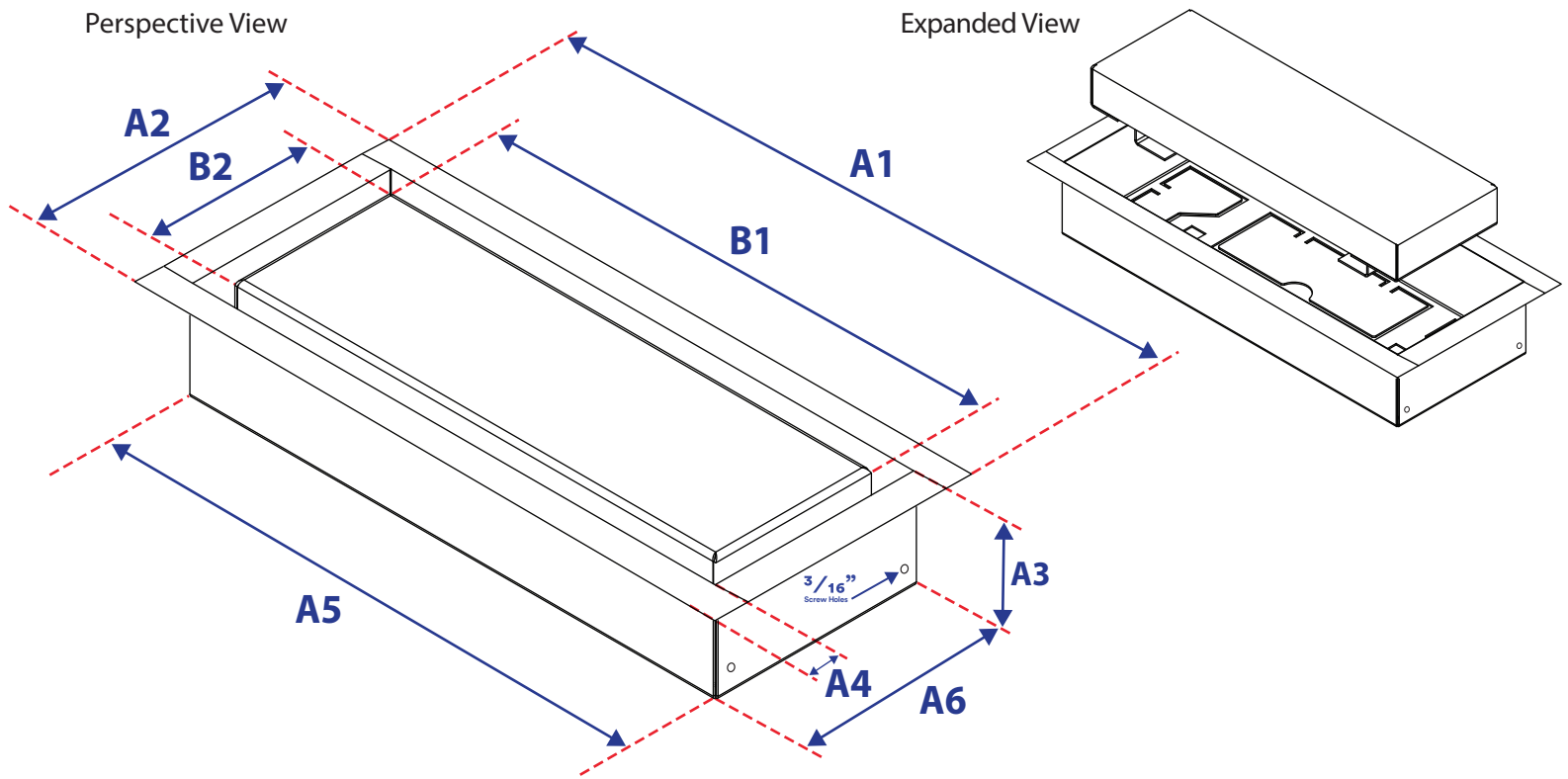
**Body:** Corner bead edge to be fastened to surface and finished with drywall mud.

### Air Flow Control

Air flow can be controlled at any time after install. Slide tray to access flanges. For optimal airflow open all dampers beyond 90°.



## Framed Wall Supply Vent [Luxe] Specification Sheet



### Component Dimensions

Imperial

	3"x10"	4"x10"	4"x12"	6"x10"	6"x12"	6"x14"	8"x8"	8"x14"
<b>A1</b>	11"	11"	12 1/4"	10 1/8"	12 15/16"	14 15/16"	9 1/8"	15 15/16"
<b>A2</b>	4 1/8"	5"	5"	6 1/8"	7"	7"	9 1/8"	8 15/16"
<b>A3</b>	1 13/16"	1 13/16"	1 13/16"	1 13/16"	1 13/16"	1 13/16"	2 7/16"	1 25/32"
<b>A4</b>	5/8"	5/8"	5/8"	5/8"	5/8"	5/8"	5/8"	5/8"
<b>A5</b>	9 3/4"	9 3/4"	10 7/8"	8 7/8"	11 3/4"	13 3/4"	7 7/8"	13 3/4"
<b>A6</b>	2 7/8"	3 3/4"	3 3/4"	5 3/4"	5 3/4"	5 3/4"	7 7/8"	7 3/4"
<b>B1</b>	8 13/16"	8 7/8"	11 3/4"	9 3/4"	10 11/16"	12 11/16"	6 1/2"	12"
<b>B2</b>	2"	2 7/8"	2 7/8"	4 7/8"	4 11/16"	4 11/16"	6 1/2"	6"

Metric

	3"x10"	4"x10"	4"x12"	6"x10"	6"x12"	6"x14"	8"x8"	8"x14"
<b>A1</b>	279mm	279mm	311mm	257mm	329mm	379mm	232mm	405mm
<b>A2</b>	105mm	127mm	127mm	127mm	178mm	178mm	232mm	227mm
<b>A3</b>	46mm	46mm	46mm	46mm	46mm	46mm	73mm	45mm
<b>A4</b>	16mm	16mm	16mm	16mm	16mm	16mm	16mm	16mm
<b>A5</b>	248mm	248mm	246mm	225mm	298mm	349mm	200mm	349mm
<b>A6</b>	73mm	95mm	95mm	146mm	146mm	146mm	200mm	197mm
<b>B1</b>	224mm	225mm	298mm	248mm	271mm	322mm	165mm	305mm
<b>B2</b>	51mm	73mm	73mm	124mm	119mm	119mm	165mm	152mm

### Components

**Tray:** Powder coated surface to be finished with paint or wallpaper. Can slide and remove to access air flow dampers.

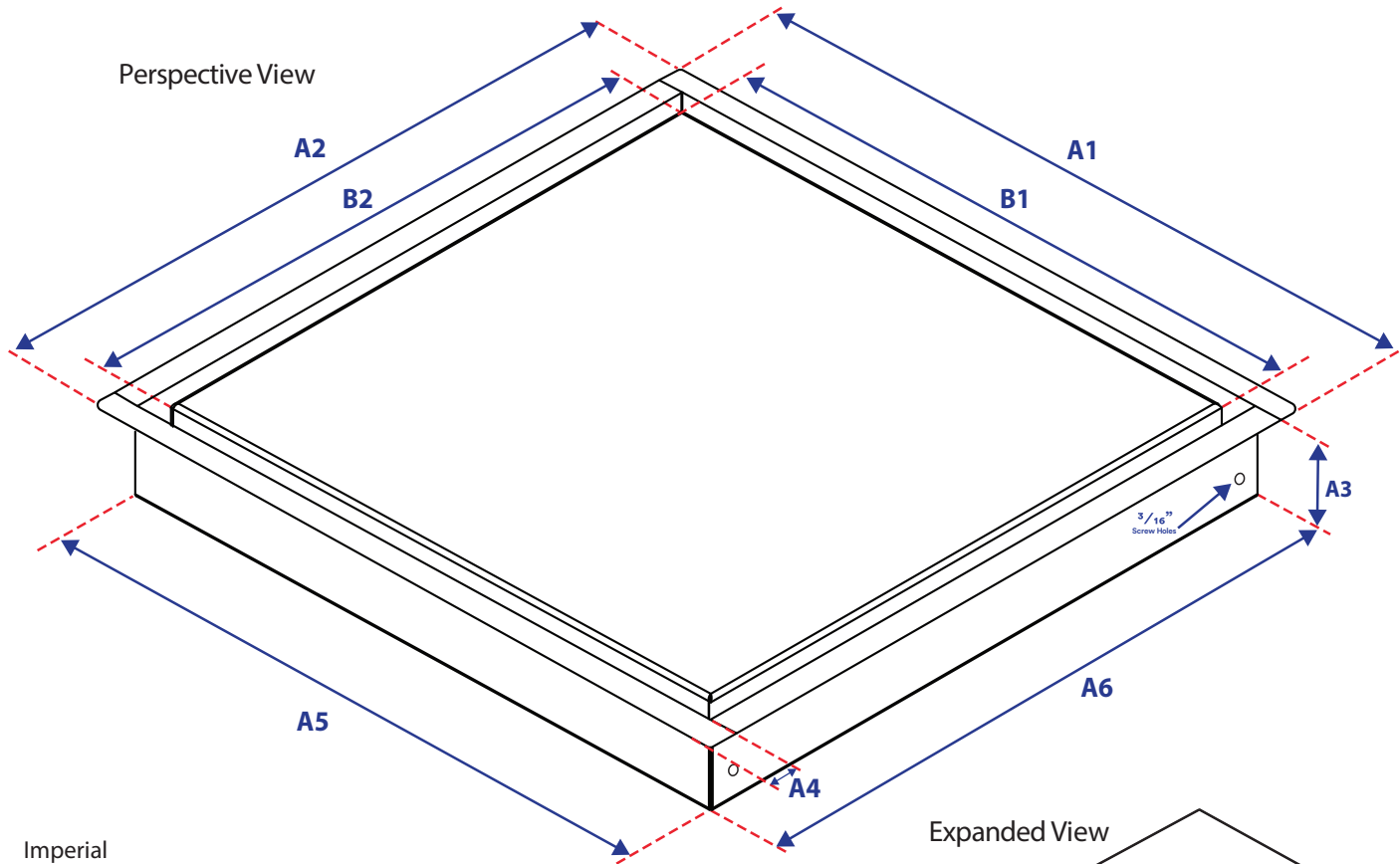
**Body:** Framed edge for quick and easy drop-in installation. No mudding or sanding required.

### Air Flow Control

Air flow can be controlled at any time after install. Slide tray to access flanges. For optimal airflow open all dampers beyond 90



## Framed Wall Return Vent [Luxe] Specification Sheet



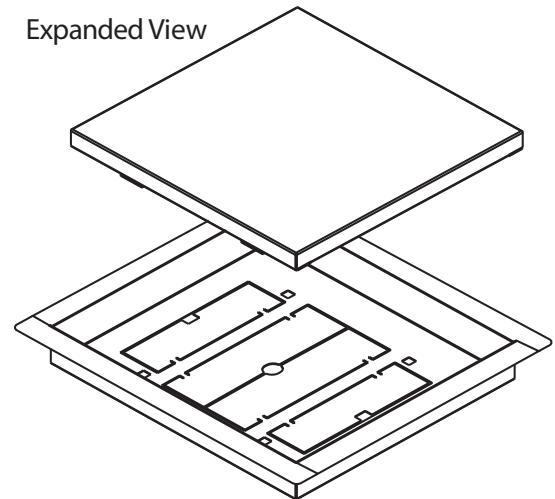
### Imperial

	10"x10"	12"x12"	10"x14"	10"x30"
A1	11"	13"	15 5/16"	31 1/2"
A2	11"	13"	11 1/4"	11 1/4"
A3	1 13/16"	1 13/16"	1 13/16"	1 13/16"
A4	5/8"	5/8"	5/8"	5/8"
A5	9 3/4"	11 3/4"	14 1/16"	30 1/4"
A6	9 3/4"	11 3/4"	9 15/16"	10"
B1	7 15/16"	9 15/16"	12 7/16"	26 7/8"
B2	7 15/16"	9 15/16"	8 3/16"	6 5/8"

### Metric

	10"x10"	12"x12"	10"x14"	10"x30"
A1	279mm	330mm	389mm	800mm
A2	279mm	330mm	286mm	286mm
A3	46mm	46mm	46mm	46mm
A4	16mm	16mm	16mm	16mm
A5	248mm	298mm	357mm	768mm
A6	248mm	298mm	254mm	254mm
B1	202mm	252mm	316mm	683mm
B2	202mm	252mm	208mm	168mm

### Expanded View



### Components

**Tray:** Powder coated surface to be finished with paint or wallpaper. Can slide and remove to access air flow dampers.

**Body:** Framed edge for quick and easy drop-in installation. No mudding or sanding required.

### Air Flow Control

Air flow can be controlled at any time after install. Slide tray to access flanges. For optimal airflow open all dampers beyond 90