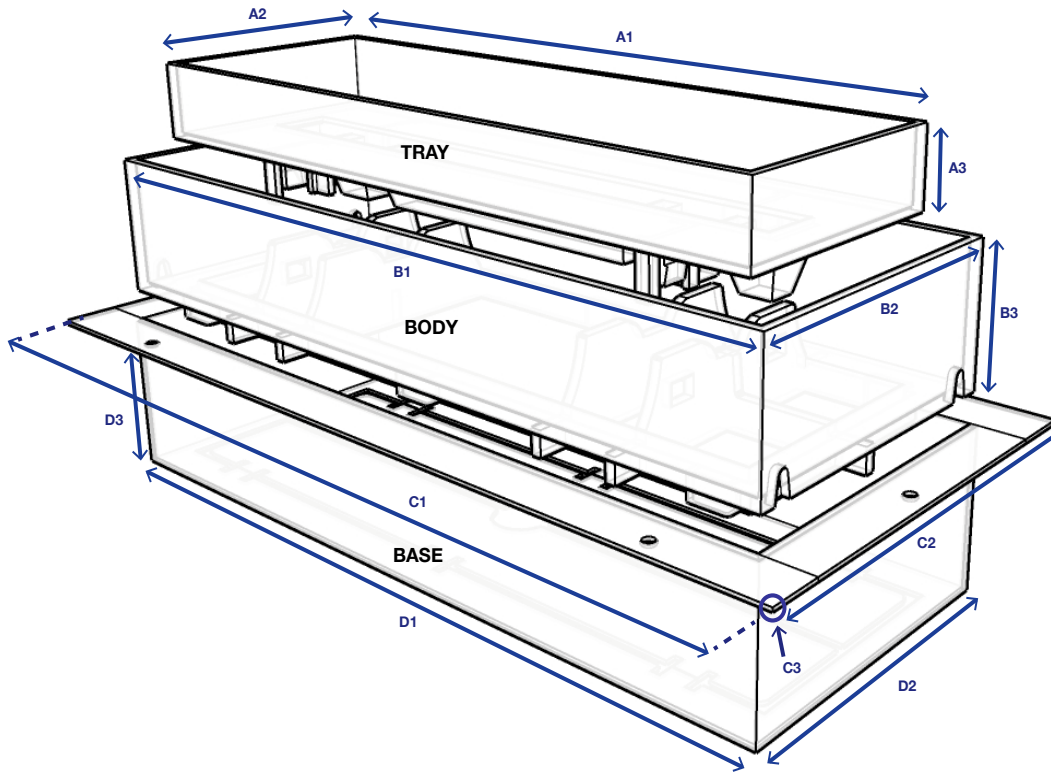




## Flushmount Lite Model Specification Sheet

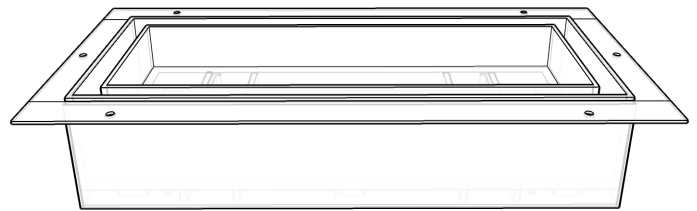
Perspective View (expanded)



Component Dimensions

	3"x10"		4"x10"		4"x12"	
	Inches	MM	Inches	MM	Inches	MM
A1	8 7/8"	279mm	8 7/8"	279mm	10 13/16"	275mm
A2	1 15/16"	50mm	2 7/8"	73mm	2 7/8"	73mm
A3	7/8"	51mm	7/8"	51mm	7/8"	51mm
B1	9 3/4"	248mm	9 3/4"	248mm	11 3/4"	298mm
B2	2 15/16"	74mm	3 13/16"	96mm	3 13/16"	96mm
B3	1 7/8"	48mm	1 7/8"	48mm	1 7/8"	48mm
C1	10 7/8"	276mm	11 1/16"	281mm	13 1/8"	333mm
C2	4"	101mm	5 1/16"	129mm	5"	129mm
C3	1/32"	1mm	1/32"	1mm	1/32"	1mm
D1	9 15/16"	252mm	9 15/16"	252mm	11 7/8"	302mm
D2	3"	76mm	3 7/8"	99mm	3 15/16"	100mm
D3	1 3/4"	44mm	1 3/4"	44mm	1 3/4"	44mm

Side View



**Components**

Tray: Insert finished surface material.

Body: Adjustable to height of floor surface.

Base: Installed before surface material at sub-floor level.

**Install Note**

This unit must be installed before floor or surface, at the sub-floor level. Use your surface material to customize vent.

**Compatible surface materials**

Tile, mosaic, hardwood, laminate, carpet, cork, drywall etc. Material must be 1/8" thick or more. Maximum thickness is 3/4".