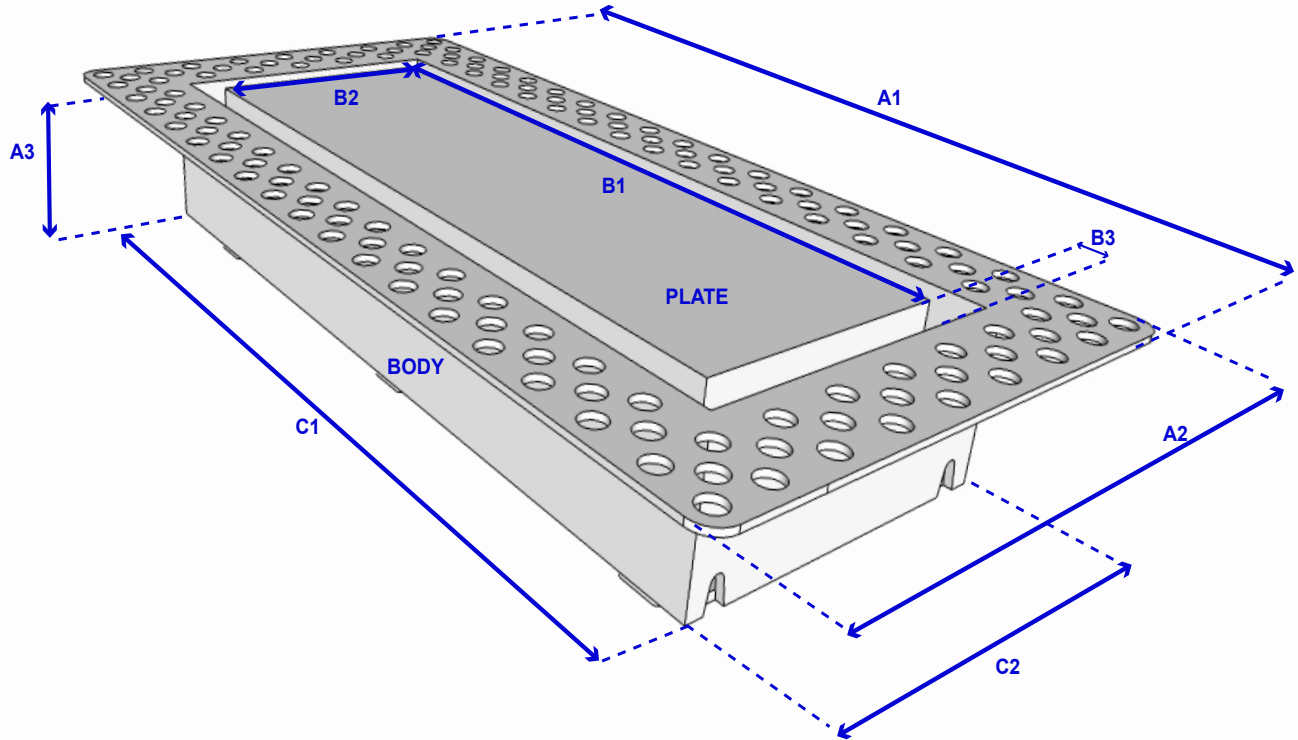




Drywall Lite - Bead Model Specification Sheet

Perspective View



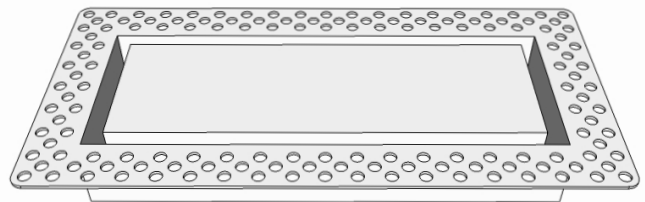
Component Dimensions

Imperial

Metric

	4"X10"		4"X10"
A1	5 3/4"	A1	146mm
A2	11 3/4"	A2	298mm
A3	2"	A3	51mm
B1	8 5/8"	B1	219mm
B2	2 9/16"	B2	65mm
B3	1/2"	B3	13mm
C1	9 3/4"	C1	248mm
C2	3 3/4"	C2	95mm

Side View



Components

Plate: Lightly textured flat plate to be finished with paint or wallpaper.

Body: Drywall bead frame to be fastened and mudding on drywall surface.

Air Flow Control

No air flow control on this model

Size & Colour	4"x10"
White	✓