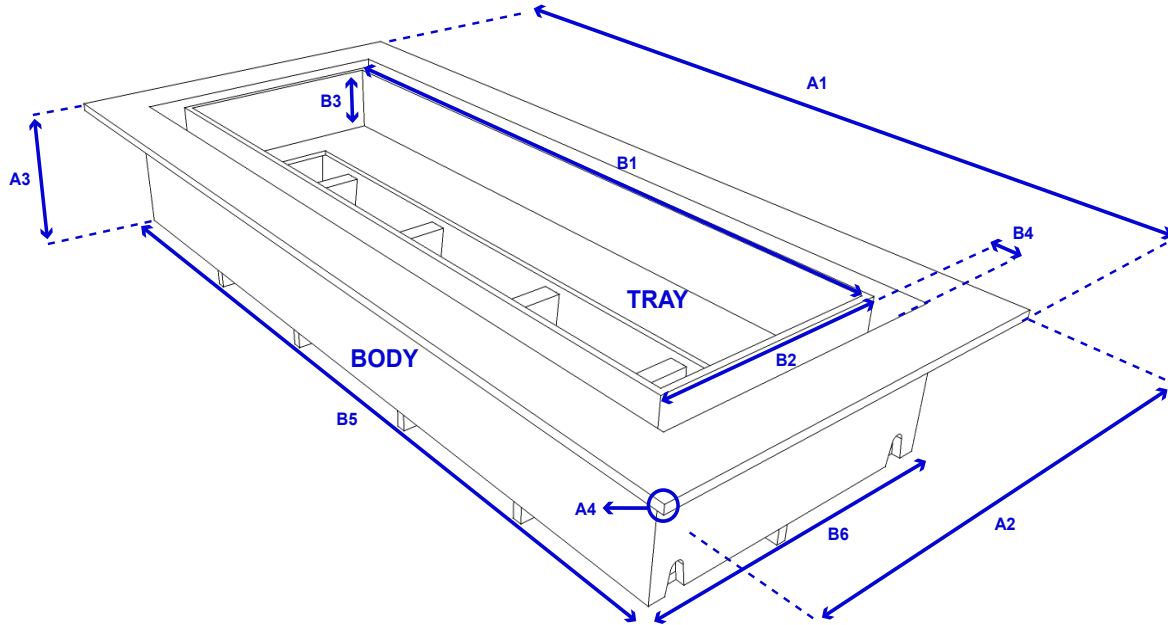


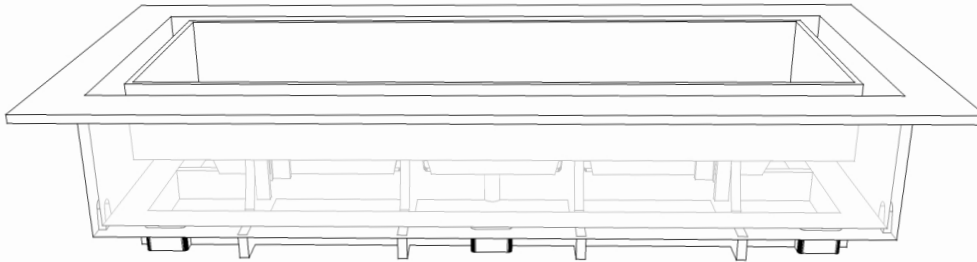


Aria Lite Model Specification Sheet

Perspective View



Side View



Component Dimensions

| Lite | 3"X10" | | 4"X10" | | 4"x12" | |
|------|----------|-------|----------|-------|-----------|-------|
| | Inches | MM | Inches | MM | Inches | MM |
| A1 | 11" | 279mm | 11" | 279mm | 12 7/8" | 327mm |
| A2 | 4" | 102mm | 5" | 127mm | 5" | 127mm |
| A3 | 2" | 51mm | 2" | 51mm | 2" | 51mm |
| A4 | 1/16" | 2mm | 1/16" | 2mm | 1/16" | 2mm |
| B1 | 8 13/16" | 224mm | 8 13/16" | 224mm | 10 13/16" | 274mm |
| B2 | 1 13/16" | 46mm | 2 7/8" | 73mm | 2 7/8" | 73mm |
| B3 | 3/4" | 19mm | 3/4" | 19mm | 3/4" | 19mm |
| B4 | 2 3/64" | 9mm | 2 3/64" | 9mm | 2 3/64" | 9mm |
| B5 | 9 3/4" | 248mm | 9 3/4" | 248mm | 11 5/8" | 275mm |
| B6 | 2 7/8" | 73mm | 3 3/4" | 95mm | 3 3/4" | 95mm |

Components

Tray: Insert finished surface material.

Body: The outer shell of the vent that houses the tray.

Install Note

This unit can be retrofitted and installed after the finish surface. Use your surface material to customize vent.

Compatible Surface Materials

Tile, mosaic, hardwood, laminate, carpet, cork, drywall etc. Can be installed on floors, wall and ceiling vents.