



INNOVATECH PRODUCTS & EQUIPMENT. 4701 Allmond Ave, Louisville, KY 40209, USA  
Telephone: 1-425-405-9100

## Floor Grinders

**P550Y / P650Y / P750Y**

**Owner's and Parts Manual**



[www.BARTELLGLOBAL.com](http://www.BARTELLGLOBAL.com)



www.BARTELLGLOBAL.com

**Bartell Morrison Inc.**  
170 Traders Boulevard E  
Mississauga, Ontario, Canada  
L5T 3A7  
Tel: (647) 953-4100  
Fax: (647) 953-4101

**Bartell Morrison USA LLC**  
200 Commerce Drive, Unit A  
Freehold, NJ, USA  
07728  
Tel: (848) 225-8100  
Fax: (848) 225-8101

**SPE International Ltd**  
Honeyholes Lane  
Dunholme, Lincoln, England  
LN2 3SU  
Tel: 01673 860709  
Fax: 01673 861119

**Innovatech**  
4701 Allmond Ave  
Louisville, Kentucky, USA  
40209  
Tel: (425) 405-9100  
Fax: (425) 405-9101

ORIGINAL LANGUAGE OPERATING MANUAL FOR  
BARTELL FLOOR GRINDERS

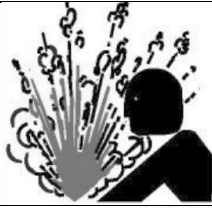
© 2021 Bartell Morrison Inc.

No part of this work may be reproduced or transmitted in any form or by any means, electronic or mechanical, including photocopying and recording, or by any information storage or retrieval system without the prior written permission of Bartell Morrison Inc. unless such copying is permitted by federal copyright laws.

Address inquiries or reference permissions care of: Bartell Morrison Inc., 170 Traders Blvd.E, Mississauga, Ontario, Canada L5T 3A7

REV.	DATE	DESCRIPTION	APPROVED BY:
0	10/18	Initial release	EC
1	12/21	Added flange assem parts list	AN

## SAFETY PRECAUTIONS



### **DANGER** **EXPLOSION HAZARD**

Never operate the machine in an explosive atmosphere, near combustible materials, or where ventilation does not clear exhaust fumes.



### **WARNING** **BURN HAZARD**

Never come into contact with the engine or muffler when engine is operating or shortly after it is turned off. Serious burns may occur.



### **WARNING** **ROTATING HAZARD**

Never place hands or feet inside safety guard rings. Serious injury will result from contact with rotating blades.



### **CAUTION** **MOVING PARTS**

Before starting the machine, ensure that all guards and safety devices are in place and functioning properly.



### **ATTENTION** **READ OWNER'S MANUAL**

Read and understand owner's manual before using this machine. Failure to follow operating instructions could result in serious injury or death.

## **TABLE OF CONTENTS**

<b>1.</b>	<b><u>ABOUT THIS MANUAL</u></b>	<b>4</b>
<b>2.</b>	<b><u>IMPORTANT SAFETY INSTRUCTIONS</u></b>	<b>4</b>
○	<b>SAFETY GUIDE</b>	<b>4</b>
○	<b>PRECAUTIONS</b>	<b>4</b>
<b>3.</b>	<b><u>TECHNICAL SPECIFICATIONS</u></b>	<b>5</b>
<b>4.</b>	<b><u>STARTUP PREPARATION</u></b>	<b>5</b>
<b>5.</b>	<b><u>OPERATING INSTRUCTIONS</u></b>	<b>6</b>
<b>6.</b>	<b><u>MAINTENANCE</u></b>	<b>6</b>
<b>7.</b>	<b><u>TROUBLESHOOTING</u></b>	<b>7</b>
<b>8.</b>	<b><u>PARTS BREAKDOWN</u></b>	<b>8</b>
<b>9.</b>	<b><u>WARRANTY</u></b>	<b>20</b>
	<b><u>DECLARATION OF CONFORMITY</u></b>	<b>21</b>

## **1. About This Manual**

This Manual contains the information and procedures to assist you to operate and maintain the P550Y, P650Y and P750Y floor grinder safely and correctly. Read this Manual before you operate or service the equipment. If you need additional information or assistance, please get in touch with our Customer Service Department:

Innovatech Products & Equipment Co.  
4701 Allmond Ave  
Louisville, KY 40209  
(425) 402-1881 or 800-267-6682  
Fax (425) 402-8547  
Email: [service@InnovatechProducts.com](mailto:service@InnovatechProducts.com)

## **2. Important Safety Instructions**

### **Safety Guide**

- The operator must wear waterproof and insulating work shoes and gloves.
- The external power cable must be 6-gauge wire (for the P750Y) or 8-gauge wire (P650Y & P550Y) and connected with the earth wire for electrical shock prevention.
- Make sure the power cables are not damaged or showing significant signs of wear.
- When wet grinding, waterproof protection should be installed for the water tank, inverter and control panel for preventing equipment failure and personal injury.
- Make sure not to run over the power cables while operating the machine. Doing so could result in equipment failure and personal injury.
- In all instances, make sure to have dry hands before inserting plugs to prevent injuries and/or death from electric shock.

### **Precautions**

- After dry or wet grinding, completely clean the tooling and grinding plates to increase the service life of your machine.
- Only dry grind while connected to a vacuum cleaner, so as to ensure dust-free operation. This will also decrease the load on the inverter.
- In the process of replacing consumables and transporting, please be sure to put down the equipment gently to prevent damage and oil leakage from the gearbox. Lifting handles are provided if one person can't easily carry the equipment alone.
- In a certain range of output frequency, the frequency inverter may produce a resonance which will cause the equipment to stop working. If such an event happens, avoid that resonant frequency.
- When grinding on a floor with large differences in floor height, be sure to grind from high to low to prevent damaging the grinding plates and gearbox.

### 3. Technical Specifications

Model	P550Y	P650Y	P750Y
<b>Voltage</b>	220V	220V	380V
<b>Motor</b>	5HP, 3.7Kw	7.5HP, 5.6Kw	15HP, 11.2Kw
<b>Current (A)</b>	17.6	22	22.3
<b>Phase</b>	1-Phase	1-Phase	3-Phase
<b>Inverter</b>	5HP, 3.7Kw	15HP, 11.2Kw	15HP, 11.2Kw
<b>Frequency</b>	50/60HZ	50/60HZ	50/60HZ
<b>Twist Lock Plug</b>	30Amp NEMA L6-30P	50Amp CS8265C	50Amp CS8265C
<b>Disc speed</b>	0-1500rpm	0-1500rpm	0-1620rpm
<b>Head Speed (rpm)</b>	0-2000	0-1200	0-1800
<b>Display</b>	LED Digital RPM	LED Digital RPM	LED Digital RPM
<b>Drive</b>	Steel Gear	Steel Gear	Steel Gear
<b>Grinding width</b>	550mm 21.7inm	650mm 25.7in	750mm 29.5in
<b>Disc diameter</b>	230x3, 9inX3	250x3, 9.8inX3	250x3, 9.8inX3
<b>Water-tank</b>	30L, 7.9 gal	30L, 7.9 gal	30L, 7.9 gal
<b>Vacuum Port</b>	50mm, 2in	50mm, 2in	50mm, 2in
<b>Dimensions- in (mm)</b>	38.2inX21.7inX33.5in	38.2inX25.7inX37.4in	38.2inX29.5inX41.3in
	970x550x850	970x650x950	970x750x1050
<b>Weight</b>	180KG, 369lb	300KG, 660lb	330KG, 726lb
<b>Additional Weight</b>	Included	Included	Included
<b>Handle</b>	Adjustable	Adjustable	Adjustable
<b>Lifting Hooks</b>	No	Yes	Yes
<b>Work Light</b>	Bright LED	Bright LED	Bright LED
<b>Tooling Plate</b>	Slide Mag / 3 Hole	Slide Mag / 3 Hole	Slide Mag / 3 Hole
<b>Oil capacity- gal (L)</b>	1.32 (5)	1.85 (7)	2.11(8)

### 4. Startup Preparation

- 1) Ensure the power switch is in the off position.
- 2) Lean the machine backwards until it is safely resting on the ground to attach the grinding tools.
- 3) Ensure the tooling is secured tightly before lifting the machine back into its upright position.
- 4) Adjust the angle of the main handle arm by pulling the swing arm and rotating the main handle to the one of the positions on the
- 5) Tighten the handle by rotating it clockwise to the desired location and then tightening the black rotary handle.

## 5. Operating Instructions

Before starting:

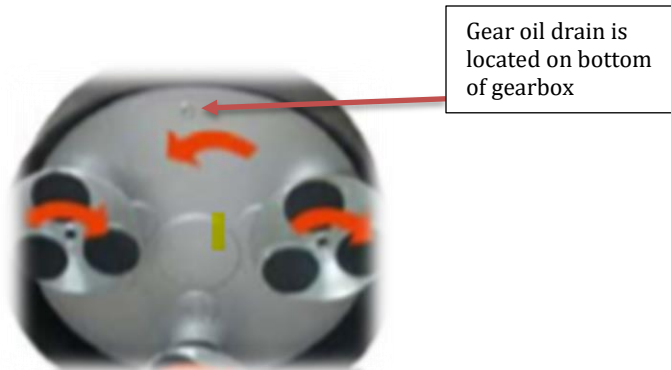
1. Ensure the power switch is in the off position.
2. Check the surrounding area for any loose material including bolts/screws/nails that could get caught in the machine.
3. Lean the machine backwards until it is safely resting on the ground to attach the grinding tools.
4. Connect the power supply, checking that the display on the inverter box is not displaying any errors and is giving a voltage reading within the expected range.
5. If you are dry grinding, connect the appropriate vacuum and start the vacuum before the grinder.

Starting the machine:

1. Press the green power button on the control panel to start the machine.
2. Turn the rotation knob to "Forward" or "Reverse" to determine the rotation of the gearbox. Note that the grinding heads will rotate in the direction opposite that of the gearbox.

## 6. Maintenance

- When dry-grinding, is it best to use a vacuum hose with a diameter of 50mm.
- Clean the dust filter in the inverter box every 20 days, unless there is no vacuum attached, in which case clean the inverter and filter every 2 days.
- Change the gear oil after grinding 1000 m<sup>2</sup>, 6 months after purchase, and then every 6 months after that. General industrial 150 gear oil is recommended.
- Keep the motor ventilation hole open.
- Do not remove the gearbox by yourself unless in an emergency, contact your seller.



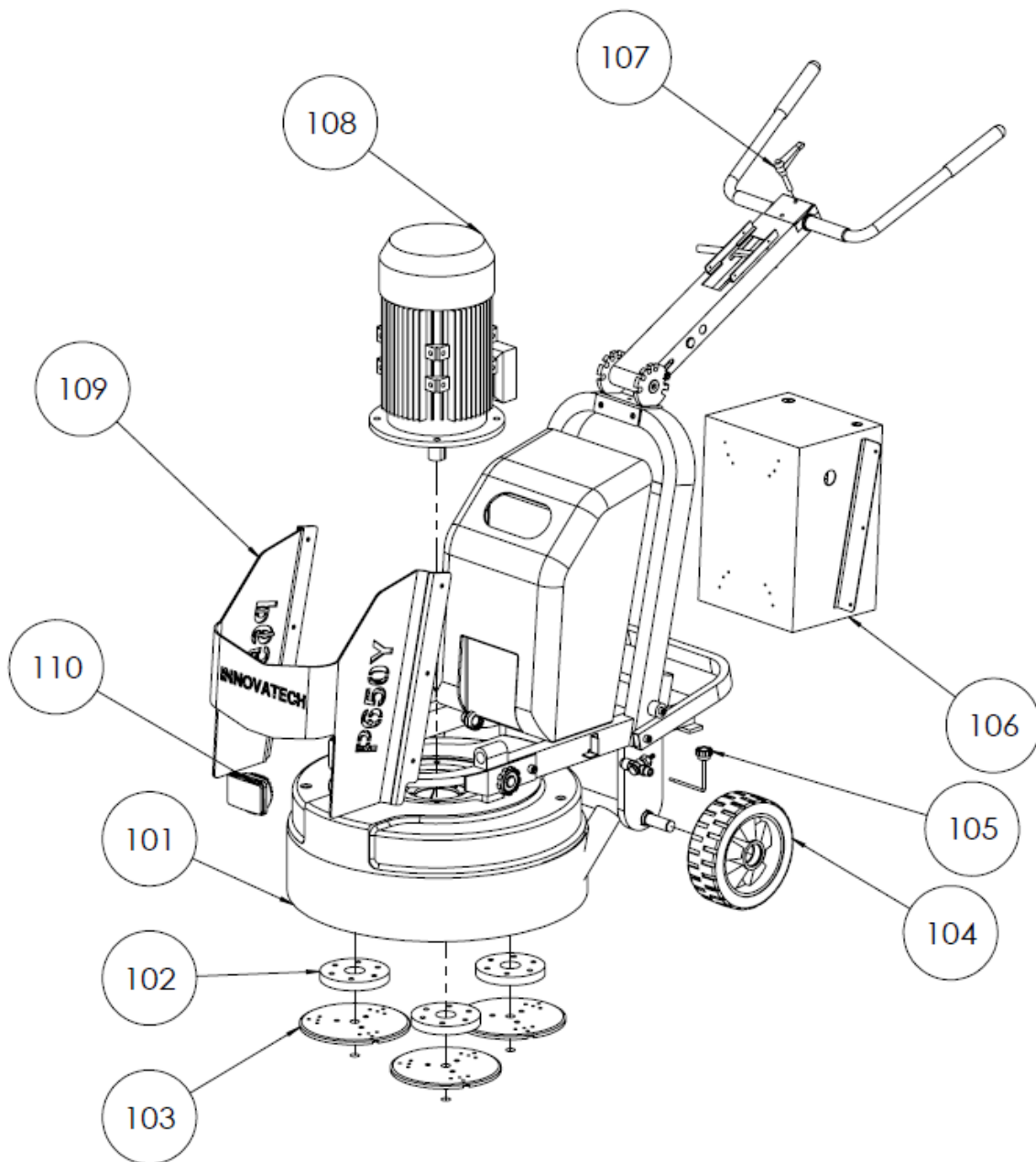




## 8. Parts Breakdown

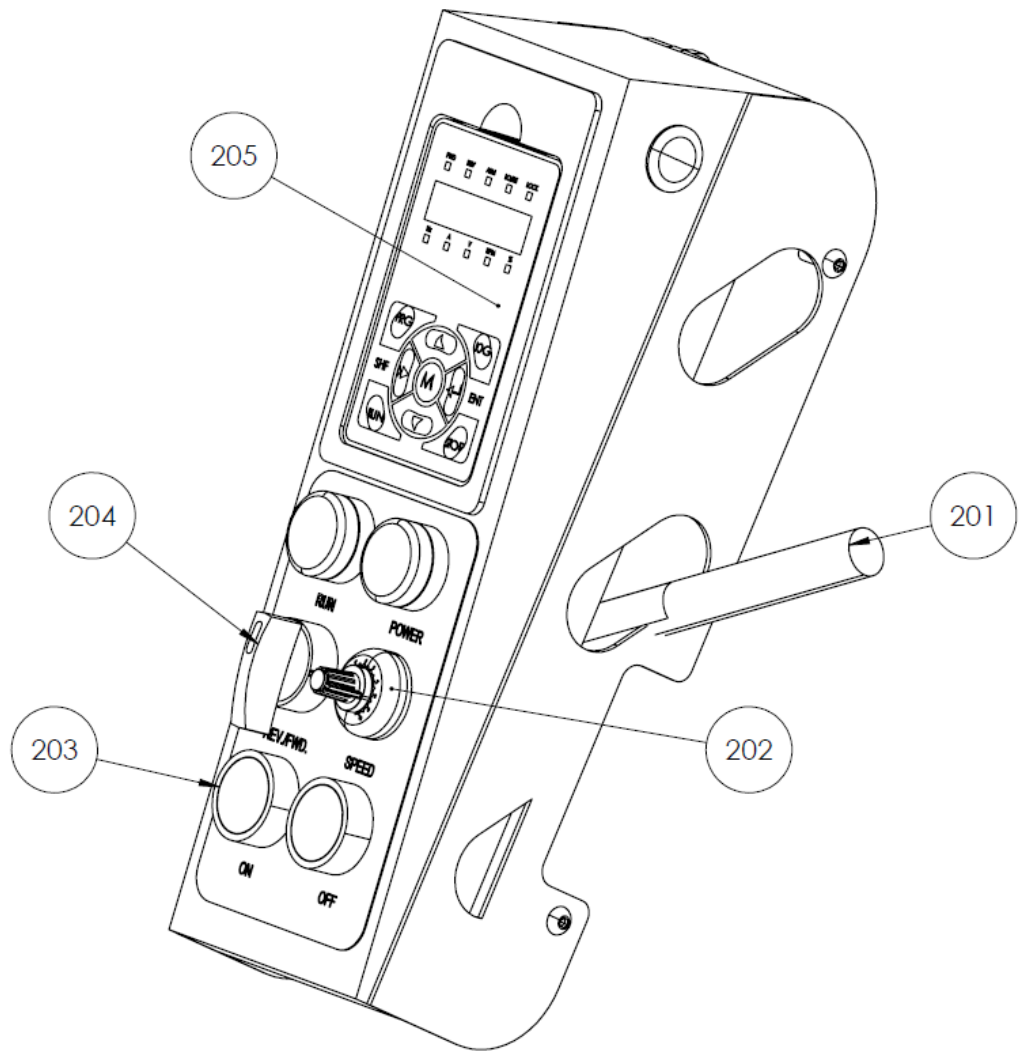
## 01. P550Y Grinder Assembly

Item No.	Part Number	Description	Qty.
101	832-0022	P550Y Plastic Shroud	1
102	832-0006	Rubber Mount	3
103	35003	P550Y Tooling Plate	3
104	832-0010	P550Y Wheel	2
105	832-0011	Water Valve	1
106	832-0013	P550Y Inverter	1
107	832-0009	P550Y Handle Adjustment Screw	1
108	832-0025	P550Y Motor, 3.7 kW	1
109	832-0037	P550Y Metal Cage	1
110	832-0021	Head Light	1



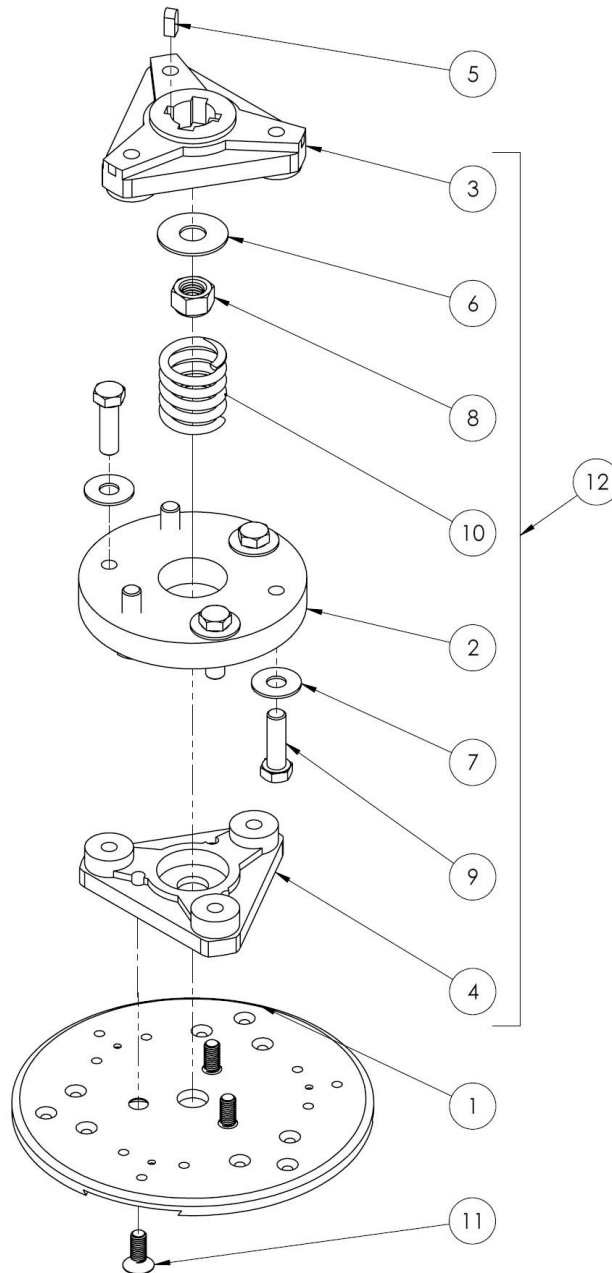
## 02.P550Y Control Box

Item No.	Part Number	Description	Qty.
201	832-0028	Operator Handle 550Y	1
202	832-0004	Speed Button	1
203	832-0002	Instruction Button- Set of 2- Red/Green	2
204	832-0003	Reversible Button	1
205	832-0016	Inverter Display	1
206	832-0001	Without Inverter Display	N/A



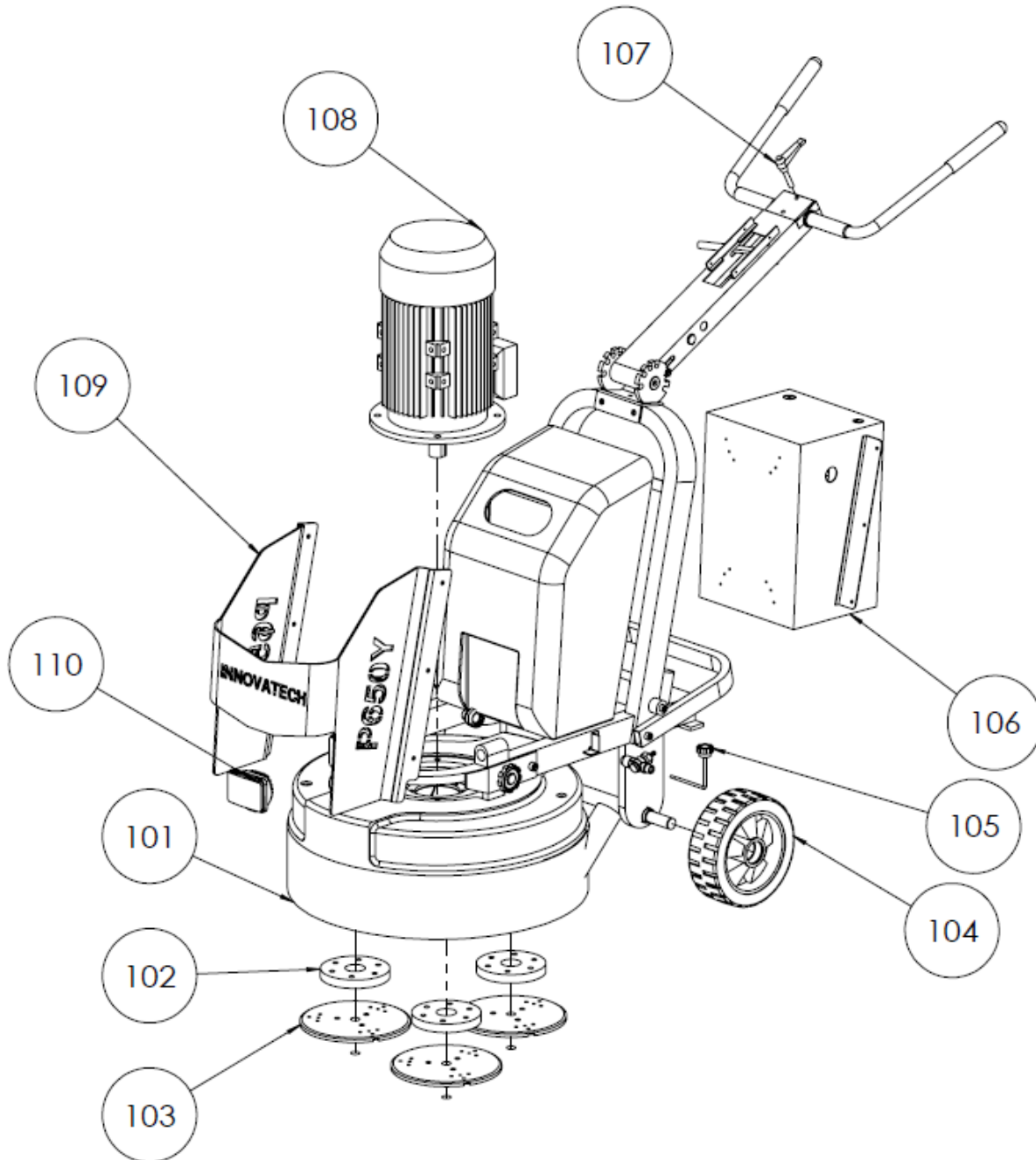
### 03.P550Y Head Flange Assembly

Item No.	Part Number	Description	Qty.
1	35003	P550 Tooling Plate	1
2	35832-0006	Rubber Mount	1
3	35832-0050	Upper Flange	1
4	35832-0051	Lower Flange	1
5	35832-0069	Key, 8mm x 7mm x 17mm	2
6	35832-0070	Washer, 17mm ID, 45mm OD	1
7	12930	Washer, 7/16" Diameter	6
8	60138	Locknut, M16-2.0	1
9	10955	HHCS, M12-1.25 x 40mm	6
10	35832-0060	Spring	1
11	35201	FHSCS, M10-1.5 x 25mm	3
12	35832-0064	P550 Flange Assembly	1



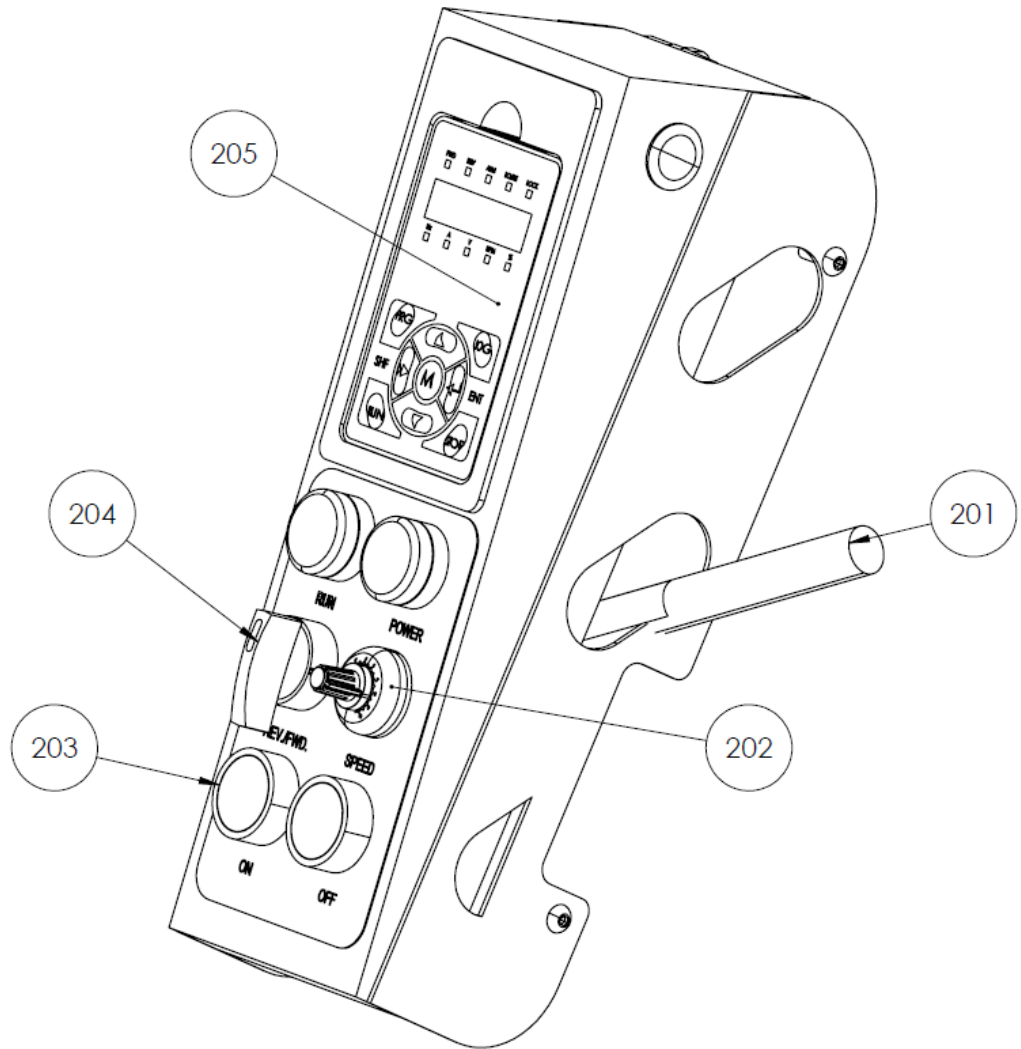
## 01.P650Y Grinder Assembly

Item No.	Part Number	Description	Qty.
101	832-0023	P650Y Plastic Shroud	1
102	832-0006	Rubber Coupler	3
103	35004	P650Y Tooling Plate	3
104	832-0012	P650Y Wheel	2
105	832-0011	Water Valve	1
106	832-0014	P650Y Inverter	1
107	832-0009	P650Y Handle Adjustment Screw	1
108	832-0026	P650Y Motor, 7.5 kW	1
109	832-0038	P650Y Metal Cage	1
110	832-0021	Headlight	1



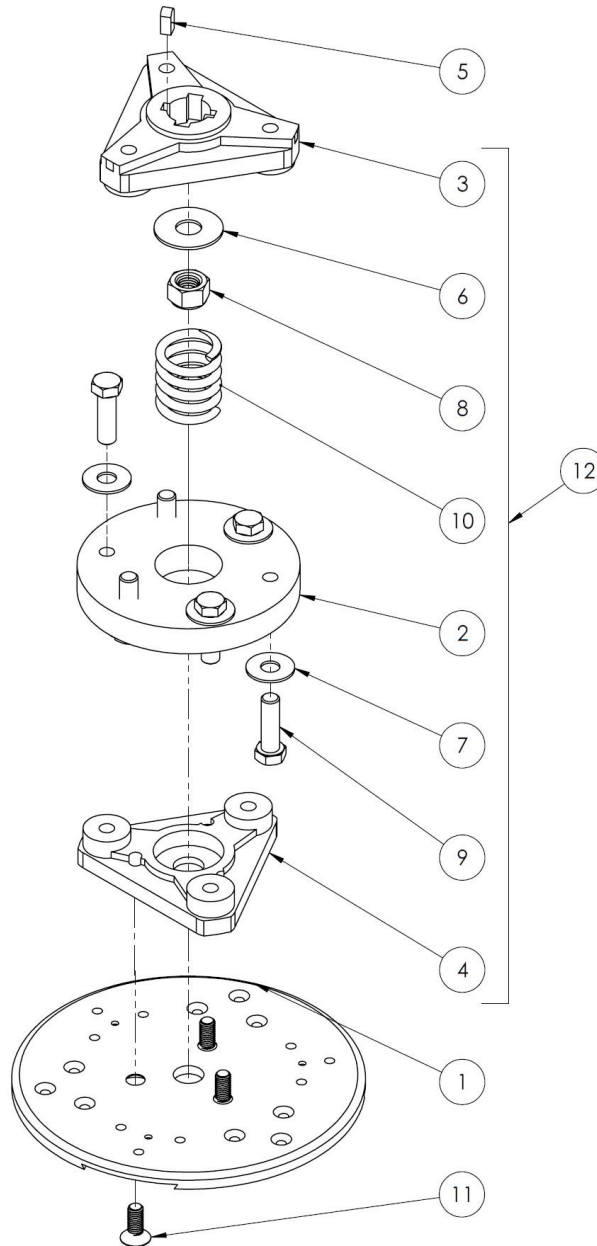
## 02.P650Y Control Box

Item No.	Part Number	Description	Qty.
201	832-0029	Operator Handle 650Y	1
202	832-0004	Speed Button	1
203	832-0002	Instruction Button- Set of 2- Red/Green	2
204	832-0003	Reversible Button	1
205	832-0016	Inverter Display	1
206	832-0001	Without Inverter Display	N/A



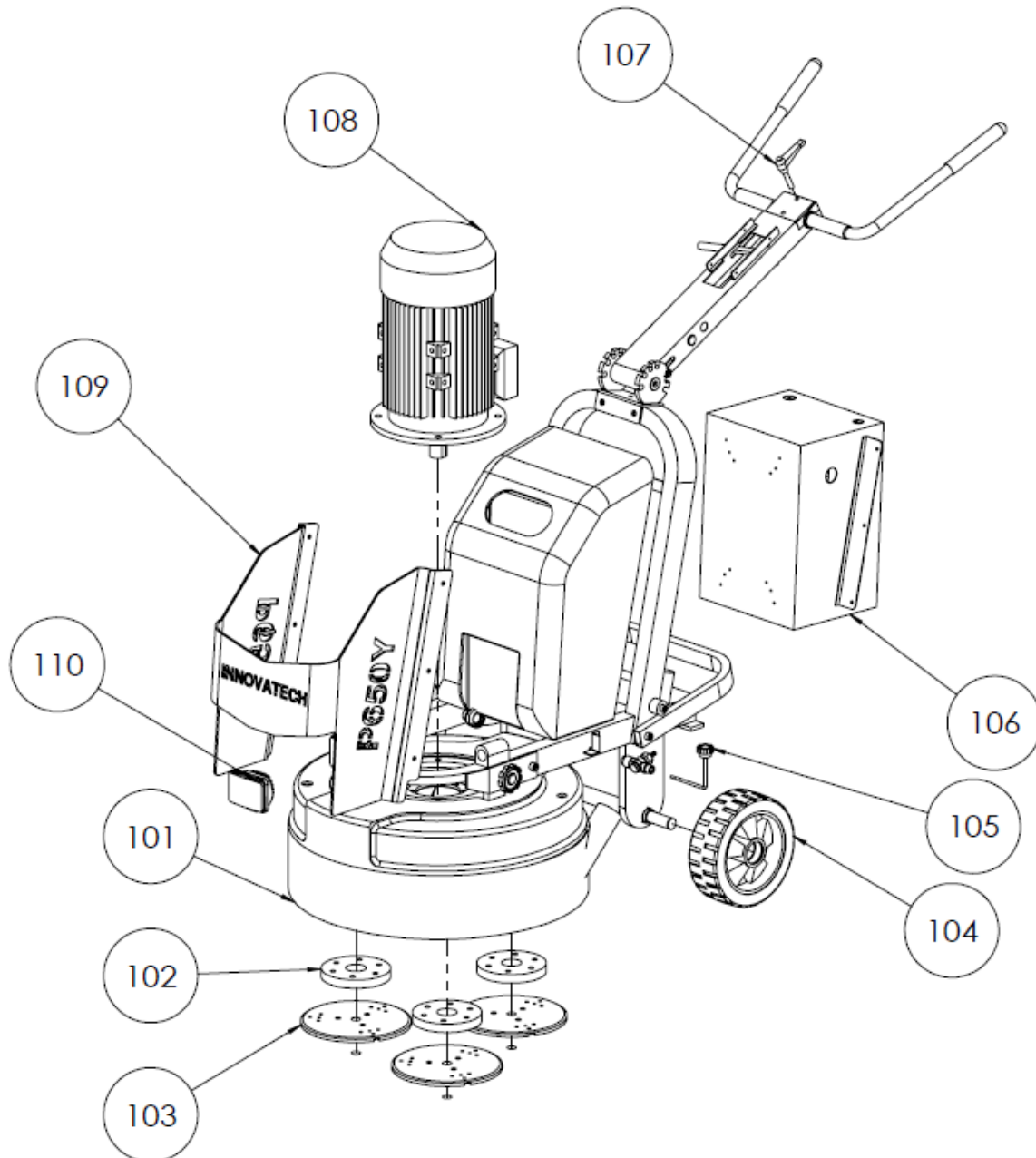
### 03.P650Y Head Flange Assembly

Item No.	Part Number	Description	Qty.
1	35004	P650/750 Tooling Plate	1
2	35832-0006	Rubber Mount	1
3	35832-0050	Upper Flange	1
4	35832-0051	Lower Flange	1
5	35832-0069	Key, 8mm x 7mm x 17mm	2
6	35832-0070	Washer, 17mm ID, 45mm OD	1
7	12930	Washer, 7/16" Diameter	6
8	60138	Locknut, M16-2.0	1
9	10955	HHCS, M12-1.25 x 40mm	6
10	35832-0060	Spring	1
11	35201	FHSCS, M10-1.5 x 25mm	3
12	35832-0064	P650 Flange Assembly	1



## 01.P750Y Grinder Assembly

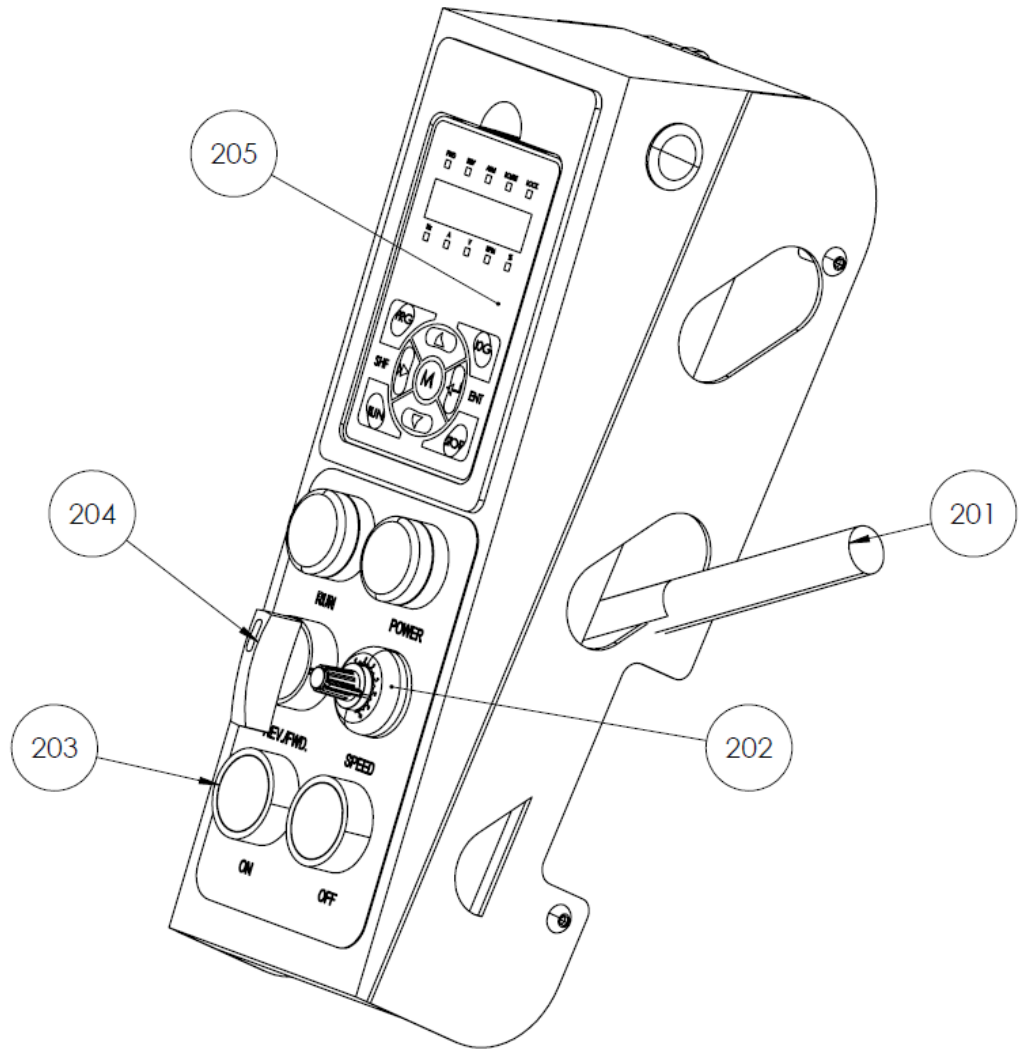
Item No.	Part Number	Description	Qty.
101	832-0024	P750Y Plastic Shroud	1
102	832-0005	Rubber Mount	3
103	35004	P750Y Tooling Plate	3
104	832-0012	P750Y Wheel	2
105	832-0011	Water Valve	1
106	832-0015	P750Y Inverter	1
107	832-0009	P750 Handle Adjustment Screw	1
108	832-0027	P750Y Motor, 11 kW	1
109	832-0039	P750Y Metal Cage	1
110	832-0021	Headlight	1





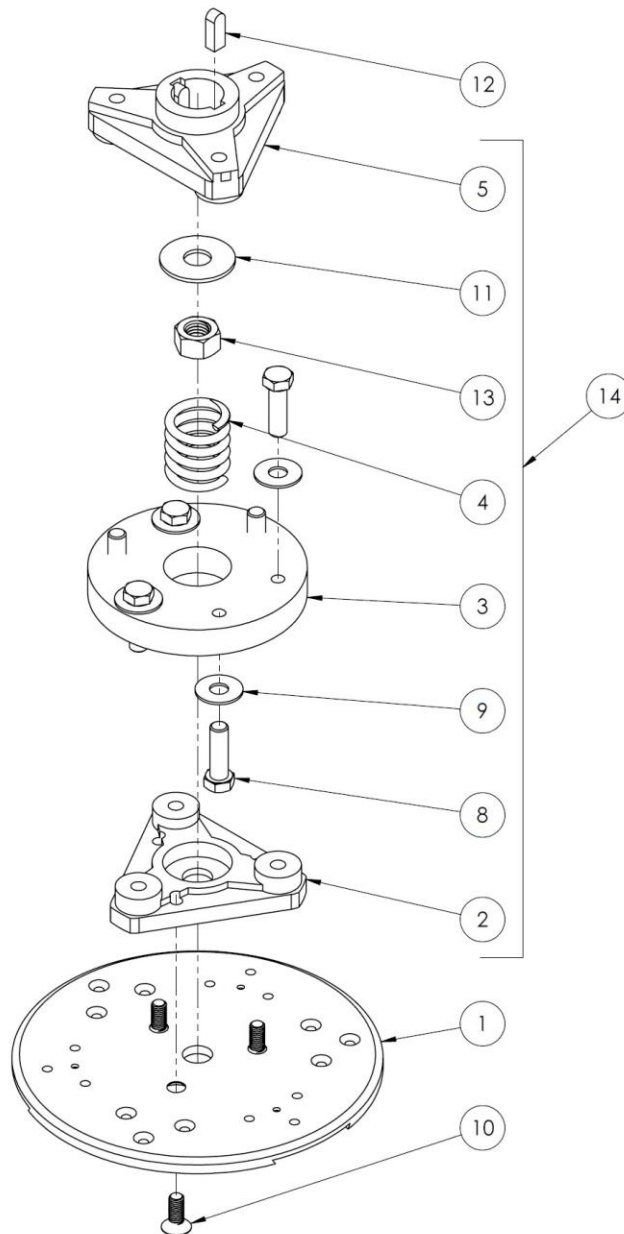
## 02.P750Y Control Box

Item No.	Part Number	Description	Qty.
201	832-0030	Operator Handle 750Y	1
202	832-0004	Speed Button	1
203	832-0002	Instruction Button- Set of 2- Red/Green	2
204	832-0003	Reversible Button	1
205	832-0016	Inverter Display	1
206	832-0001	Without Inverter Display	N/A

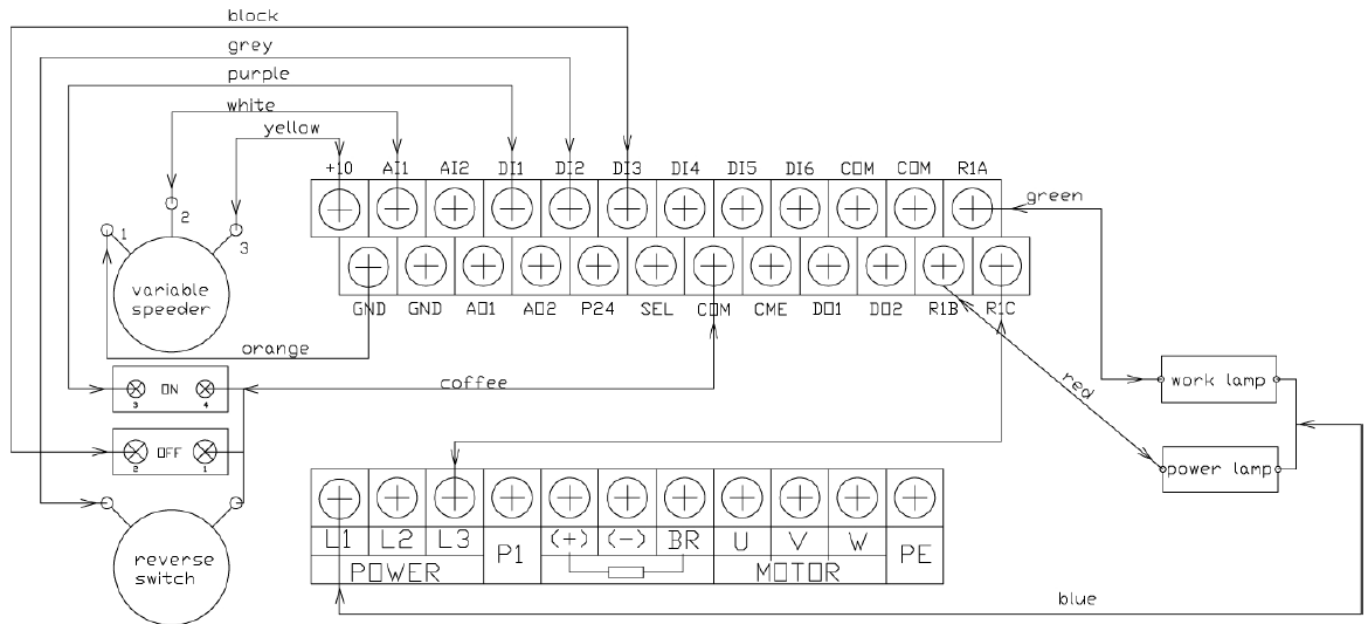


### 03.P750Y Head Flange Assembly

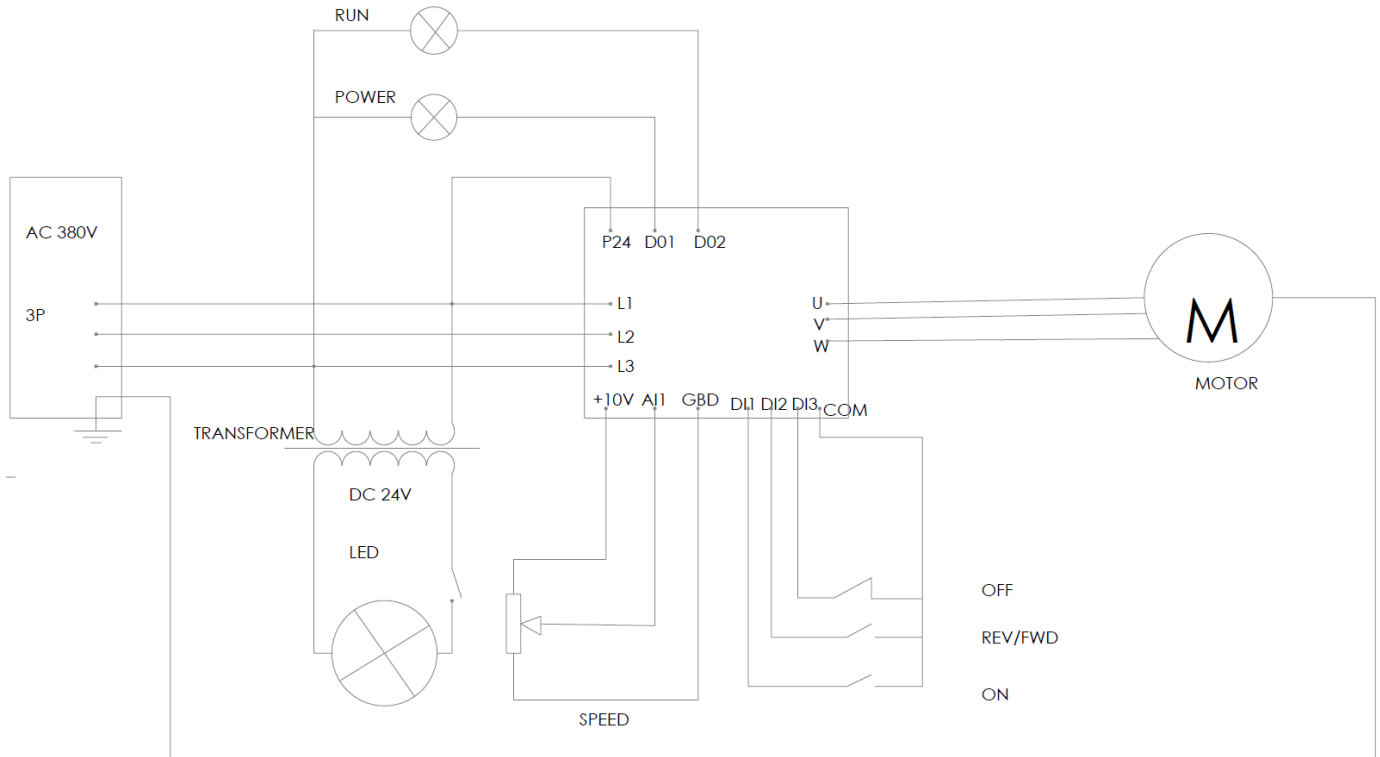
Item No.	Part Number	Description	Qty.
1	35004	P650/750 Tooling Plate	1
2	35832-0062	Lower Flange	1
3	35832-0005	Rubber Mount	1
4	35832-0060	Spring	1
5	35832-0061	Upper Flange	1
8	10955	HHCS, M12-1.25 x 40mm	6
9	12930	Washer, 7/16"	6
10	35201	FHSCS, M10-1.5 x 25mm	3
11	20366	Washer, 18mm ID x 50mm OD	1
12	35832-0071	Key, 10mm x 8mm x 28mm	2
13	31285	Nut, M18	1
14	35832-0063	P750 Flange Assembly	1



## Wiring Diagram P550,P650 1PHASE



## Wiring Diagram P750 3PHASE



## **9. Warranty**

Innovatech warrants to the original buyer, for a period of one (1) year or 300 operating hours (whichever comes first) from the date of delivery, that the Equipment is free from defects in materials and workmanship and that the Equipment conforms to the operating specifications supplied with the Equipment. The foregoing warranty is subject to proper operation and maintenance of the Equipment in accordance with the operating instruction and manual supplied to Buyer with the Equipment.

Warranty claims shall be made by Buyer in writing. Innovatech's sole obligation under the foregoing warranty, where it appears to Innovatech's satisfaction that the defect was present at the time of delivery, is at Innovatech's sole option, to repair, replace or correct any such defect.

EXCEPT AS STATED ABOVE THERE ARE NO WARRANTIES, EXPRESS OR IMPLIED. INNOVATECH EXPRESSLY DISCLAIMS ANY WARRANTY, EXPRESS OR IMPLIED, THAT EQUIPMENT SOLD HEREUNDER IS OF MERCHANTABLE QUALITY OR THAT IT CAN BE USED FOR OR IS FIT FOR ANY PARTICULAR PURPOSE. ANY DESCRIPTION OF THE EQUIPMENT IN THIS AGREEMENT OR IN MANUALS, BROCHURES OR LITERATURE AND ANY USE OF ANY SAMPLE, MODEL OR PROTOTYPE OF THE EQUIPMENT IS FOR THE SOLE PURPOSE OF IDENTIFYING OR ILLUSTRATING THE EQUIPMENT, IS NOT PART OF THE BASIS OF THE AGREEMENT BETWEEN INNOVATECH AND BUYER, AND DOES NOT CONSTITUTE A WARRANTY THAT THE EQUIPMENT, AS SUPPLIED, WILL CONFORM TO ANY DESCRIPTION OR TO ANY SAMPLE, MODEL OR PROTOTYPE. INNOVATECH DISCLAIMS ANY WARRANTY RESPECTING OPERATING CAPACITY OR CAPABILITY OF THE EQUIPMENT OR THE ABILITY OF THE EQUIPMENT TO MEET ANY PARTICULAR NEEDS OF THE BUYER. THE EQUIPMENT IS POWERED TO OPERATE AS STATED IN THE OPERATING SPECIFICATIONS SUPPLIED WITH THE EQUIPMENT, BUT IT IS UNDERSTOOD AND AGREED TO BUY BUYER THAT ACTUAL OPERATING CAPABILITIES VARY UNDER DIFFERENT OPERATING CONDITIONS FOR WHICH INNOVATECH CAN ASSUME NO RESPONSIBILITY.

BUYER'S EXCLUSIVE REMEDY FOR CLAIMS ARISING UNDER THIS AGREEMENT SHALL BE FOR REPAIR OR, AT INNOVATECH'S SOLE OPTION, REPLACEMENT OF ANY ITEM OF DEFECTIVE EQUIPMENT. INNOVATECH'S LIABILITY FOR ANY LOSSES OR DAMAGE, WHETHER ON ACCOUNT OF NEGLIGENCE, BREACH, AND WARRANTY OR OTHERWISE SHALL IN NO EVENT EXCEED THE PURCHASE PRICE OF THE PARTICULAR ITEM OF EQUIPMENT WITH RESPECT TO WHICH SUCH LOSSES OR DAMAGE OCCURRED.

IN NO EVENT WILL INNOVATECH BE LIABLE FOR ANY DAMAGES CAUSED BY BUYER'S FAILURE TO PERFORM BUYER'S RESPONSIBILITIES, OR FOR ANY LOST PROFITS, LOST PRODUCTION, LOSS OF ANTICIPATED PROFITS OF OTHER INCIDENTAL OR CONSEQUENTIAL DAMAGES, EVEN IF INNOVATECH HAS BEEN ADVISED OF THE POSSIBILITY OF SUCH DAMAGES.

IN NO EVENT WILL INNOVATECH BE LIABLE FOR ANY DAMAGES RESULTING FROM ANY CLAIM AGAINST BUYER BY ANY OTHER PARTY.

### **FACTORY SERVICE**

A warranty will not be valid unless a written claim authorization comes with returned parts. Innovatech will not provide for any shipping costs for items returned for repair. To obtain warranty repairs, buyer must prepay shipment and return all warranty parts to Innovatech. Damage occurring during shipment is deemed the responsibility of the carrier and claims should be made directly with such carrier.

It will be the customer's responsibility to pay for any non-warranty replacement parts plus the current hourly labor rates for any work done on any machine or part. Service is available upon request; call Innovatech for current labor rates.

**DECLARATION OF CONFORMITY**  
**CERTIFICAT DE CONFORMITÉ / GELIJKVORMIGHEIDS CERTIFICAAT /**  
**DECLARACIÓN DE CONFORMIDAD / DECLARAÇÃO DE CONFORMIDADE /**  
**DICHIARAZIONE DI CONFORMITA**

**We:** **Innovatech Products**  
4701 Allmond Ave  
Louisville, Kentucky, USA  
40209  
Tel: (425) 405-9100  
Toll Free: (800) 267-6682  
Fax: (425) 405-9108

Declare under our  
relates is in conformity  
Déclarons sous  
conforme aux

sole responsibility that the product to which this declaration  
with the following standard(s) or other normative documents.  
notre responsabilité que le produit cette déclaration est  
normes suivantes ou d'autres documents habituels.

Verklaren onder onze verantwoordelijkheid dat het product naar welke de verklaring verwijst conform de volgende standaards of anders  
gebruikelijke documenten is.

Declaramos bajo nuestra única responsabilidad que el producto en lo que esta declaración concierne, es conforme con la siguiente  
normativa u otros documentos.

Declara sob sua responsabilidade que o produto a quem esta declaração interessar, está em conformidade com os seguintes  
documentos legais ou normas directivas.

Dichiariamo sotto la ns. unica responsabilità che il prodotto al quale questa dichiarazione si riferisce, è fabbricato in conformità ai  
seguenti standard e documenti di normative.

EN 349:1993	Safety of Machinery - Minimum gaps to avoid crushing of parts of the human body.
EN 418:1993	Safety of Machinery - Emergency stop equipment, functional aspects - Principles for design
EN 12100-1:2003	Safety of Machinery - Basic Concepts, general principles for design - Part 1: Basic Terminology, methodology
EN 12100-2:2003	Safety of Machinery - Basic Concepts, general principles for design - Part 2: Technical Principles
EN ISO 4872:1978	Acoustics - Measurement of Airborne noise emitted by construction equipment intended for outdoor use - Method for determining compliance with noise limits.
EN ISO 5349-1:2001	Mechanical vibration. Measurement and evaluation of human exposure to hand-transmitted vibration. General requirements
EN ISO 5349-2:2001	Mechanical vibration. Measurement and assessment of human exposure to hand-transmitted vibration. Practical guidance for measurement at the workplace.

Following the provisions of Directive(s):

Suivant les directive(s) déterminées:

Volgens de vastgestelde richtlijnen:

Siguiendo las directiva(s):

No seguimento das clausulas da Directiva(s):

Seguendo quanto indicato dalla Direttiva(s):

98/37/EC	Machinery Directive
2000/14/EC	Noise Directive
2001/95/EC	General Product Safety Directive
2002/95/EC	Reduction of Hazardous Waste Directive

Technical Characteristics:

Caractéristiques techniques:

Technisch gegevens:

Características Técnicas:

Características Técnicas:

Qualitäts di tecnico:

Model Modéle Type Modelo Modelo Modello	MachineSerial Number Numéro de Série machine Serienummer machine Máquina número de série Numero de serie da maquina Numero di seria la macchina	Engine Serial Number Numéro de Série moteur Serienummer motor Motor número de série Numero de serie do motor Numero di seria la motore	Weight Masse Gewicht Masa Massa Massa
YGRINDERS			

Noise Level Puissance acoustique Geluidniveau Nivel Sonoro Nivel del Ruido	Pressure level Pression acoustique Geluidsdrukniveau Nivel Acustico Pressão Acústica	Vibration level Niveau de vibration Vibratieniveau Nivel de Vibracion Nivel de Vibração
Lwa (dB)	Lpa (Db)	ahv (m/s <sup>2</sup> )

EN Signature of Authorized Person:  
FR Signature de la personne autorisée:  
NL Handtekening van gemachtigd persoon:  
ES Firma de la persona autorizada:  
PT Assinatura de pessoa autorizada:  
IT Firma della persona autorizzata:  
DE Unterschrift der verantwortlichen Person:



Eric Campbell  
Engineering Manager

1/20/2023  
Louisville, Kentucky

# Innovatech™

## BARTELL GLOBAL



Bartell Morrison Inc.  
170 Traders Blvd E  
Mississauga, Ontario, Canada  
L4Z 1W7  
Tel: 1-647-953-4100  
Fax: 1-647-953-4101



Bartell Morrison (USA) LLC  
200 Commerce Drive, Unit A  
Freehold, New Jersey, USA  
07728  
Tel: 1-848-225-8100  
Fax: 1-848-225-8101



Innovatech  
4701 Allmond Ave  
Louisville, Kentucky, USA  
40209  
Tel: 1-425-405-9100  
Fax: 1-425-405-9101



SPE International  
Honeyholes Lane  
Dunholme, Lincoln, UK  
LN2 3SU  
Tel: +44 (0)1673 860709  
Fax: +44 (0)1673 861119

[www.BARTELLGLOBAL.com](http://www.BARTELLGLOBAL.com)